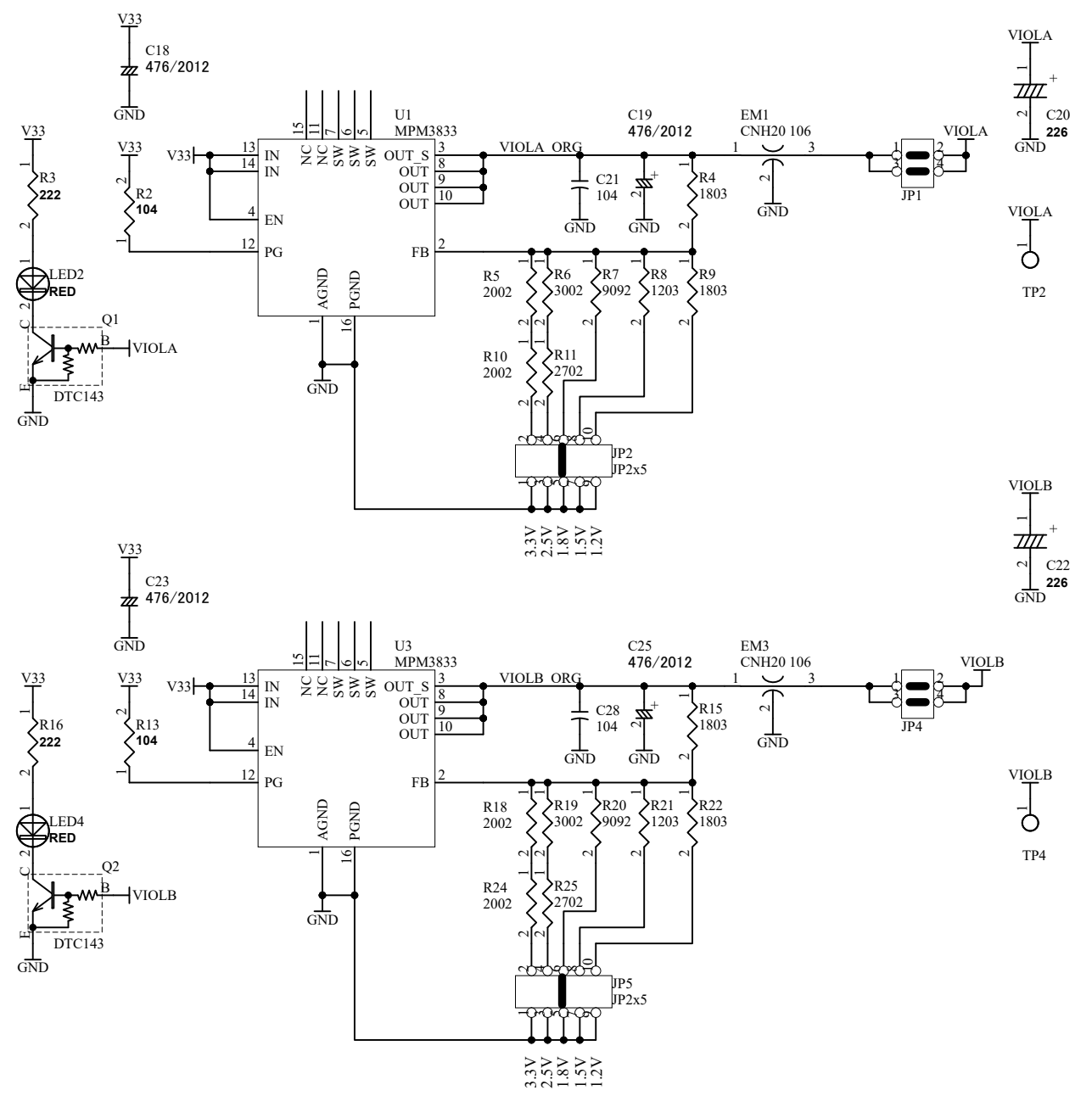
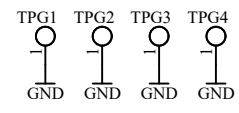
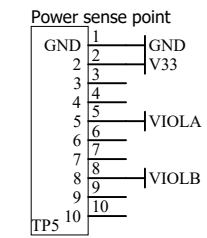
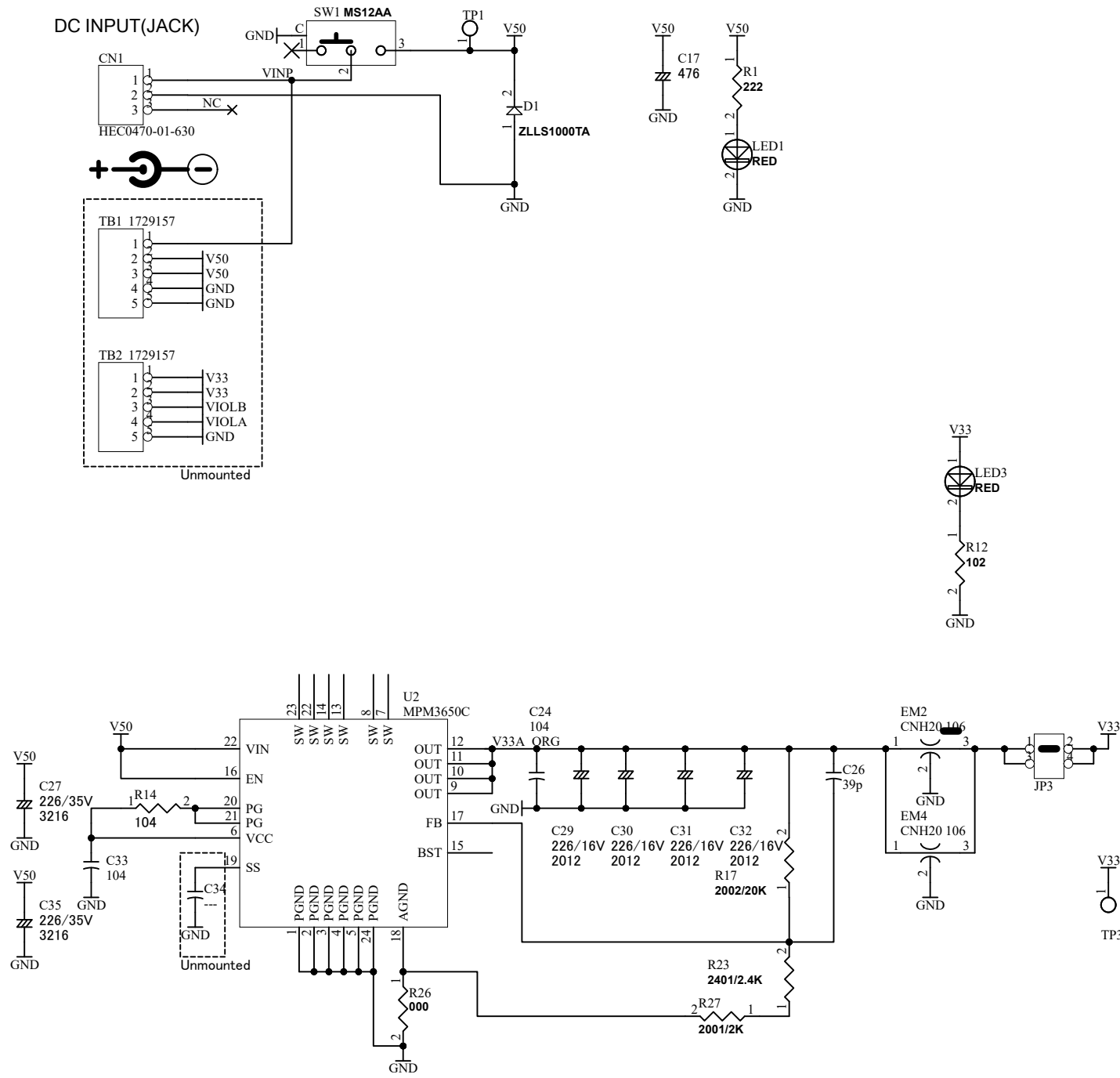


DC INPUT(JACK)



Mounting parts

JP2	ZKB-155	ZKB-155L
JP5	2x5(MAX3.3V)	2x3(MAX1.8V)

U\_CNA  
CNA.SchDoc

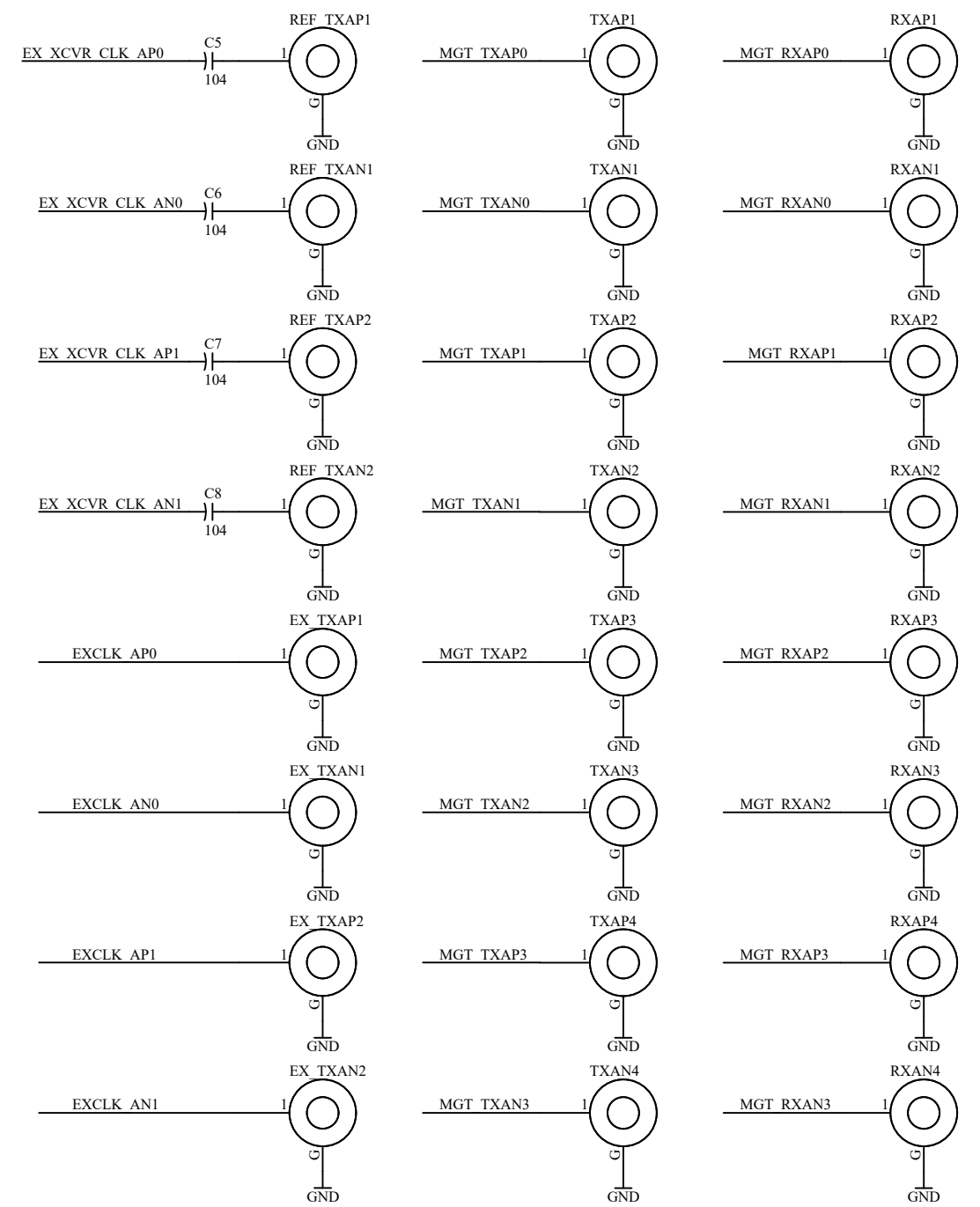
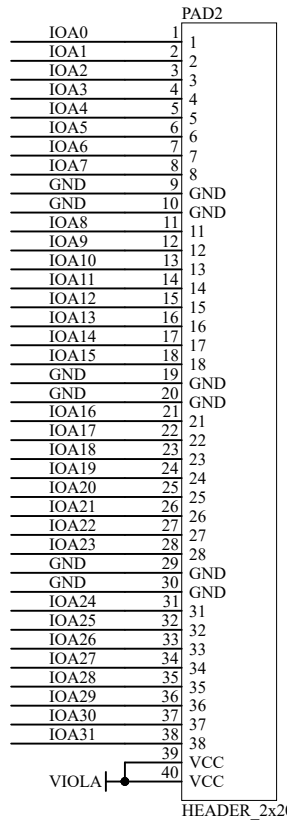
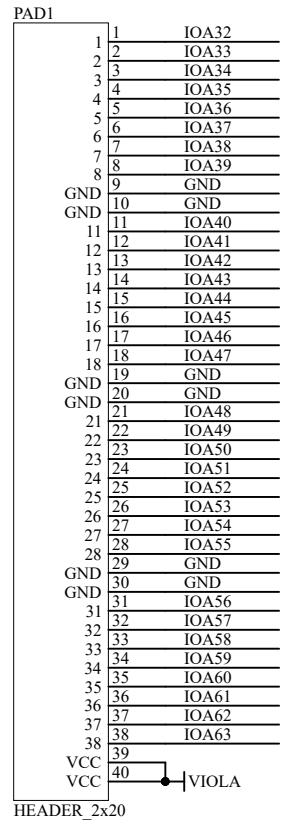
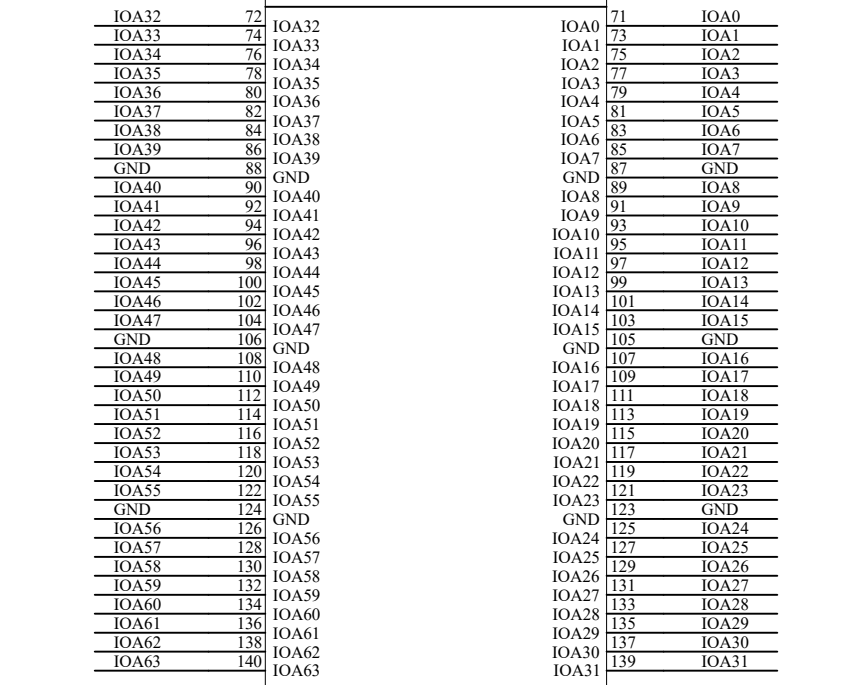
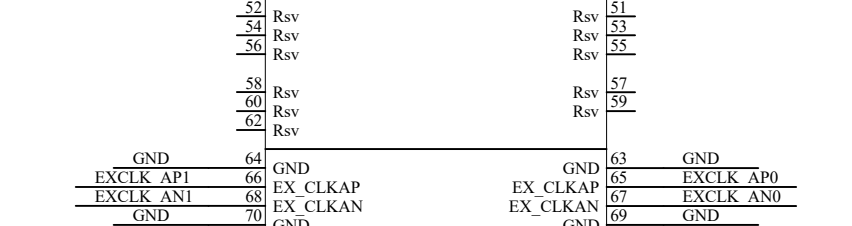
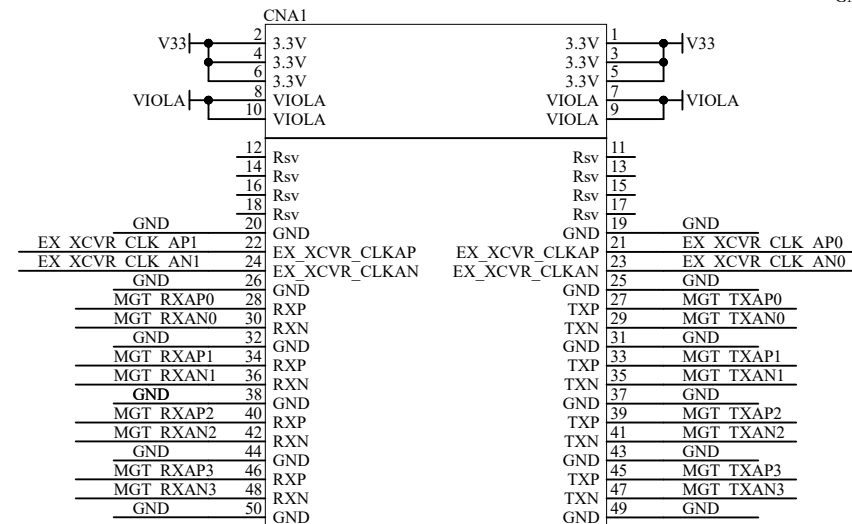
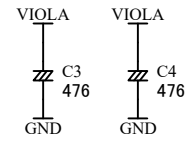
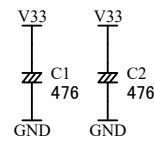
U\_CNB  
CNB.SchDoc

ZKB155\_155LR1-SCH-C.pdf

**HUMAN DATA**  
HuMANDATA LTD.  
[www.hdl.co.jp/](http://www.hdl.co.jp/) (Japan)  
[www2.hdl.co.jp/en/](http://www2.hdl.co.jp/en/) (Global)

DSN:	TITLE: Universal board for ACM/XCM-5/5L series
DOC. No:	<b>ZKB-155/155L</b> <b>C</b>
FILE: ZKB155C.sch	DATE: 2023/04/25 12:01:40
Sheet: 1 / 3	

GND GND



GND | GND

