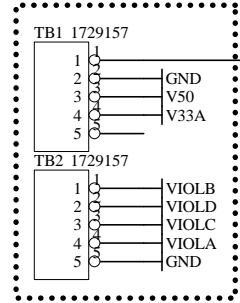
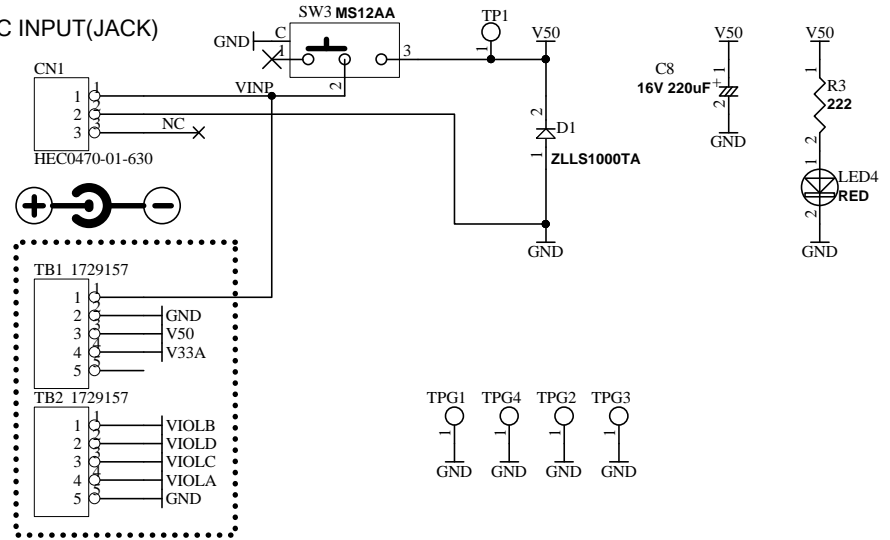
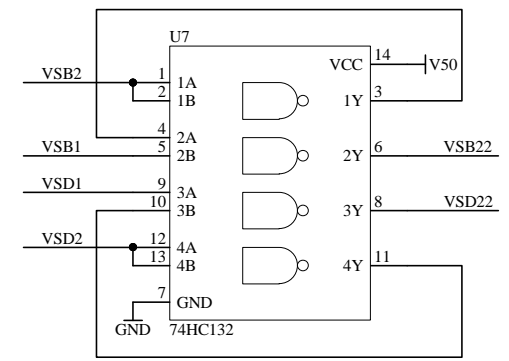
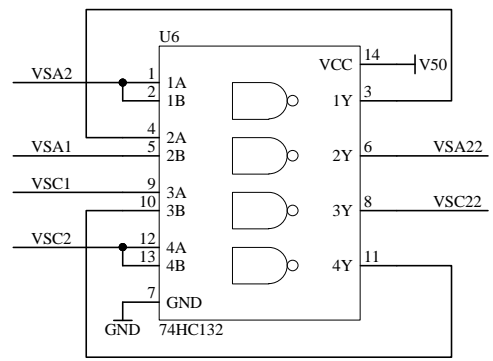
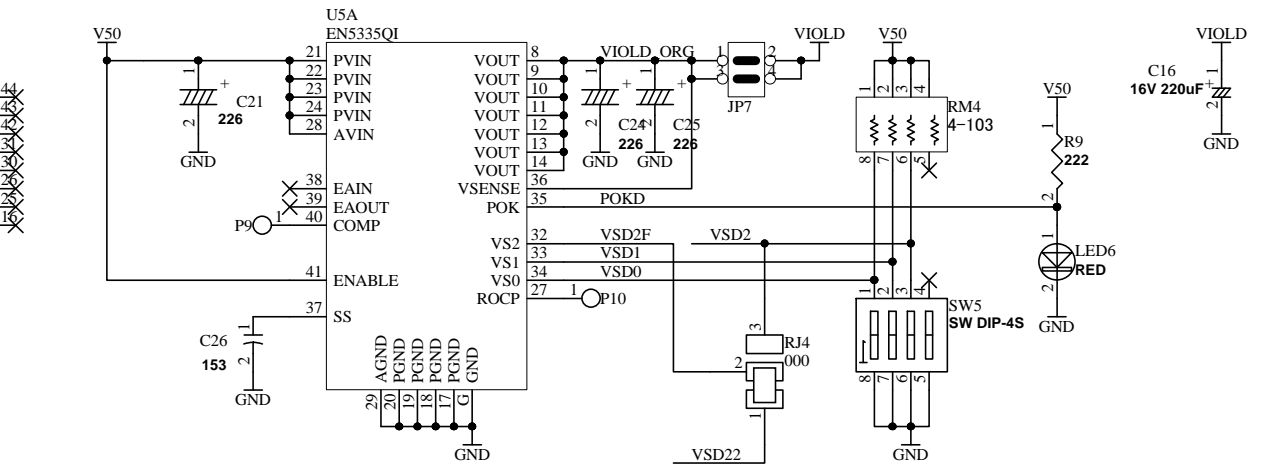
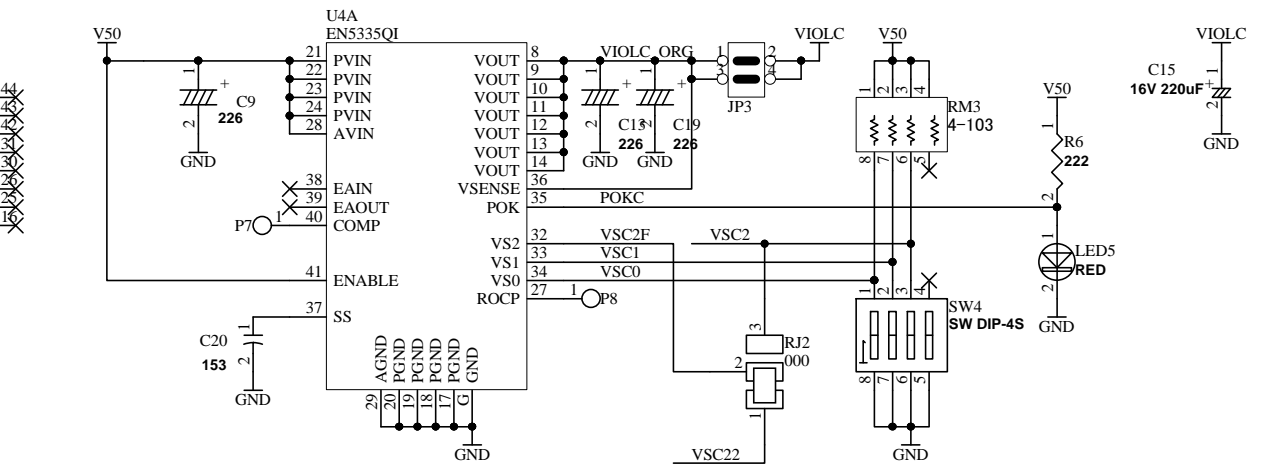
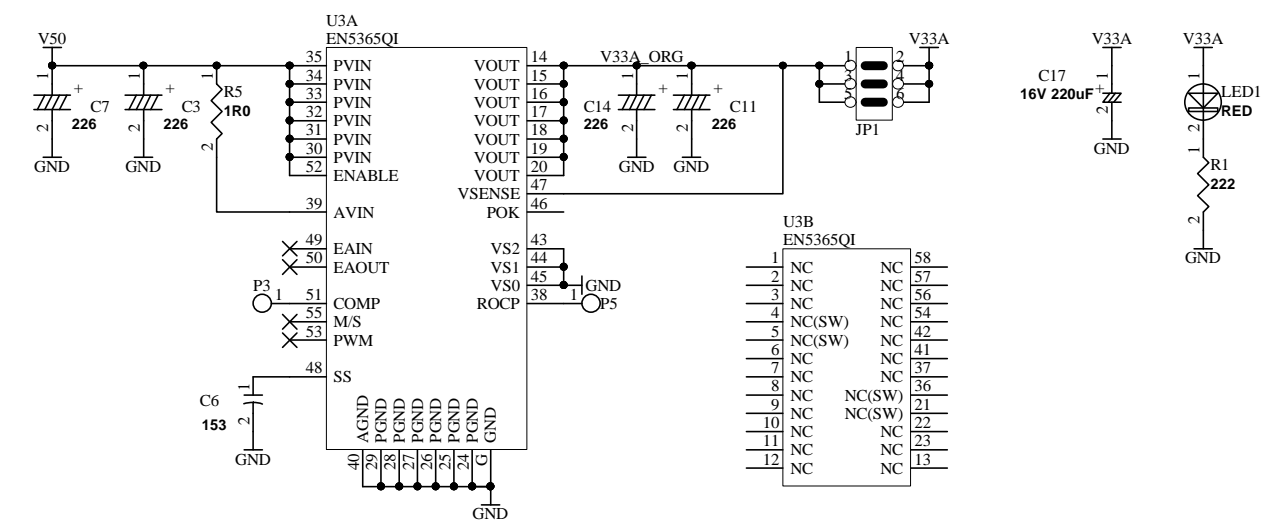
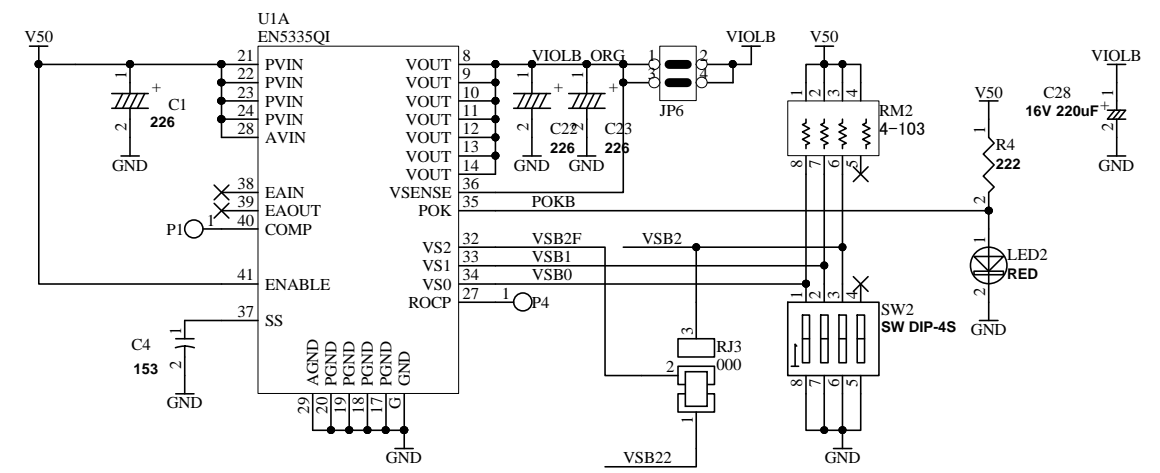
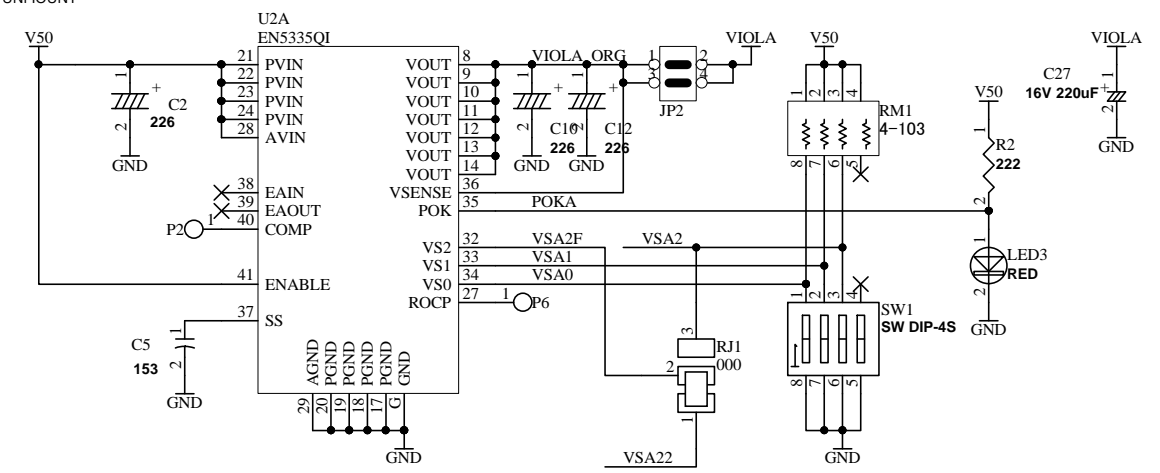


G1
PARTS

DC INPUT(JACK)



UNMOUNT



U_CNAB
CNAB.SchDoc

U_CNCD
CNCD.SchDoc

ZKB154R1-SCH-B.pdf

HUMAN DATA
HuMANDATA LTD.
www.hdl.co.jp

DSN:	TITLE: Universal board for ACM/XCM-2L series
DOC. No: ZKB-154	B
FILE: ZKB154B.SchDoc	DATE: 2019/03/11 13:45:51
Sheet: 1 / 3	

A

B

C

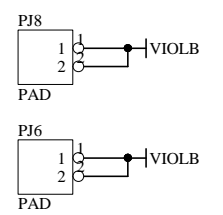
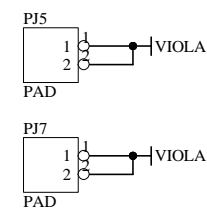
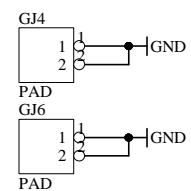
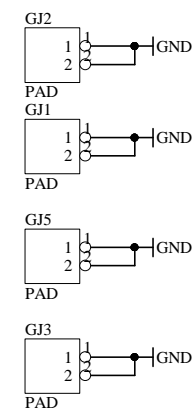
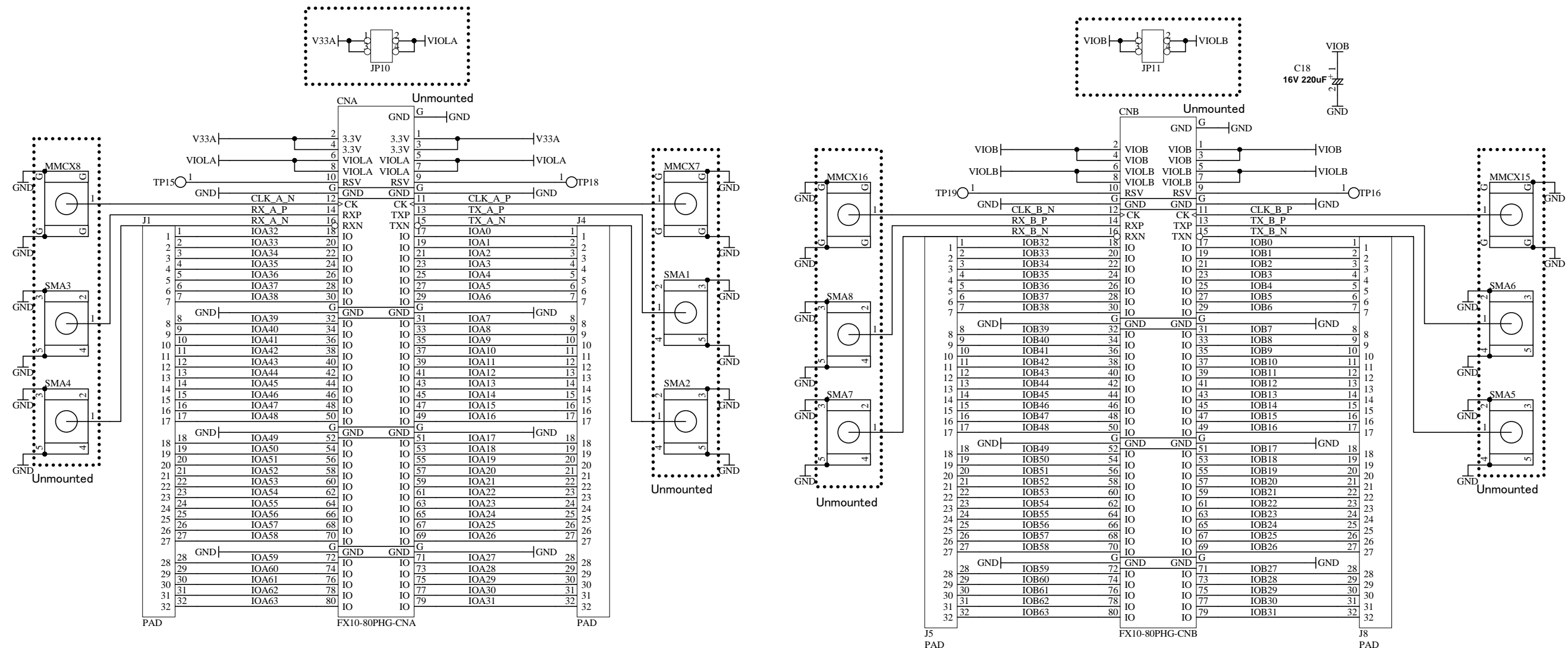
D

A

B

C

D



ZKB154R1-SCH-B.pdf



DSN:	TITLE: Universal board for ACM/XCM-2L series	
DOC. No:	ZKB-154	B
FILE: CNAB.SchDoc	DATE: 2019/03/11 13:45:51	Sheet: 2 / 3

A

B

C

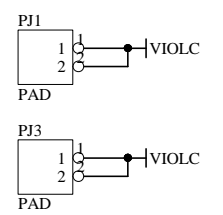
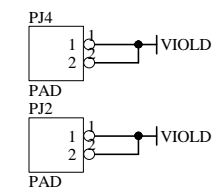
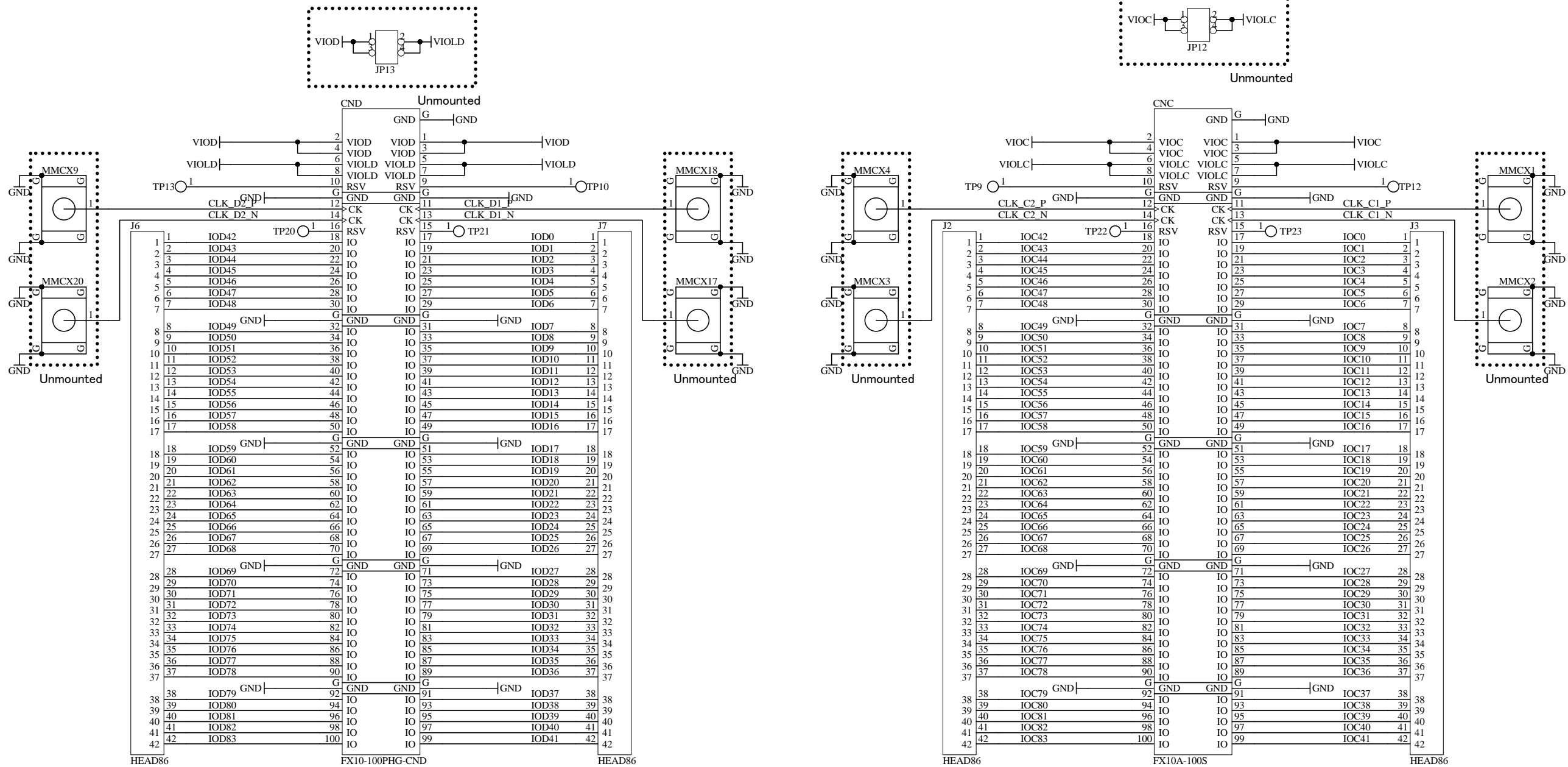
D

A

B

C

D



ZKB154R1-SCH-B.pdf

HUMANDATA
HuMANDATA LTD.
www.hdl.co.jp

DSN:	TITLE: Universal board for ACM/XCM-2L series
DOC. No:	ZKB-154
FILE: CNC.D.SchDoc	DATE: 2019/03/11 13:45:51
Sheet: 3 / 3	B