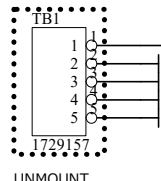
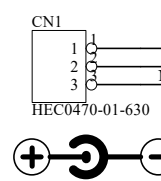
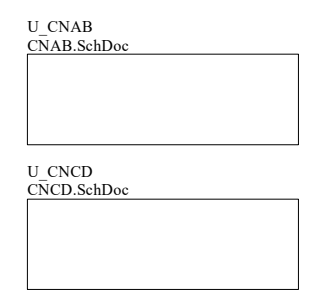
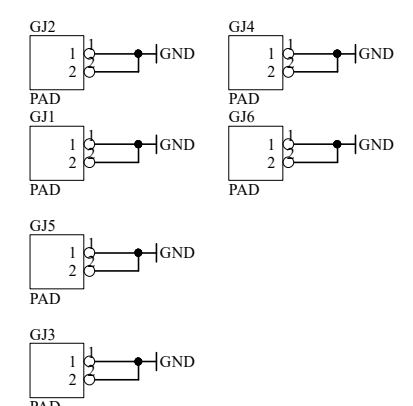
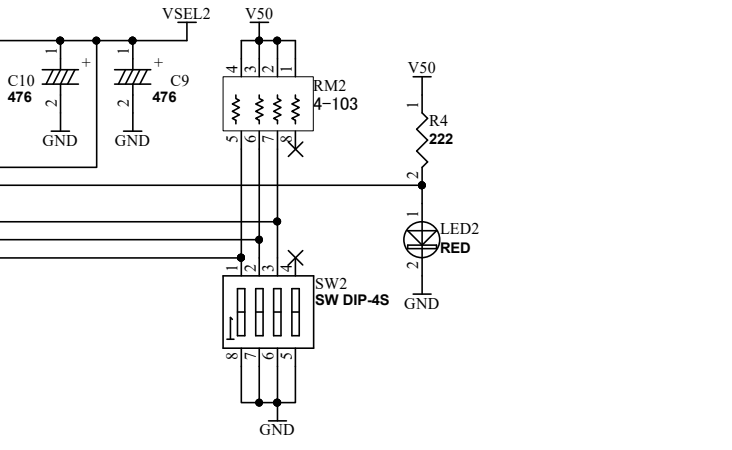
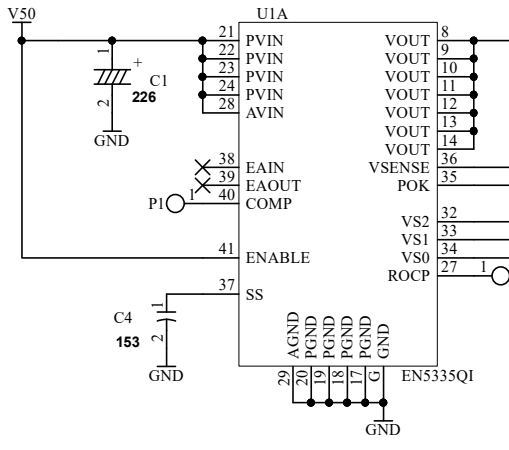
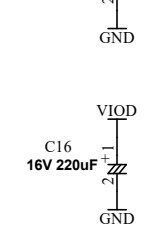
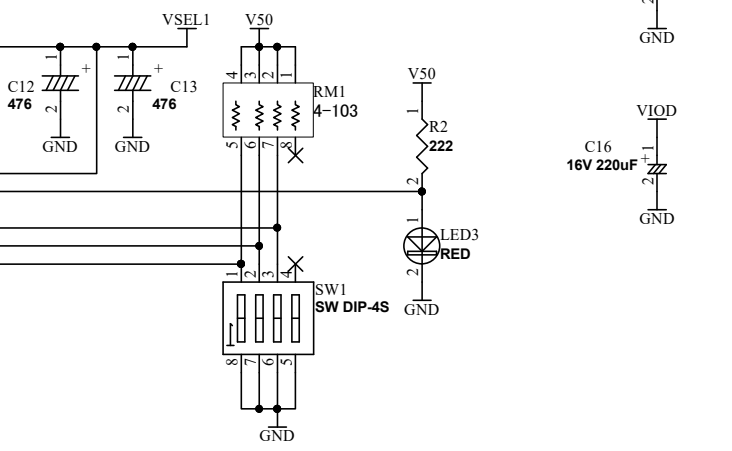
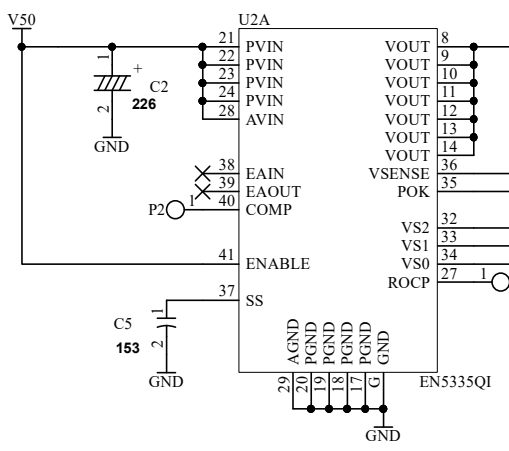
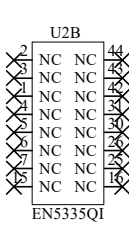
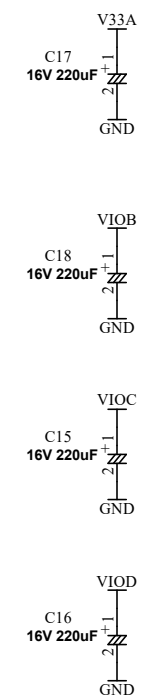
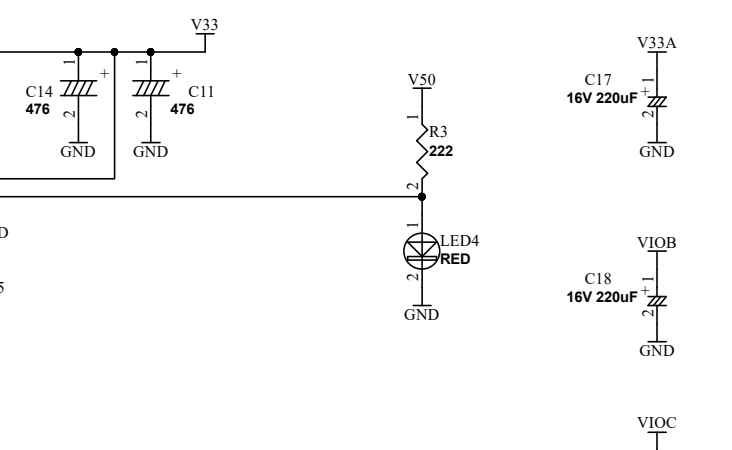
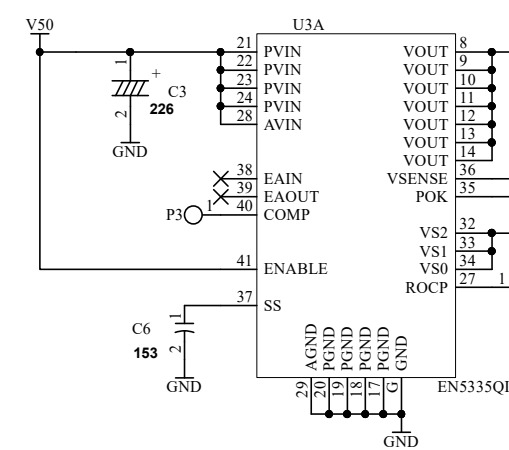
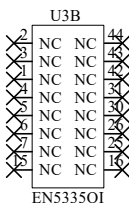
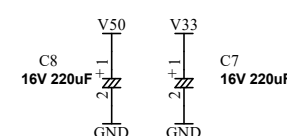
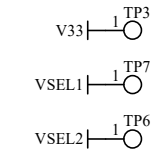
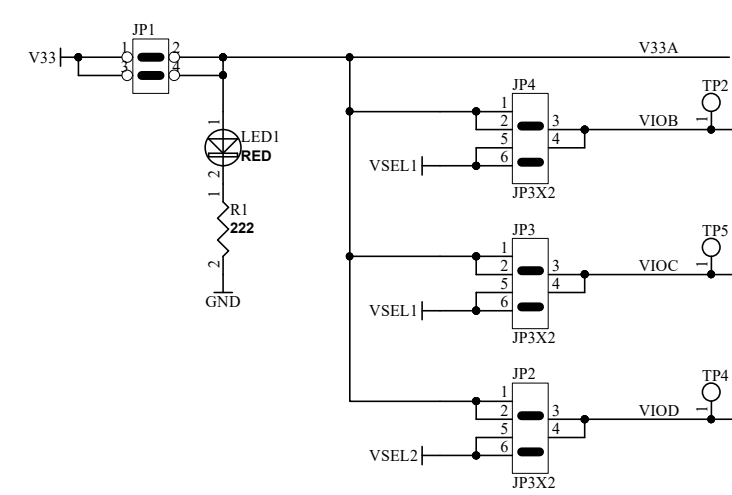
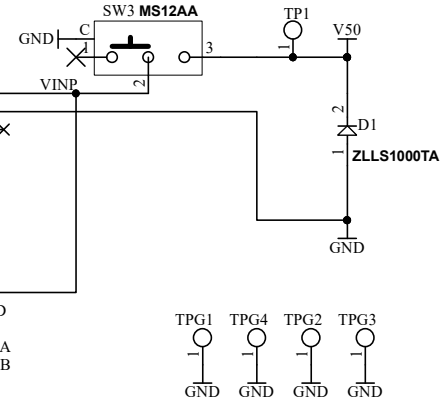


DC INPUT(JACK)



UNMOUNT

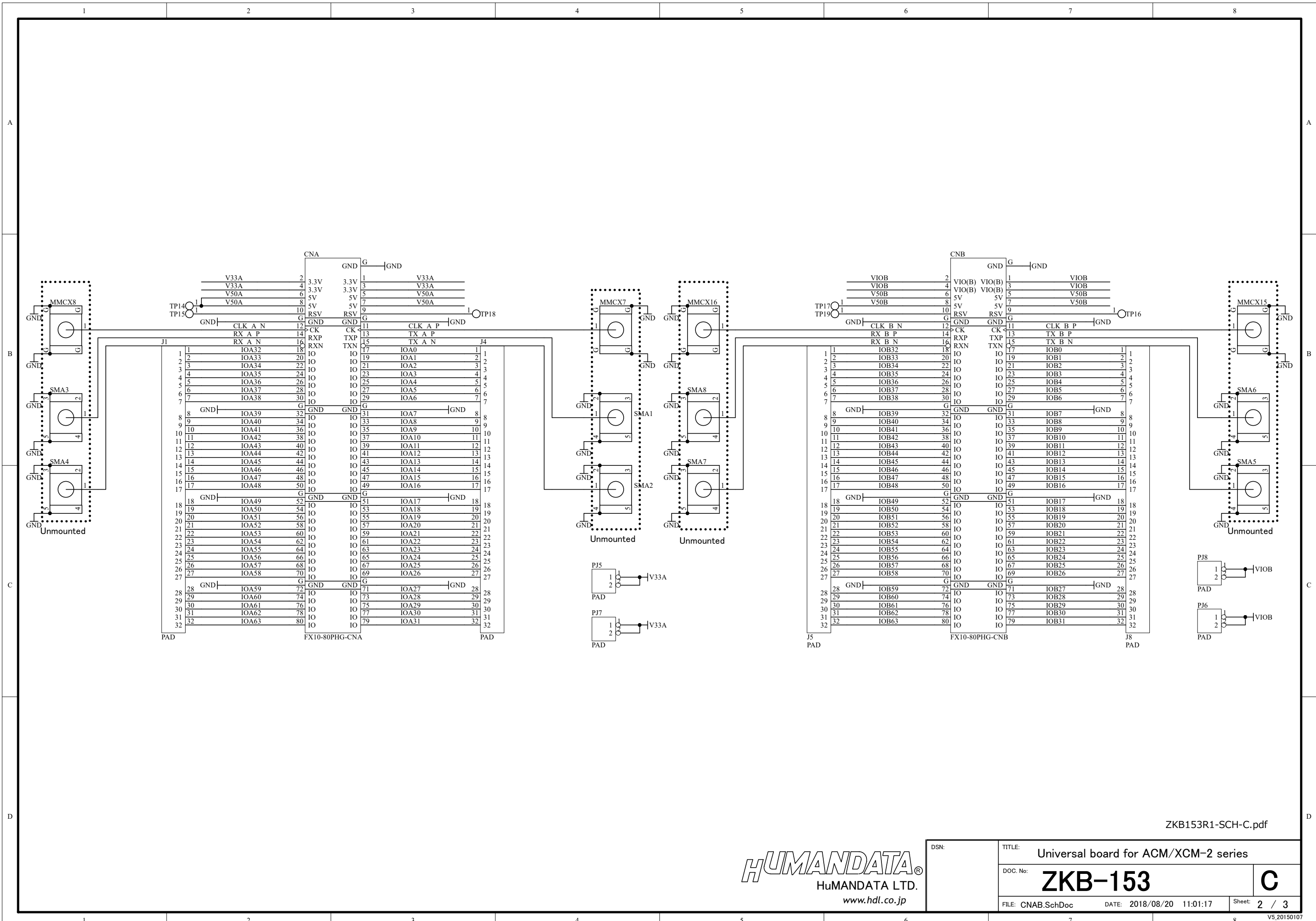


G1 PARTS

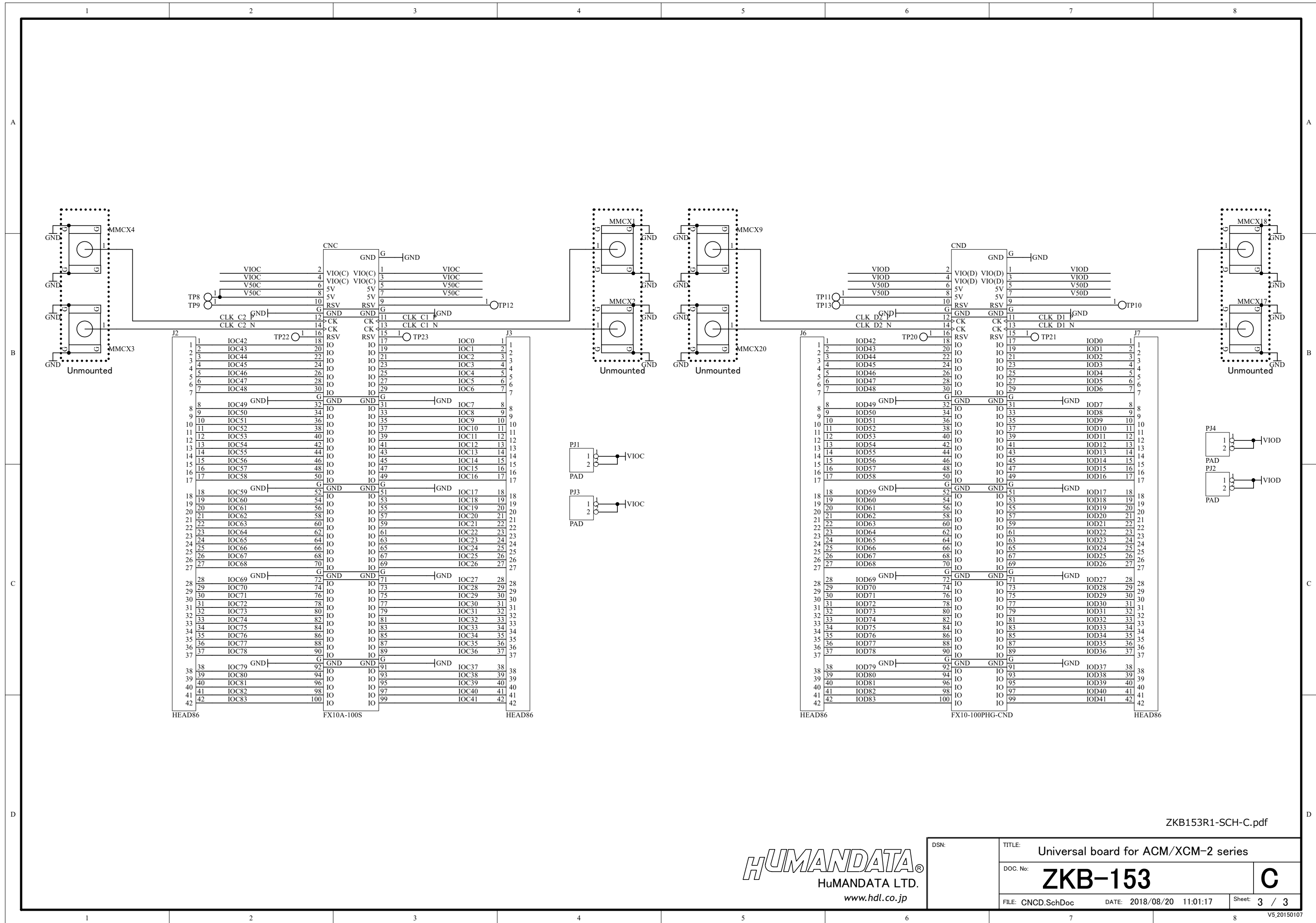
HUMANDATA HuMANDATA LTD. www.hdl.co.jp

DSN:	TITLE: Universal board for ACM/XCM-2 series
DOC. No: ZKB-153	C
FILE: ZKB153C.SchDoc	DATE: 2018/08/20 11:01:17
Sheet: 1 / 3	V5.20150107

ZKB153R1-SCH-C.pdf



DSN:	TITLE: Universal board for ACM/XCM-2 series
DOC. No:	ZKB-153
FILE: CNAB.SchDoc	DATE: 2018/08/20 11:01:17
Sheet: 2 / 3	C



HEAD86		FX10A-100S		HEAD86	
1	IOC42	18	RSV	15	TP23
2	IOC43	20	IO	17	IOC0
3	IOC44	22	IO	19	IOC1
4	IOC45	24	IO	21	IOC2
5	IOC46	26	IO	23	IOC3
6	IOC47	28	IO	25	IOC4
7	IOC48	30	IO	27	IOC5
8	IOC49	32	IO	29	IOC6
9	IOC50	34	IO	31	IOC7
10	IOC51	36	IO	33	IOC8
11	IOC52	38	IO	35	IOC9
12	IOC53	40	IO	37	IOC10
13	IOC54	42	IO	39	IOC11
14	IOC55	44	IO	41	IOC12
15	IOC56	46	IO	43	IOC13
16	IOC57	48	IO	45	IOC14
17	IOC58	50	IO	47	IOC15
18	IOC59	52	IO	49	IOC16
19	IOC60	54	IO	51	IOC17
20	IOC61	56	IO	53	IOC18
21	IOC62	58	IO	55	IOC19
22	IOC63	60	IO	57	IOC20
23	IOC64	62	IO	59	IOC21
24	IOC65	64	IO	61	IOC22
25	IOC66	66	IO	63	IOC23
26	IOC67	68	IO	65	IOC24
27	IOC68	70	IO	67	IOC25
28	IOC69	72	IO	69	IOC26
29	IOC70	74	IO	71	IOC27
30	IOC71	76	IO	73	IOC28
31	IOC72	78	IO	75	IOC29
32	IOC73	80	IO	77	IOC30
33	IOC74	82	IO	79	IOC31
34	IOC75	84	IO	81	IOC32
35	IOC76	86	IO	83	IOC33
36	IOC77	88	IO	85	IOC34
37	IOC78	90	IO	87	IOC35
38	IOC79	92	IO	89	IOC36
39	IOC80	94	IO	91	IOC37
40	IOC81	96	IO	93	IOC38
41	IOC82	98	IO	95	IOC39
42	IOC83	100	IO	97	IOC40
				99	IOC41
				100	IOC42

HEAD86		FX10-100PHG-CND		HEAD86	
1	IOD42	18	RSV	15	TP21
2	IOD43	20	IO	17	IOD0
3	IOD44	22	IO	19	IOD1
4	IOD45	24	IO	21	IOD2
5	IOD46	26	IO	23	IOD3
6	IOD47	28	IO	25	IOD4
7	IOD48	30	IO	27	IOD5
8	IOD49	32	IO	29	IOD6
9	IOD50	34	IO	31	IOD7
10	IOD51	36	IO	33	IOD8
11	IOD52	38	IO	35	IOD9
12	IOD53	40	IO	37	IOD10
13	IOD54	42	IO	39	IOD11
14	IOD55	44	IO	41	IOD12
15	IOD56	46	IO	43	IOD13
16	IOD57	48	IO	45	IOD14
17	IOD58	50	IO	47	IOD15
18	IOD59	52	IO	49	IOD16
19	IOD60	54	IO	51	IOD17
20	IOD61	56	IO	53	IOD18
21	IOD62	58	IO	55	IOD19
22	IOD63	60	IO	57	IOD20
23	IOD64	62	IO	59	IOD21
24	IOD65	64	IO	61	IOD22
25	IOD66	66	IO	63	IOD23
26	IOD67	68	IO	65	IOD24
27	IOD68	70	IO	67	IOD25
28	IOD69	72	IO	69	IOD26
29	IOD70	74	IO	71	IOD27
30	IOD71	76	IO	73	IOD28
31	IOD72	78	IO	75	IOD29
32	IOD73	80	IO	77	IOD30
33	IOD74	82	IO	79	IOD31
34	IOD75	84	IO	81	IOD32
35	IOD76	86	IO	83	IOD33
36	IOD77	88	IO	85	IOD34
37	IOD78	90	IO	87	IOD35
38	IOD79	92	IO	89	IOD36
39	IOD80	94	IO	91	IOD37
40	IOD81	96	IO	93	IOD38
41	IOD82	98	IO	95	IOD39
42	IOD83	100	IO	97	IOD40
				99	IOD41
				100	IOD42

ZKB153R1-SCH-C.pdf

HUMAN DATA
 HuMANDATA LTD.
 www.hdl.co.jp

DSN:	TITLE: Universal board for ACM/XCM-2 series
DOC. No:	ZKB-153
FILE: CNCD.SchDoc	DATE: 2018/08/20 11:01:17
Sheet: 3 / 3	C