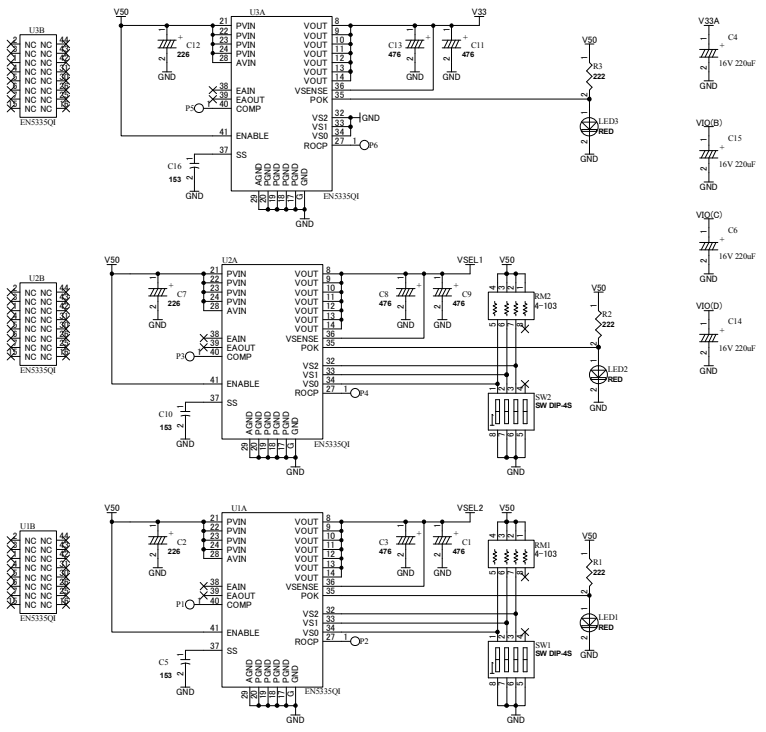
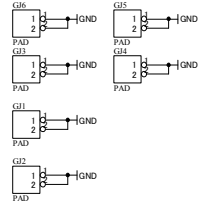
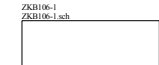
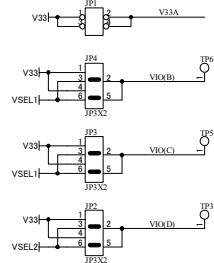
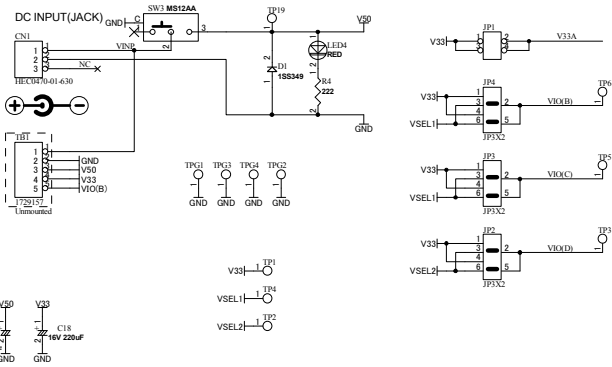
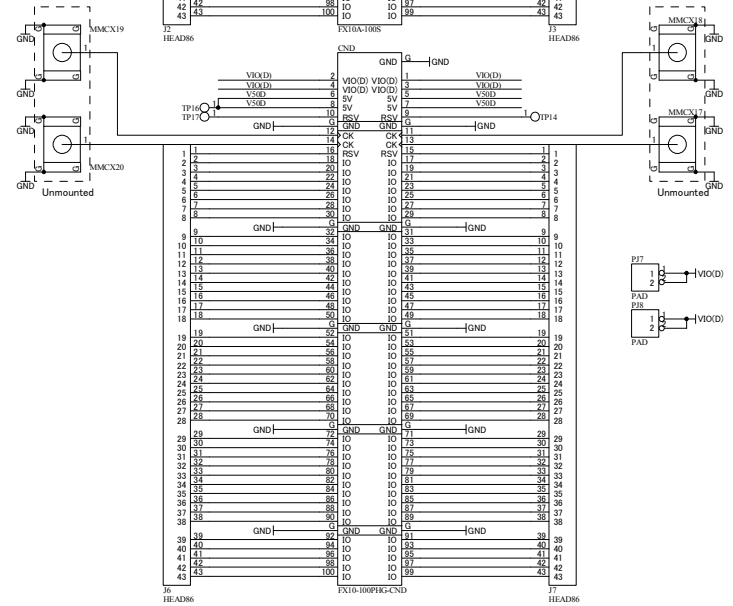
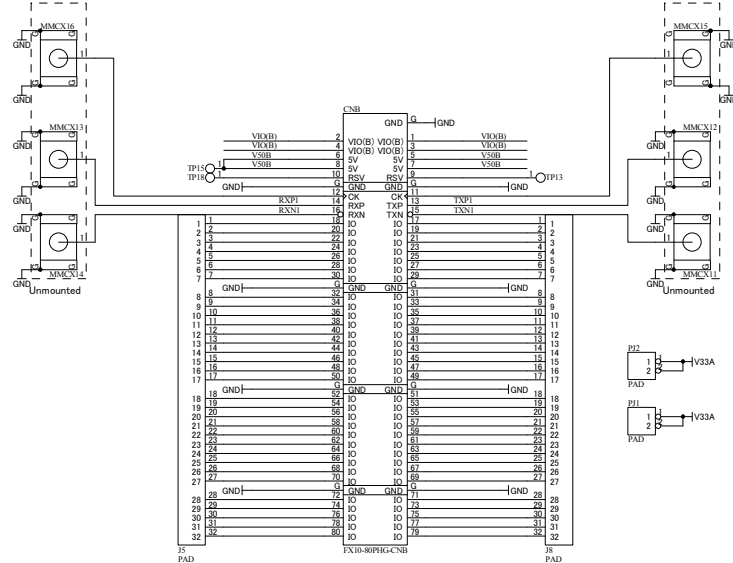
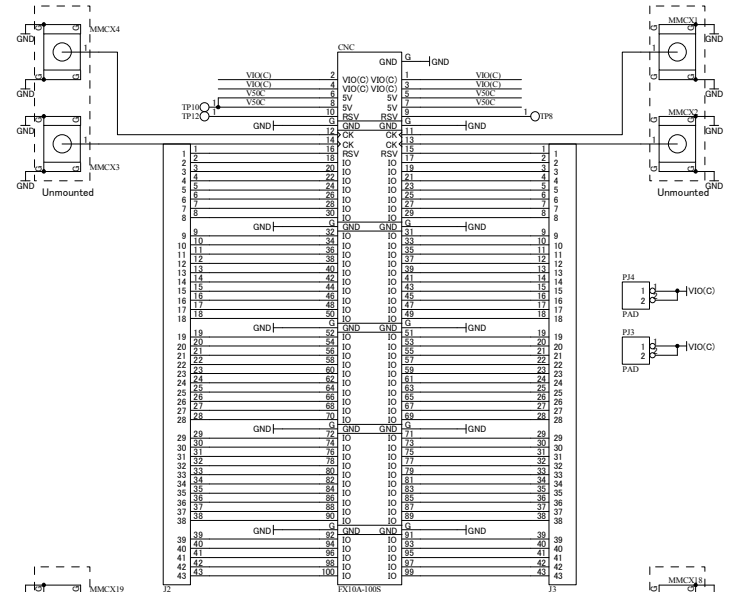
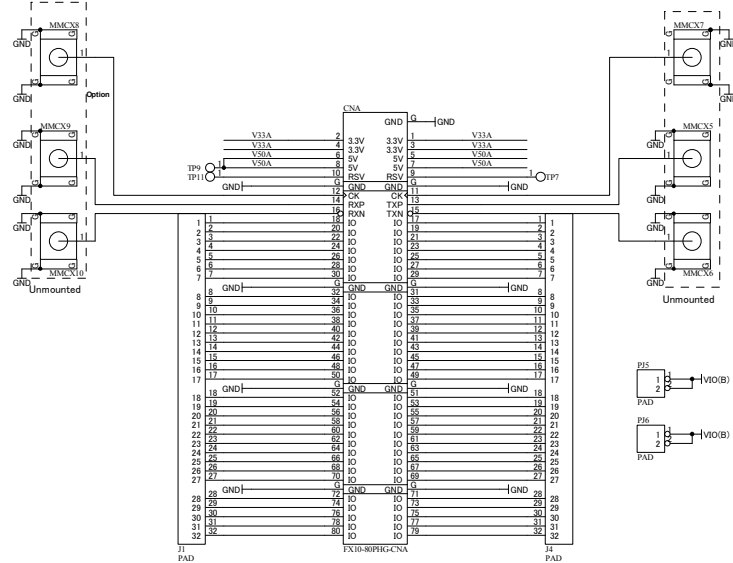


VIO(D) VIO(D)
 VIO(C) VIO(C)
 VIO(B) VIO(B)
 V33A V33A
 GND GND



VIO(D) VIO(D)
 VIO(C) VIO(C)
 VIO(B) VIO(B)
 V33A V33A
 GND GND



ZKB106R1-SCH-A4.pdf



HUMAN DATA LTD.
 OSAKA JAPAN
www.hdl.co.jp/en/(Global)
www.hdl.co.jp/(Japan)

Universal board for ACM/XCM-2 series Type2

DOC. No.

ZKB-106

A4

Date:

22-Nov-2012

10:40:11

File:

ZKB106-1.sch

Sheet

2

of

2