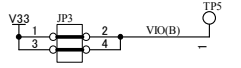
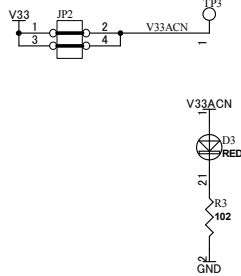
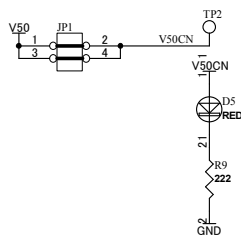
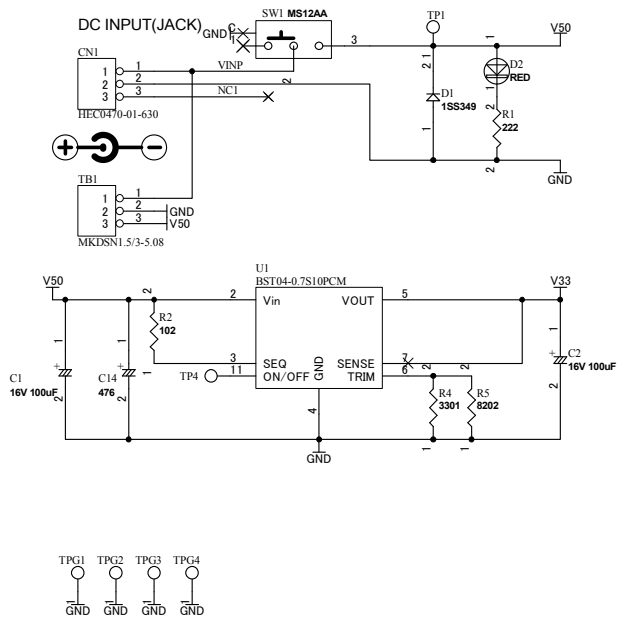


D



V33ACN	1	CNA	V33ACN	1	CNB	VIO(B)	1
V33ACN	3V3	CNA0	V33ACN	3V3	CNB0	VIO(B)	3V3
V50CN	5V	CNA1	V50CN	5V	CNB1	V50CN	5V
V50CN	5V	CNA2	V50CN	5V	CNB2	V50CN	5V
GND	5	CNA3	GND	5	CNB3	GND	5
GND	6	CNA4	GND	6	CNB4	GND	6
CNA0	7	CNA5	GND	7	CNB5	GND	7
CNA1	8	CNA6	GND	8	CNB6	GND	8
CNA2	9	CNA7	GND	9	CNB7	GND	9
CNA3	10	CNA8	GND	10	CNB8	GND	10
CNA4	11	CNA9	GND	11	CNB9	GND	11
CNA5	12	CNA10	GND	12	CNB10	GND	12
CNA6	13	CNA11	GND	13	CNB11	GND	13
CNA7	14	CNA12	GND	14	CNB12	GND	14
CNA8	15	CNA13	GND	15	CNB13	GND	15
CNA9	16	CNA14	GND	16	CNB14	GND	16
GND	17	CNA15	GND	17	CNB15	GND	17
GND	18	CNA16	GND	18	CNB16	GND	18
GND	19	CNA17	GND	19	CNB17	GND	19
GND	20	CNA18	GND	20	CNB18	GND	20
GND	21	CNA19	GND	21	CNB19	GND	21
GND	22	CNA20	GND	22	CNB20	GND	22
GND	23	CNA21	GND	23	CNB21	GND	23
GND	24	CNA22	GND	24	CNB22	GND	24
GND	25	CNA23	GND	25	CNB23	GND	25
GND	26	CNA24	GND	26	CNB24	GND	26
GND	27	CNA25	GND	27	CNB25	GND	27
GND	28	CNA26	GND	28	CNB26	GND	28
GND	29	CNA27	GND	29	CNB27	GND	29
GND	30	CNA28	GND	30	CNB28	GND	30
GND	31	CNA29	GND	31	CNB29	GND	31
GND	32	CNA30	GND	32	CNB30	GND	32
GND	33	CNA31	GND	33	CNB31	GND	33
GND	34	CNA32	GND	34	CNB32	GND	34
GND	35	CNA33	GND	35	CNB33	GND	35
GND	36	CNA34	GND	36	CNB34	GND	36
GND	37	CNA35	GND	37	CNB35	GND	37
GND	38	CNA36	GND	38	CNB36	GND	38
GND	39	CNA37	GND	39	CNB37	GND	39
GND	40	CNA38	GND	40	CNB38	GND	40
GND	41	CNA39	GND	41	CNB39	GND	41
GND	42	CNA40	GND	42	CNB40	GND	42
GND	43	CNA41	GND	43	CNB41	GND	43
GND	44	CNA42	GND	44	CNB42	GND	44
GND	45	CNA43	GND	45	CNB43	GND	45
GND	46	CNA44	GND	46	CNB44	GND	46
GND	47	CNA45	GND	47	CNB45	GND	47
GND	48	CNA46	GND	48	CNB46	GND	48
GND	49	CNA47	GND	49	CNB47	GND	49
GND	50	CNA48	GND	50	CNB48	GND	50
GND	51	CNA49	GND	51	CNB49	GND	51
GND	52		GND	52		GND	52
GND	53		GND	53		GND	53
GND	54		GND	54		GND	54
GND	55		GND	55		GND	55
GND	56		GND	56		GND	56
GND	57		GND	57		GND	57
GND	58		GND	58		GND	58
GND	59		GND	59		GND	59
GND	60		GND	60		GND	60
GND	61		GND	61		GND	61
GND	62		GND	62		GND	62
GND	63		GND	63		GND	63
GND	64		GND	64		GND	64
GND	65		GND	65		GND	65
GND	66		GND	66		GND	66

ZKB054R4-SCH-E.pdf

A

<b>HUMANDATA</b>		-----	
HuMANDATA LTD. OSAKA JAPAN www.hdl.co.jp/en/(Global) www.hdl.co.jp/(Japan)		Universal board for ACM/XCM-0 series(Rev4)	
Date: 22-Dec-2011	12:58:11	DOC. No. ZKB-054	E
File: ZKB054E.sch		Sheet 1 of 1	