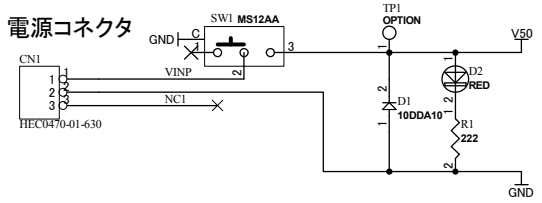
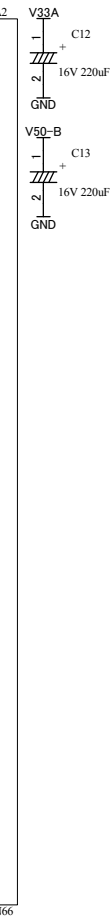
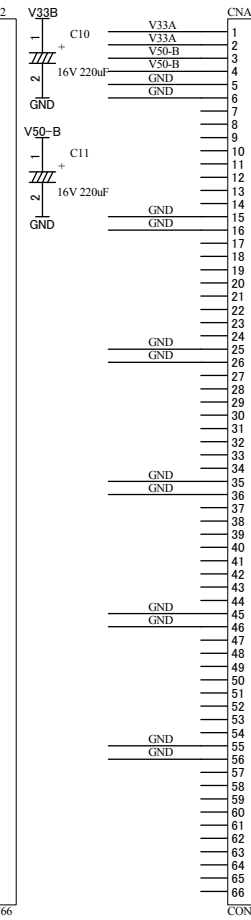
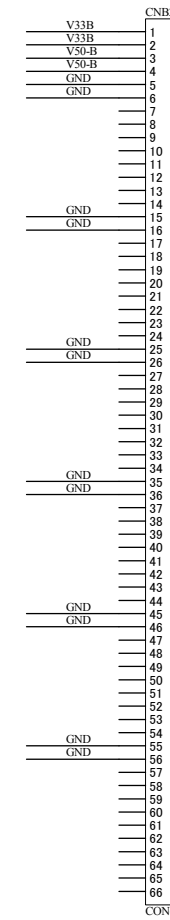
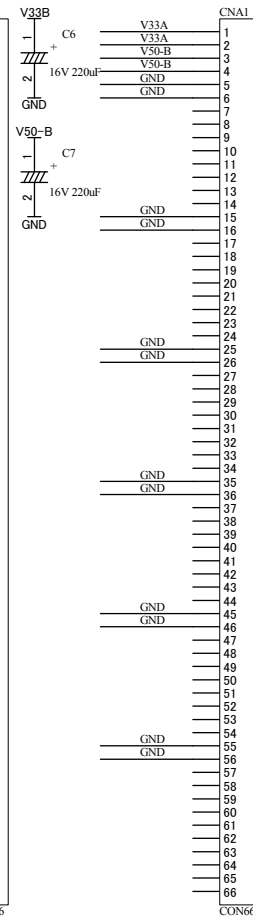
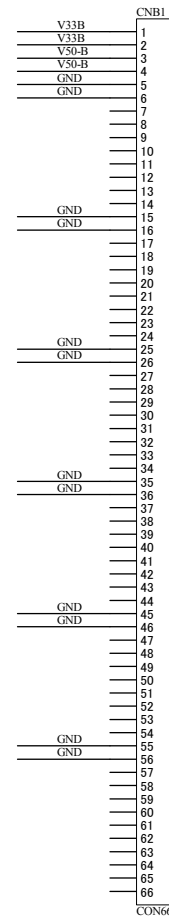
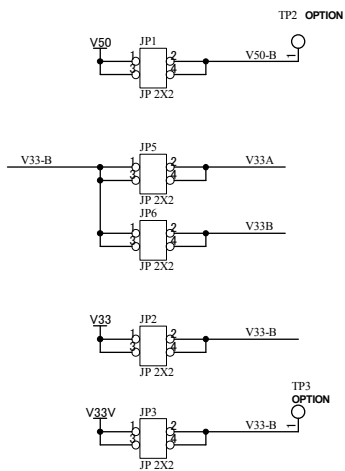
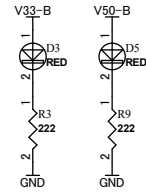
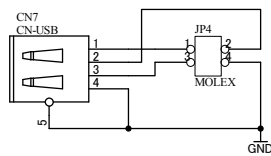
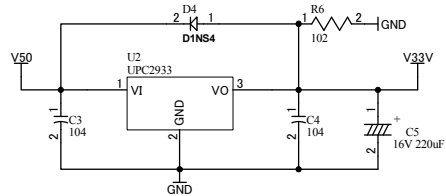
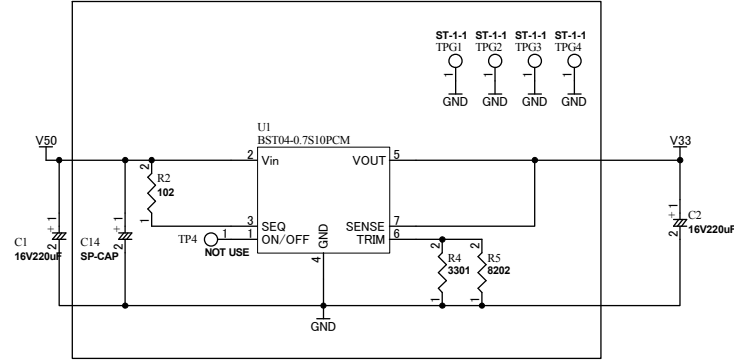


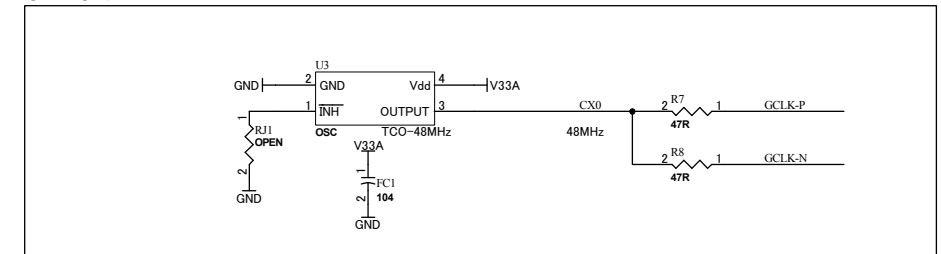
電源コネクタ



OPTION



OPTION



	2008/05/07	XCM/ACM support Board		D2
	HuMANDATA LTD. OSAKA JAPAN www.hdl.co.jp			
Date: 7-May-2008	13:29:21	File: ZKB022D.sch	Sheet 1 of 1	