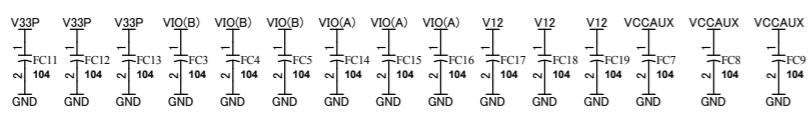
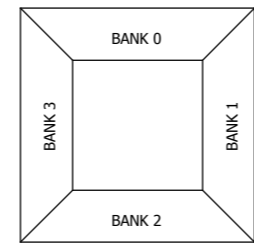
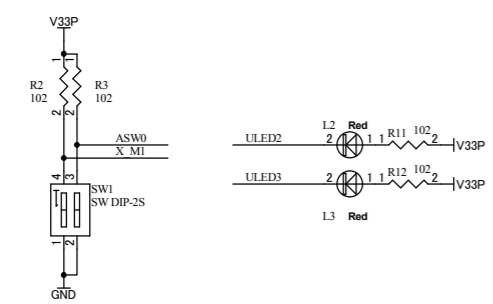
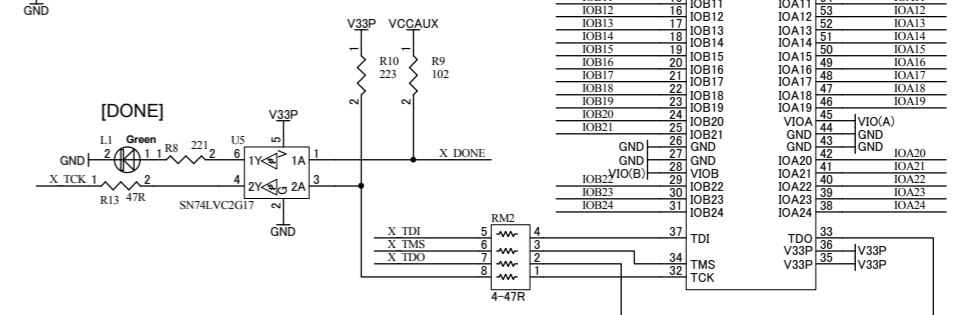
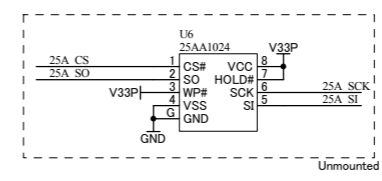
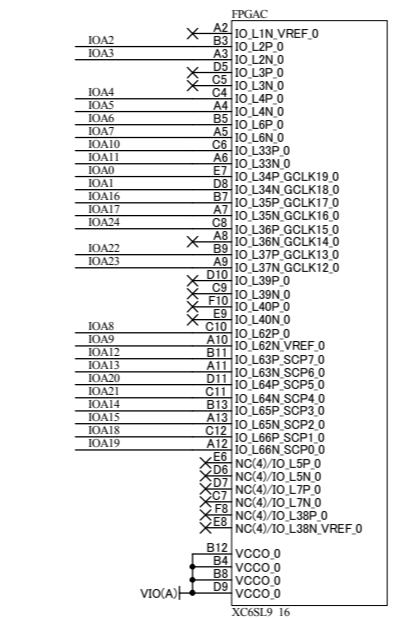
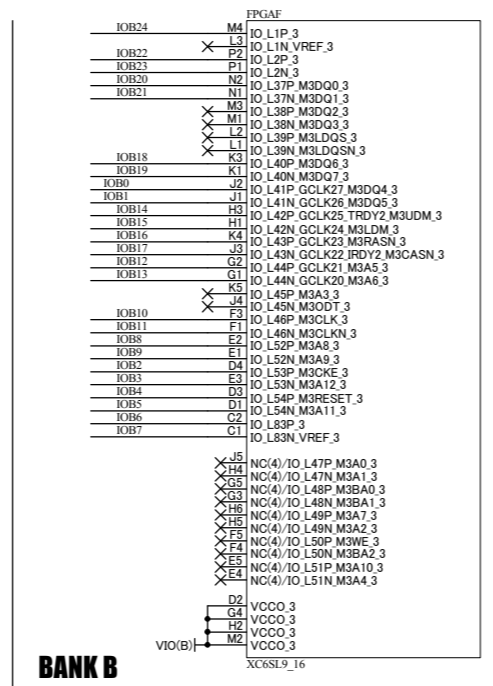
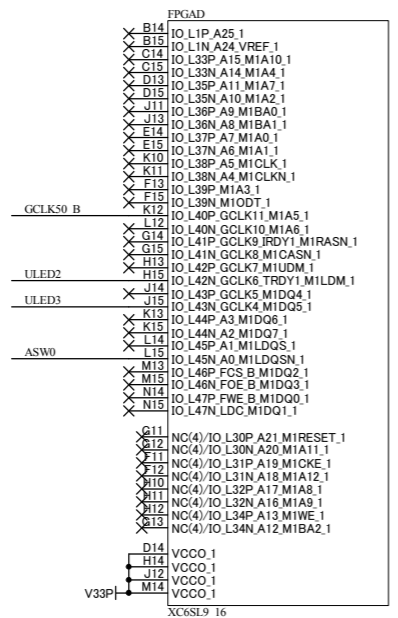
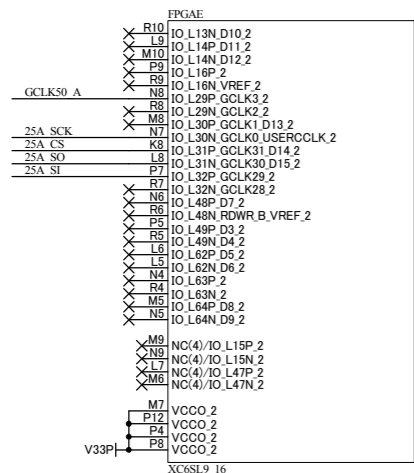
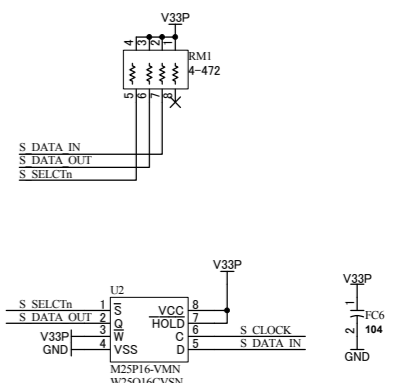
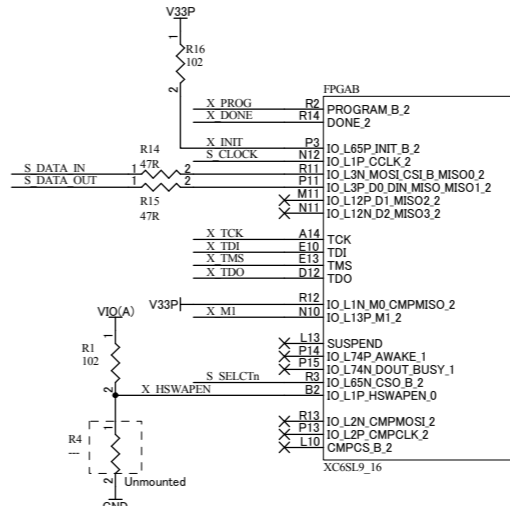
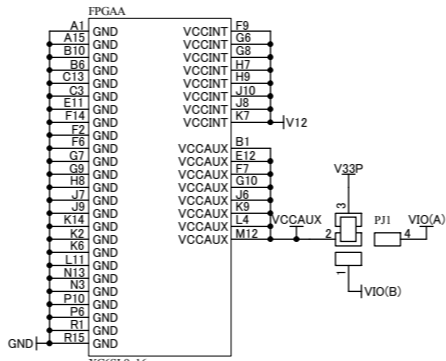
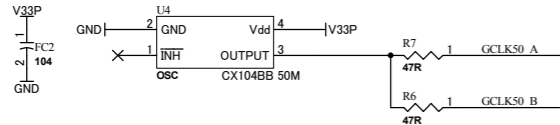
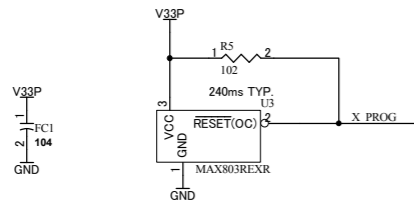
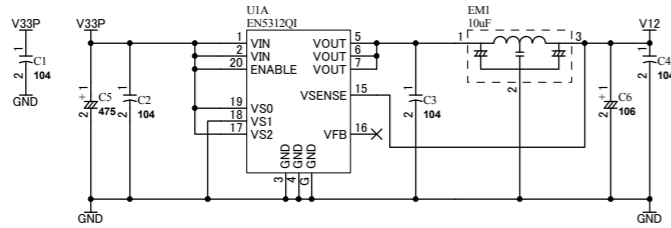
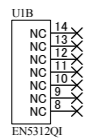


V33P	V33P
VIO(A)	VIO(A)
VIO(B)	VIO(B)
V12	V12
GND	GND



XP6801R1-SCH-A2.pdf

	2011/04/28	SPARTAN-6 PLCC68 FPGA Module		A2
	HuMANDATA LTD. OSAKA JAPAN www.hdl.co.jp/en/(Global) www.hdl.co.jp/(Japan)			
Date: 28-Apr-2011 14:31:52		File: BP68S6A.sch		Sheet 1 of 1