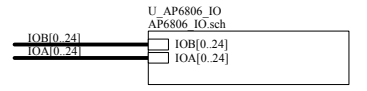
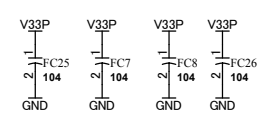
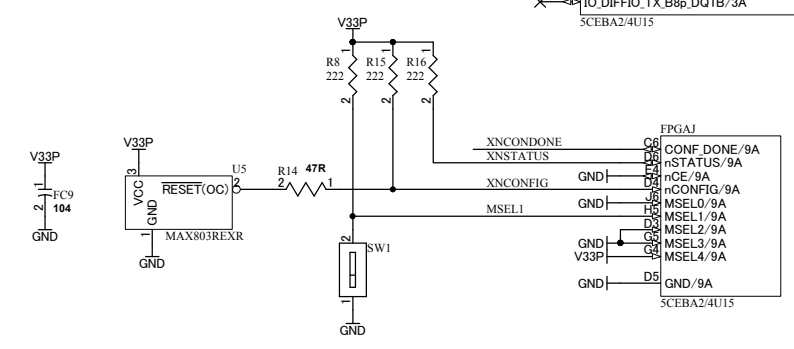
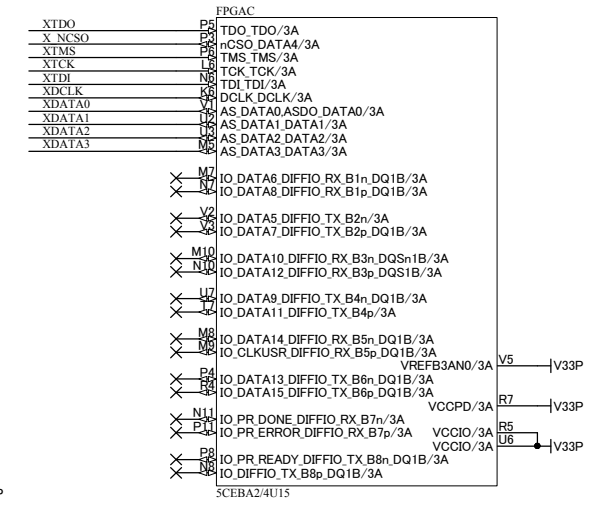
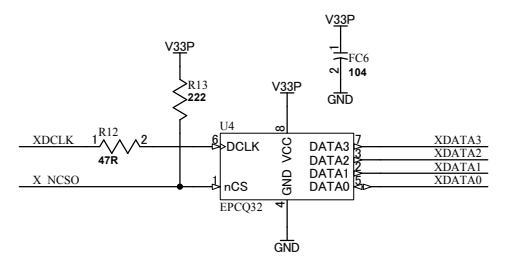
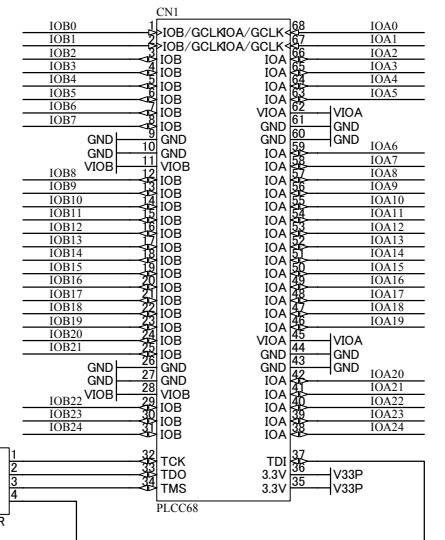
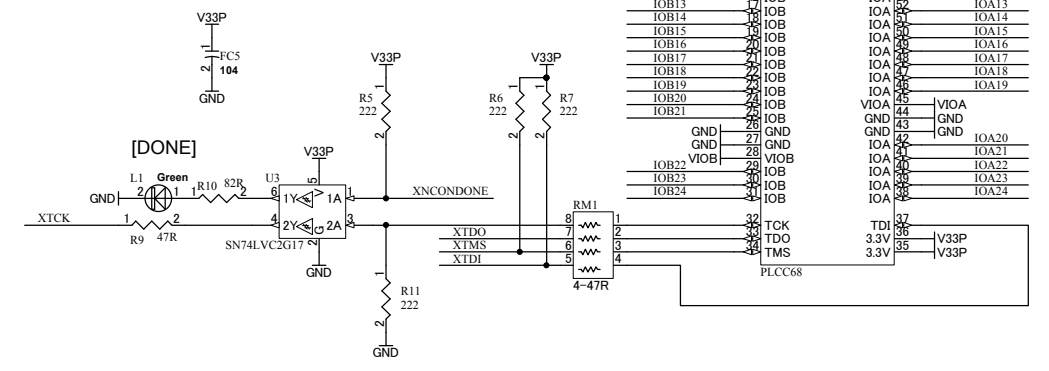
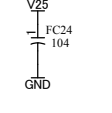
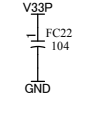
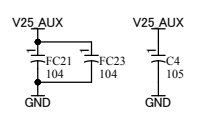
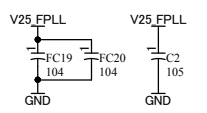
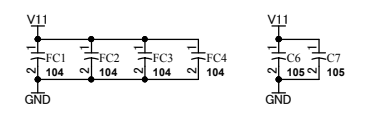
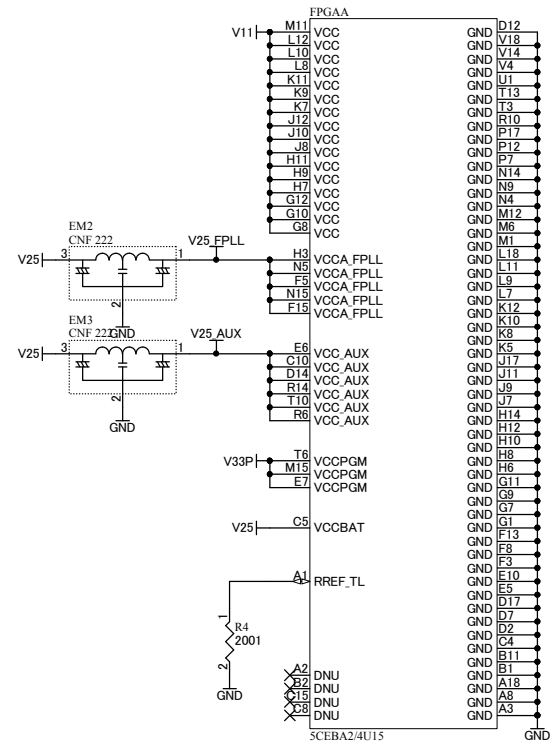
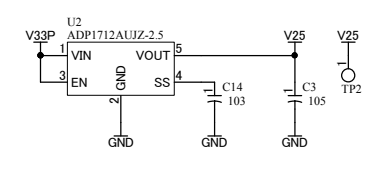
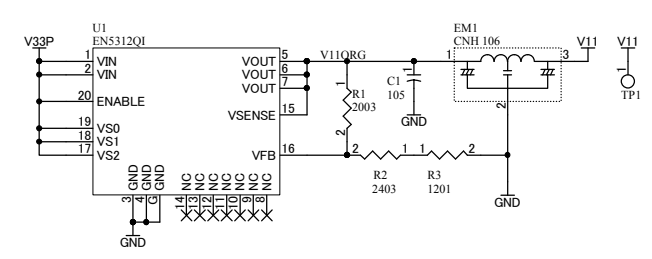


V33P	V33P
V11	V11
V25	V25
V25_FPLL	V25_FPLL
V25_AUX	V25_AUX
VIOA	VIOA
VIOB	VIOB



HUMAN DATA

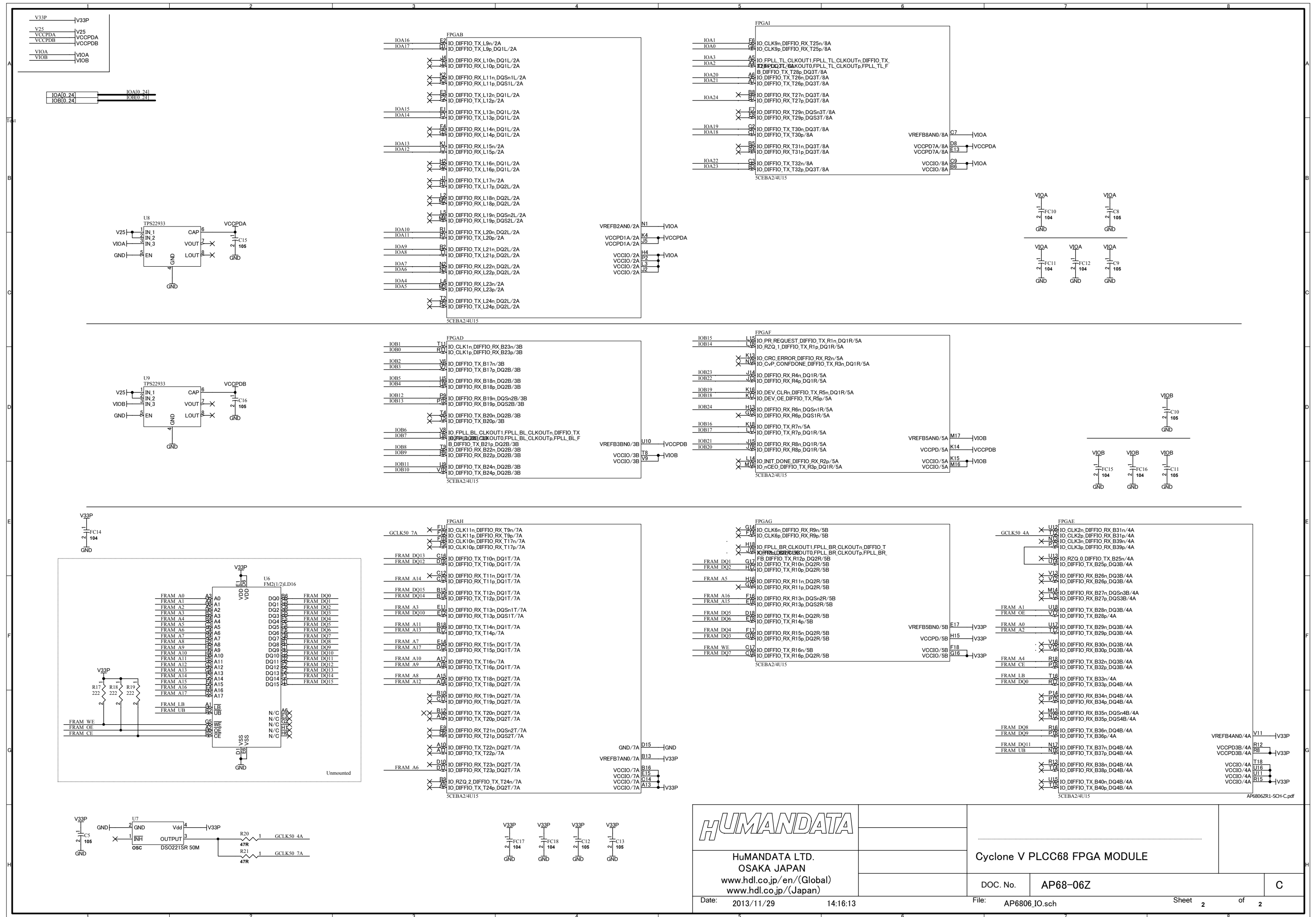
HuMANDATA LTD.
OSAKA JAPAN
www.hdl.co.jp/en/(Global)
www.hdl.co.jp/(Japan)

Cyclone V PLCC68 FPGA MODULE

U: AP6806_IO
AP6806_IO.sch

Date:	2013/11/29	14:16:12	File:	AP6806.sch	Sheet	1	of	2
			DOC. No.	AP68-06Z			C	

AP6806ZRI-SCH-C.pdf



		Cyclone V PLCC68 FPGA MODULE						
				DOC. No.	AP68-06Z			
Date:	2013/11/29	14:16:13	File:	AP6806_IO.sch	Sheet	2	of	2

AP6806Zr1-SCH-C.pdf