

1

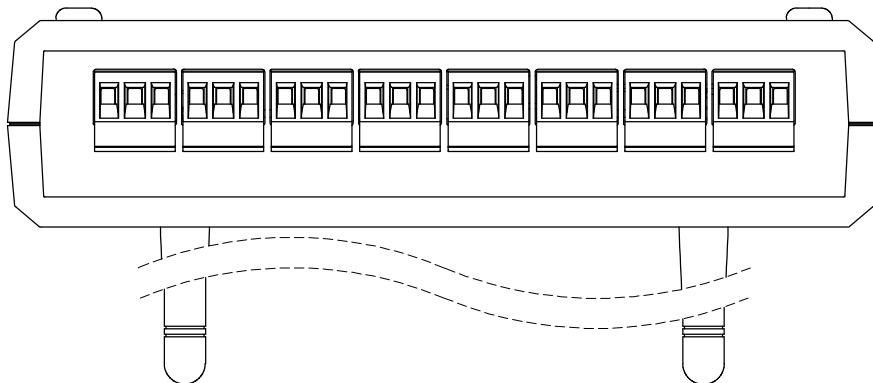
2

3

4

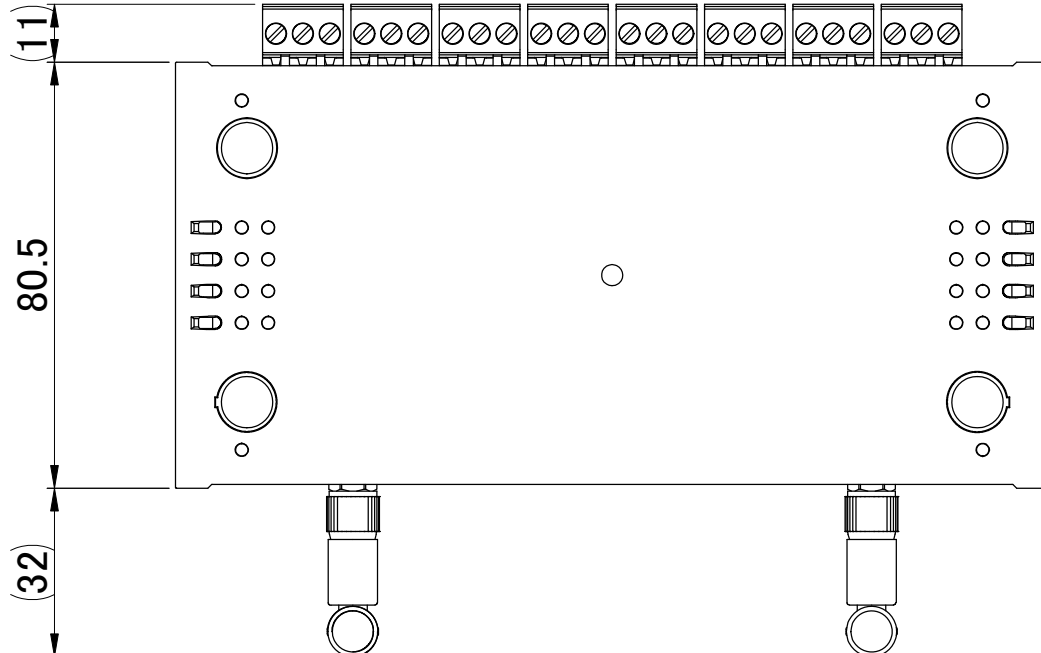
A

A



B

B

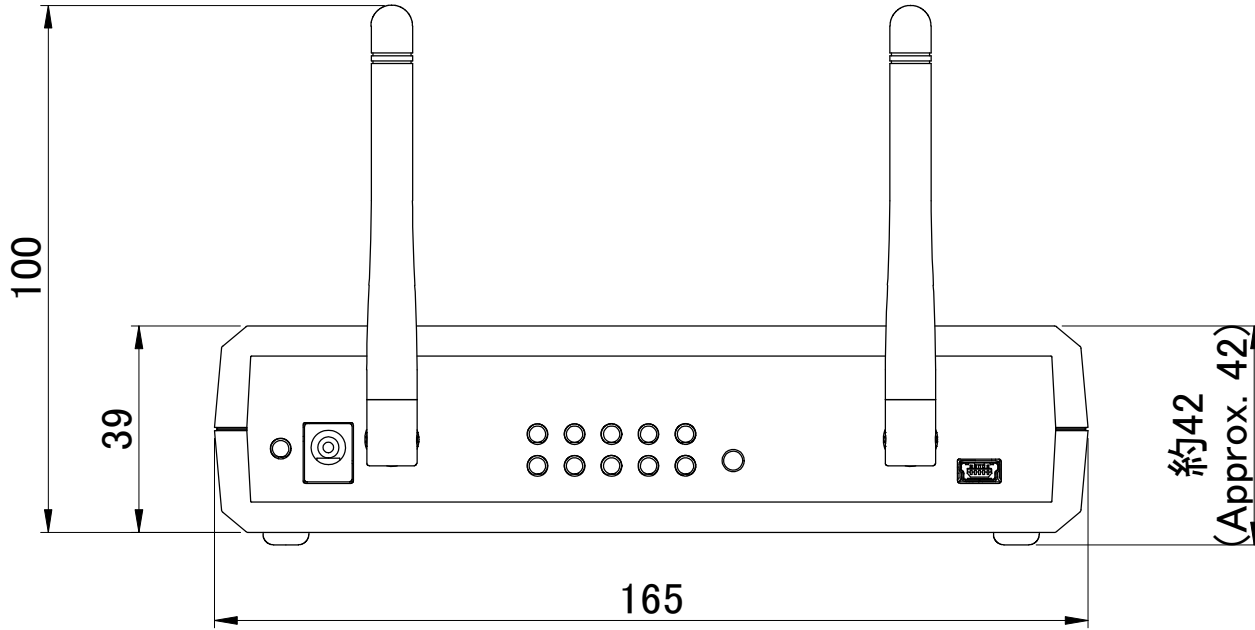


C

C

D

D



E

E

F

F

1

2

3

A4 SHEET 1 OF 2

HUMANDATA [®]		SCALE -	UNIT mm	MATERIAL
CHK	DWG	TITLE LNX-207W-8R Outline Drawing		
		DRAWING NO LNX207W8R-R1-DWG-A		REV A

1

2

3

4

A

A

B

B

C

C

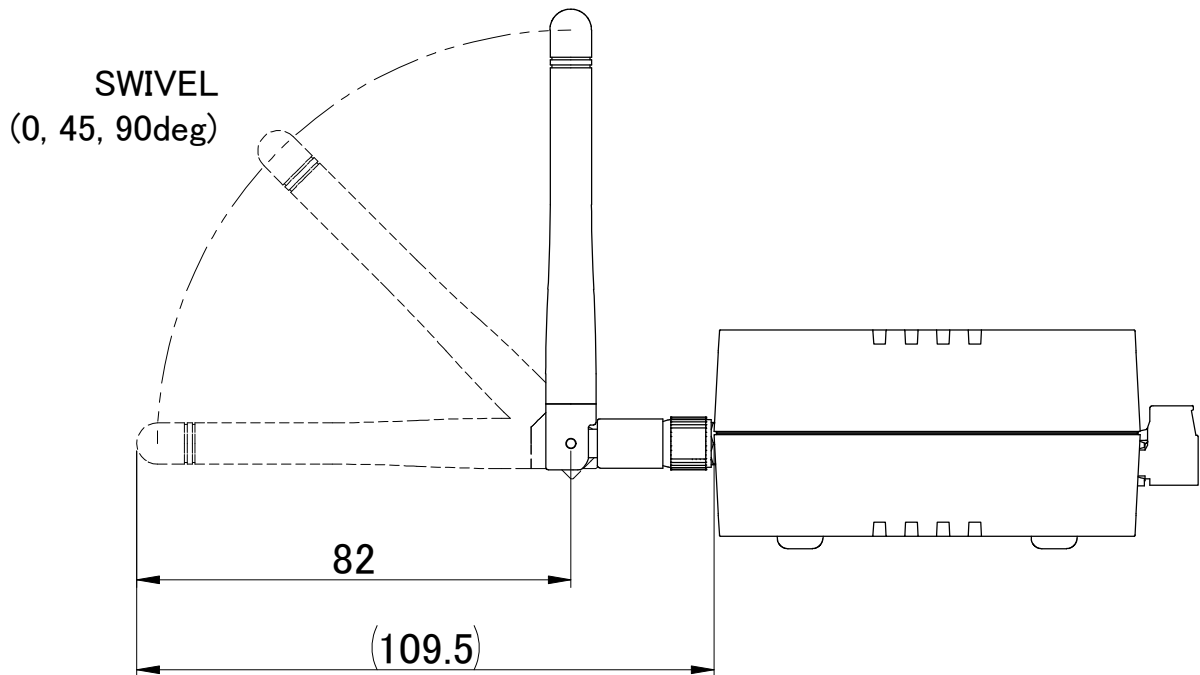
D

D

E

E

F



SWIVEL
(0, 45, 90deg)

82

(109.5)

HUMAN DATA[®]

SCALE

—

UNIT

mm

MATERIAL

CHK

DWG

TITLE

LNx-207W-8R Outline Drawing



DRAWING NO

LNx207W8R-R1-DWG-A

REV

A

1

2

3

A4 SHEET 2 OF 2