

1

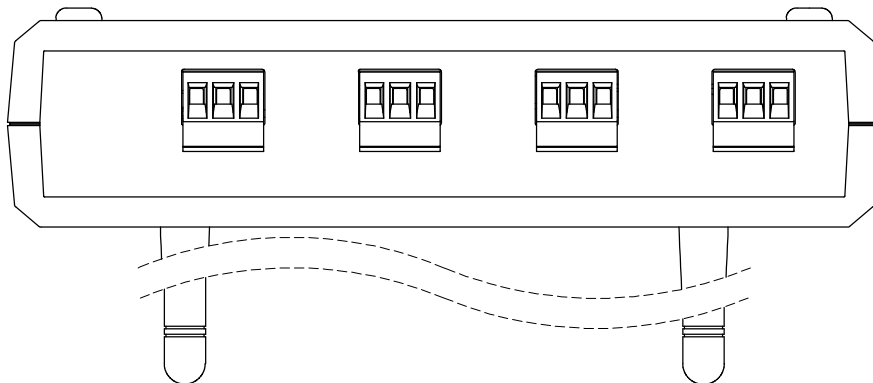
2

3

4

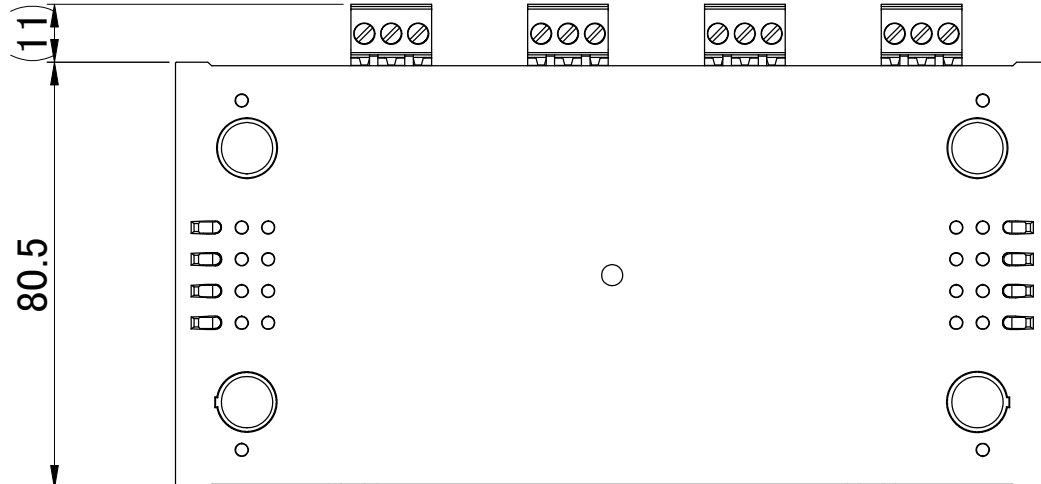
A

A



B

B



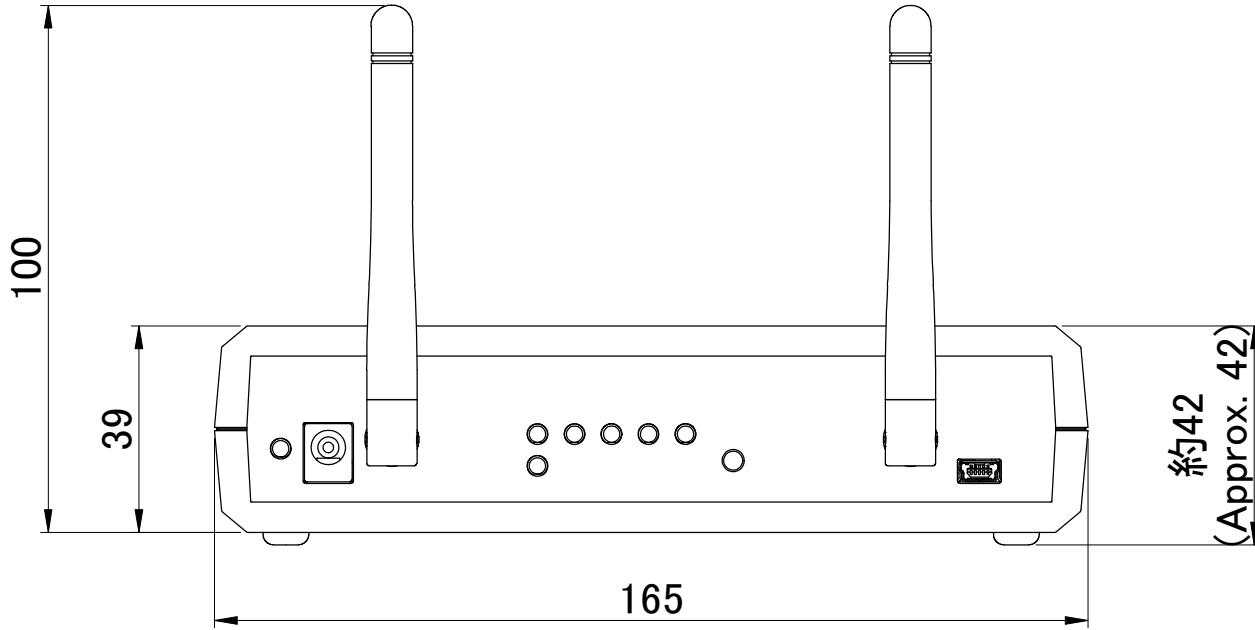
C

C



D

D



E

E

F

F

<b>HUMANDATA</b> <sup>®</sup>		SCALE -	UNIT mm	MATERIAL
CHK	DWG	TITLE <b>LNX-207W-4R Outline Drawing</b>		
		DRAWING NO <b>LNX207W4R-R1-DWG-A</b>		REV <b>A</b>

1

2

3

A4 SHEET 1 OF 2

1

2

3

4

A

A

B

B

C

C

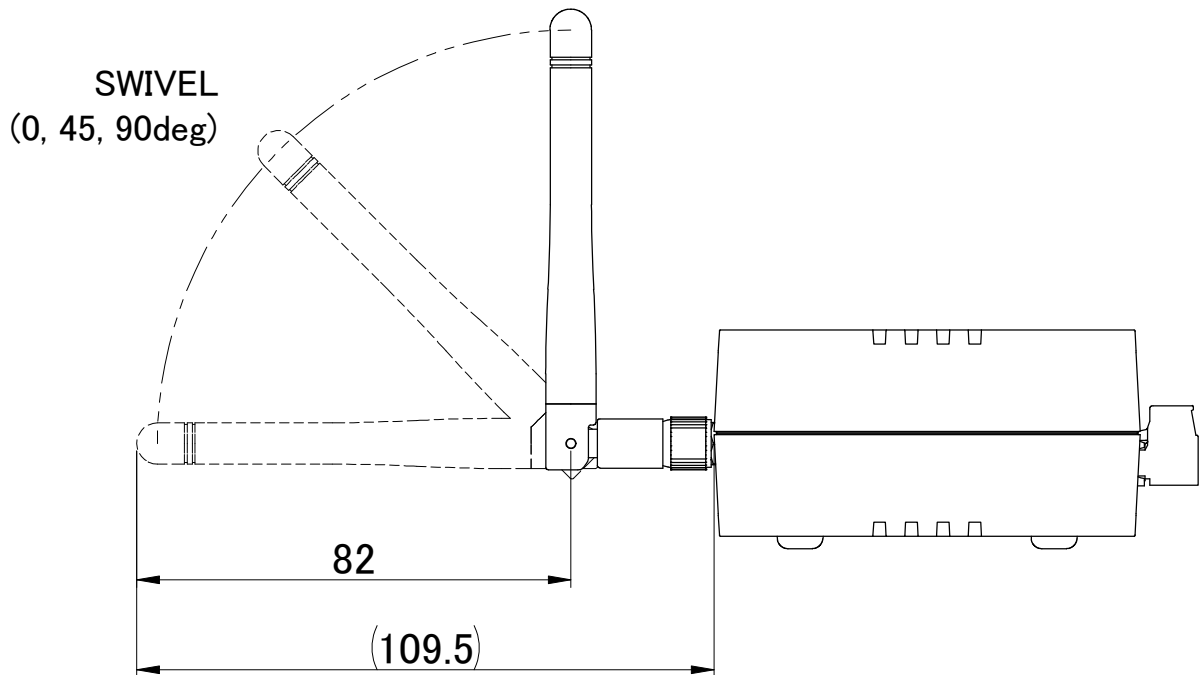
D

D

E

E

F



		SCALE	UNIT	MATERIAL
		-	mm	
CHK	DWG	TITLE		
		LNx-207W-4R Outline Drawing		
		DRAWING NO	REV	
		LNx207W4R-R1-DWG-A	A	

1

2

3

A4 SHEET 2 OF 2