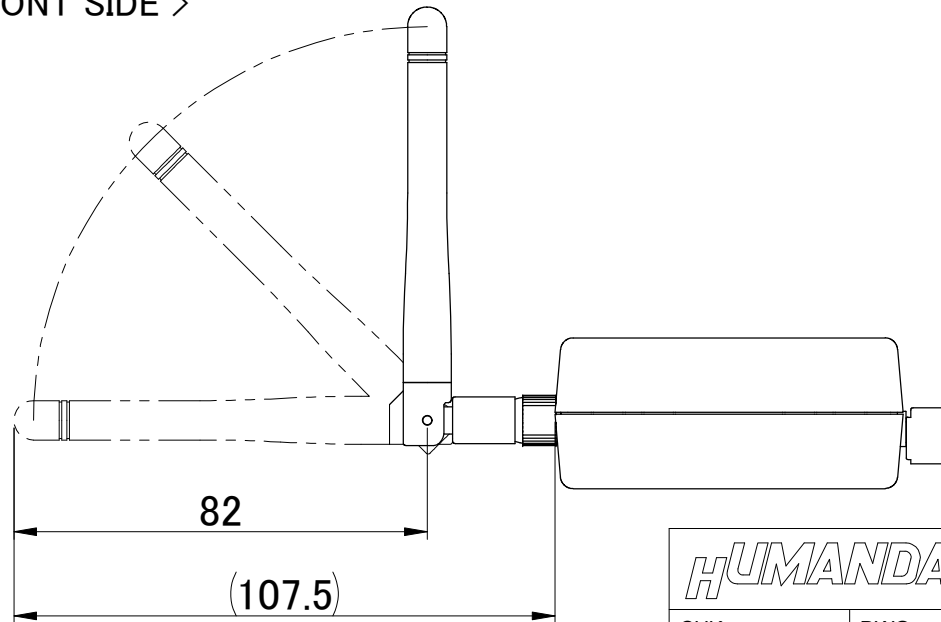


SWIVEL
(0, 45, 90deg)



HUMANDATA [®]		SCALE —	UNIT mm	MATERIAL
CHK	DWG	TITLE LNX-014W Outline Drawing		
		DRAWING NO LNX014WR1-DWG-B		REV B

1

2

3

4

5

6

A

A

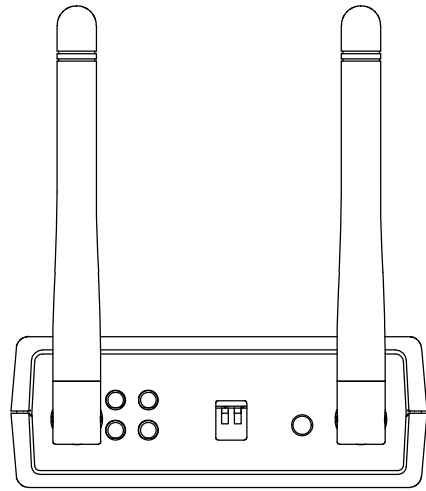
B

B

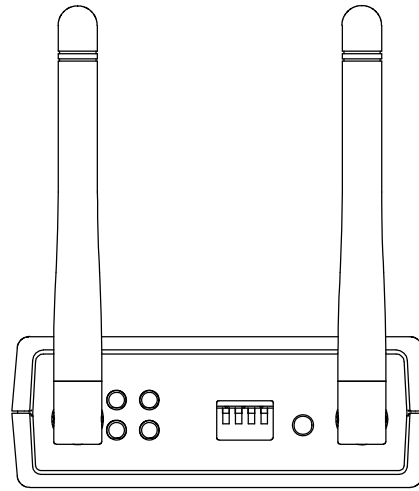
C

C

D



LNX-014W-2R
LNX-014W-2PR



LNX-014W-4D

< FRONT SIDE >

HUMANDATA ®		SCALE —	UNIT mm	MATERIAL
CHK	DWG	TITLE LNX-014W Outline Drawing		
		DRAWING NO LNX014WR1-DWG-B		REV B

1

2

3

4

5