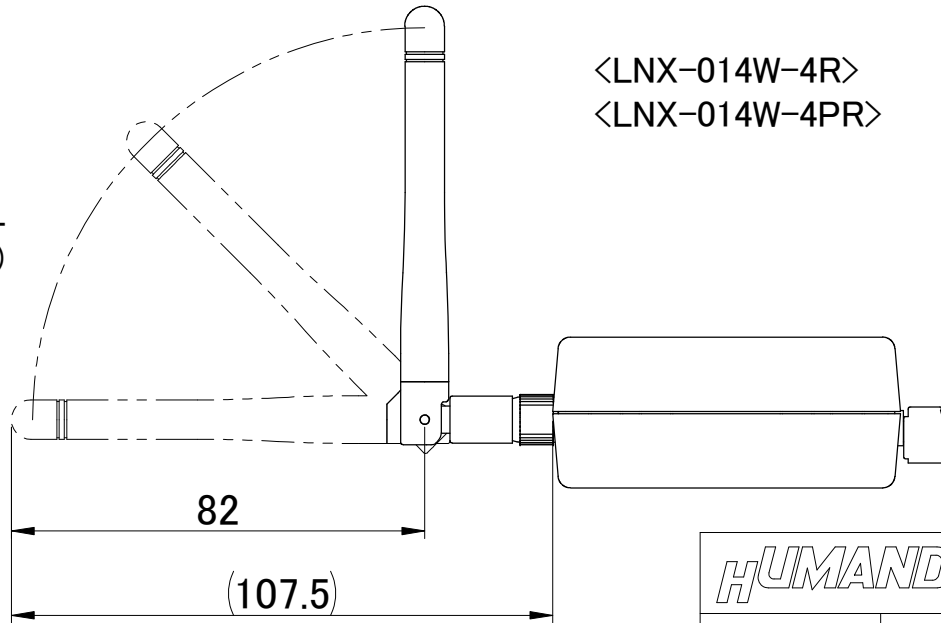


SWIVEL
(0, 45, 90deg)



<LNX-014W-4R>
<LNX-014W-4PR>

		SCALE	UNIT	MATERIAL
		-	mm	
CHK	DWG	TITLE		
		LNX-014W Outline Drawing		
		DRAWING NO		REV
		LNX014WR1-DWG-A		A