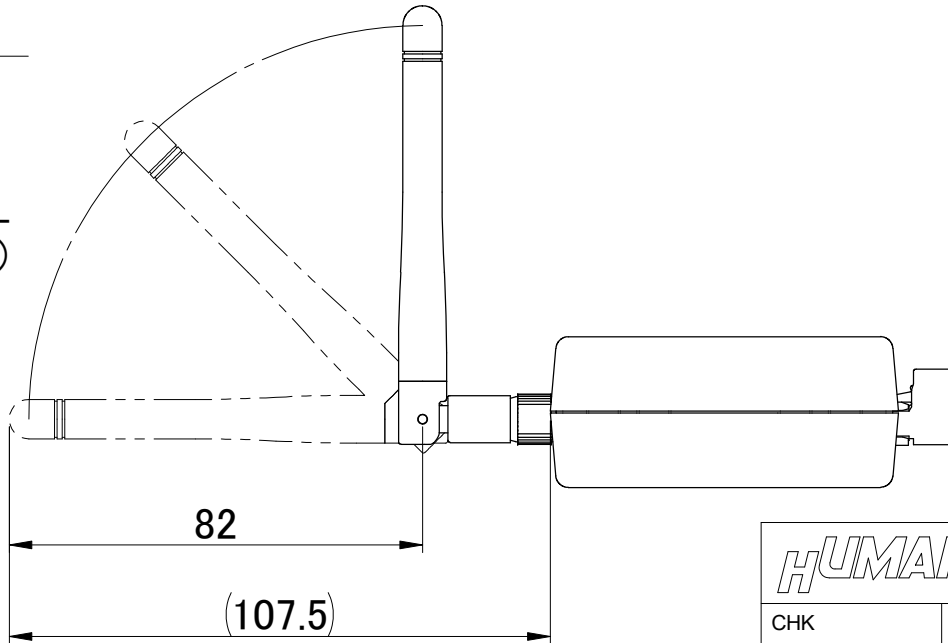


SWIVEL  
(0, 45, 90deg)



<b>HUMANDATA</b> <sup>®</sup>		SCALE —	UNIT mm	MATERIAL
CHK	DWG	TITLE <b>LNX-013W Outline Drawing</b>		
		DRAWING NO <b>LNX013WR1-DWG-A</b>		REV <b>A</b>