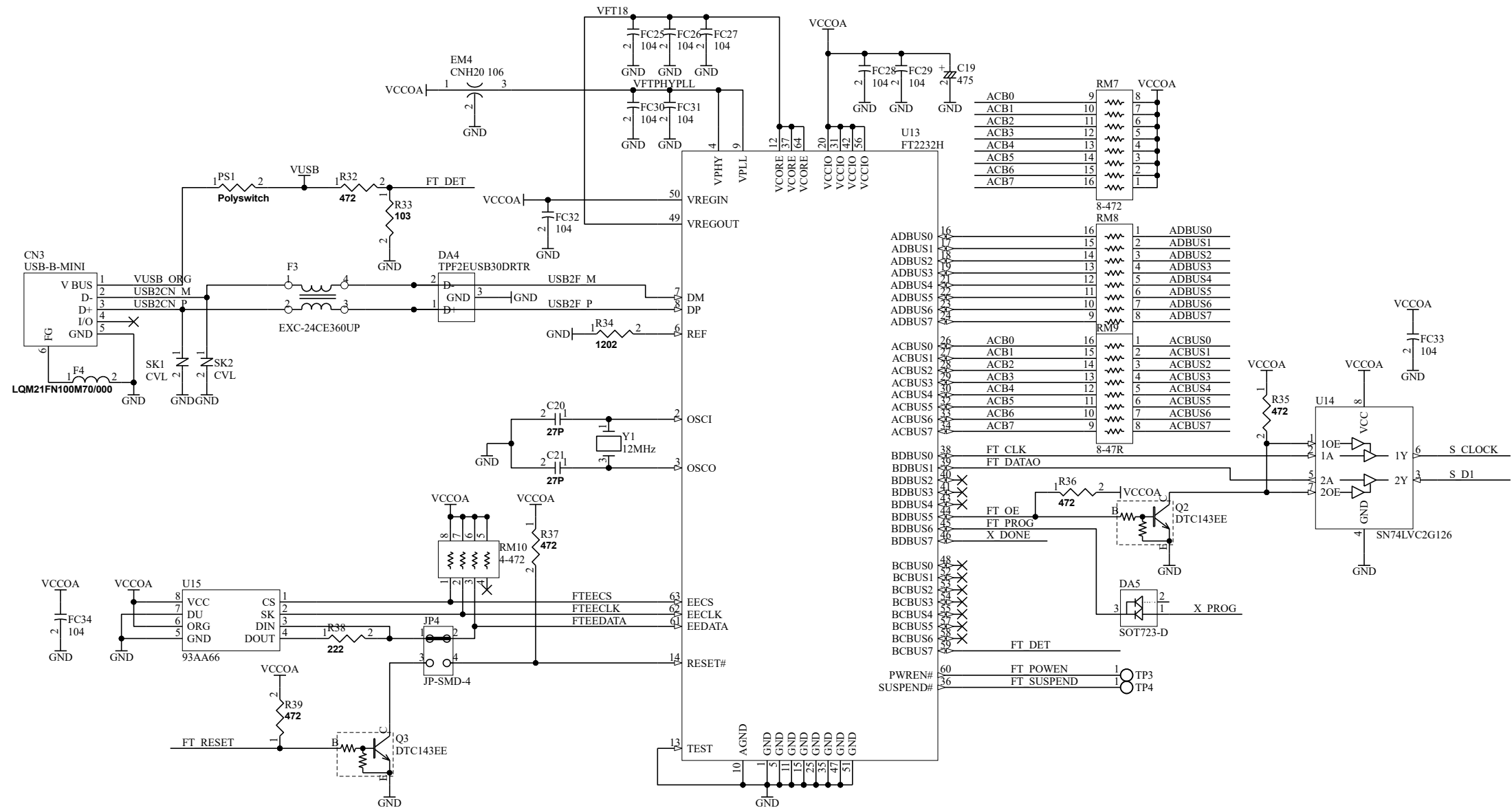


EDX303R1-SCH-C2.pdf

HUMANDATA
 HuMANDATA LTD.
www.hdl.co.jp/ (Japan)
www2.hdl.co.jp/en/ (Global)

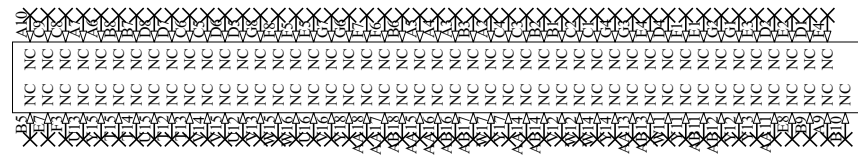
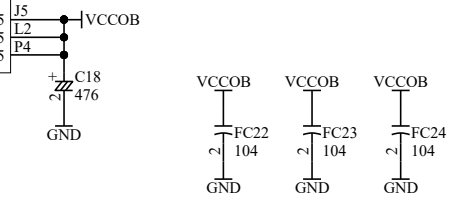
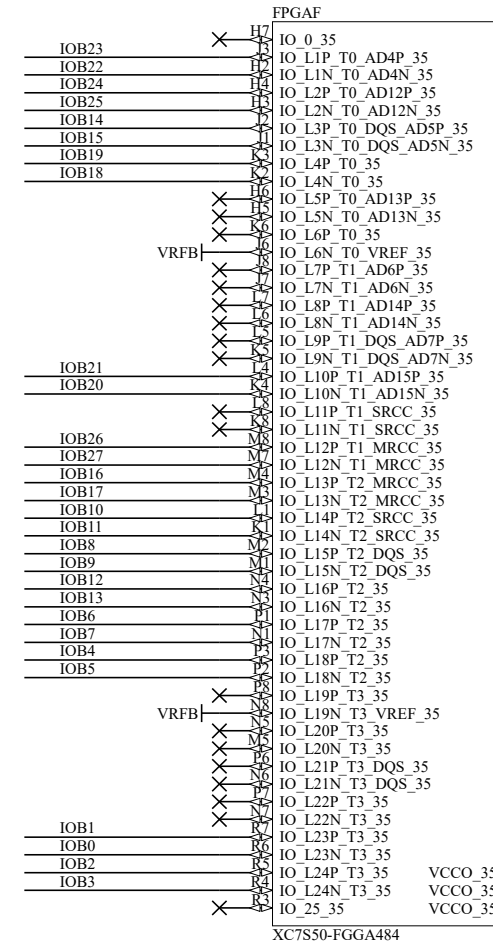
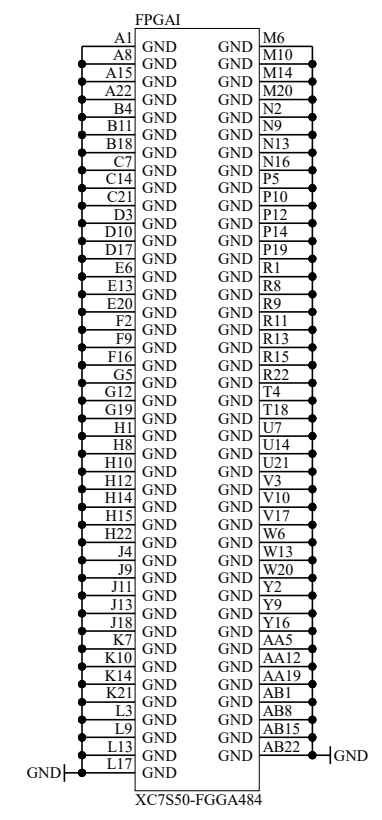
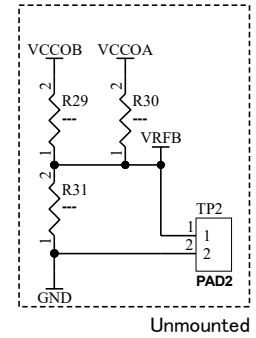
DSN:	TITLE: Spartan-7 FGA484 USB-FPGA Board
DOC. No: EDX-303	C2
FILE: IOA_CONFIG.SchDoc	DATE: 2020/08/07 17:53:03
Sheet: 2 / 5	V7.20200731

ADBUS0[0..7]	ADBUS0[0..7]
ACBUS0[0..7]	ACBUS0[0..7]
S CLOCK	S CLOCK
S D1	S D1
X PROG	X PROG
X DONE	X DONE
FT DET	FT DET
FT RESET	FT RESET



DSN:	TITLE: Spartan-7 FGA484 USB-FPGA Board
DOC. No:	EDX-303
FILE: USB.SchDoc	DATE: 2020/08/07 17:53:03
Sheet: 3 / 5	C2

IOB[0..27] IOB[0..27]

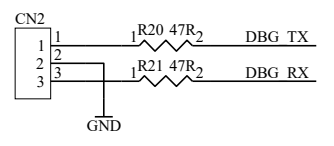
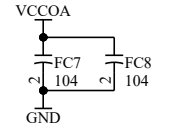
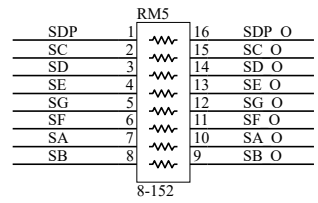
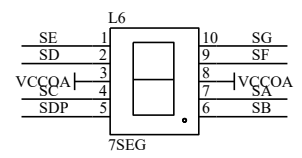
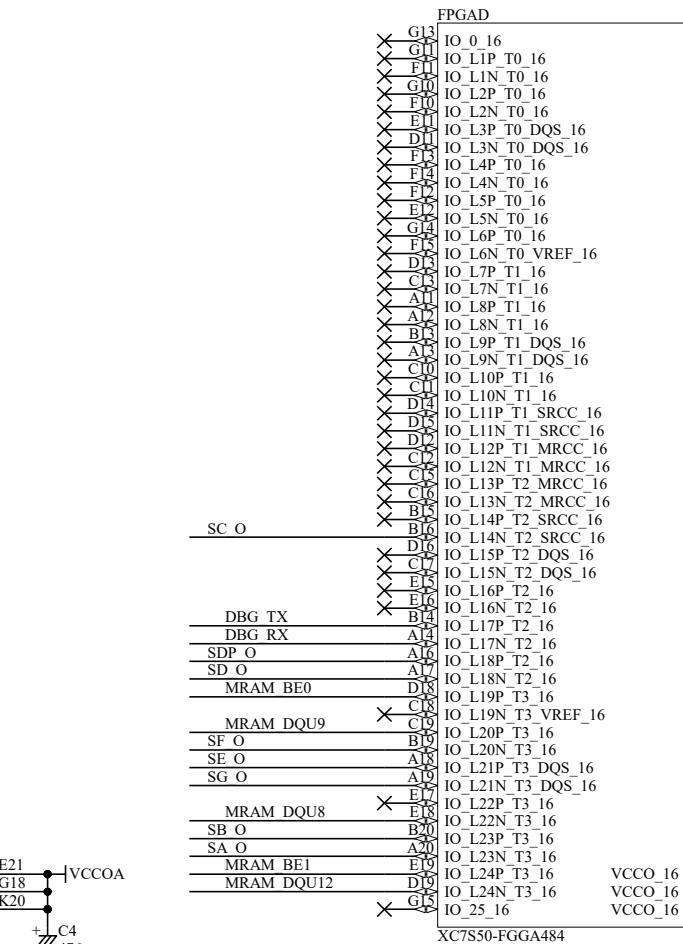
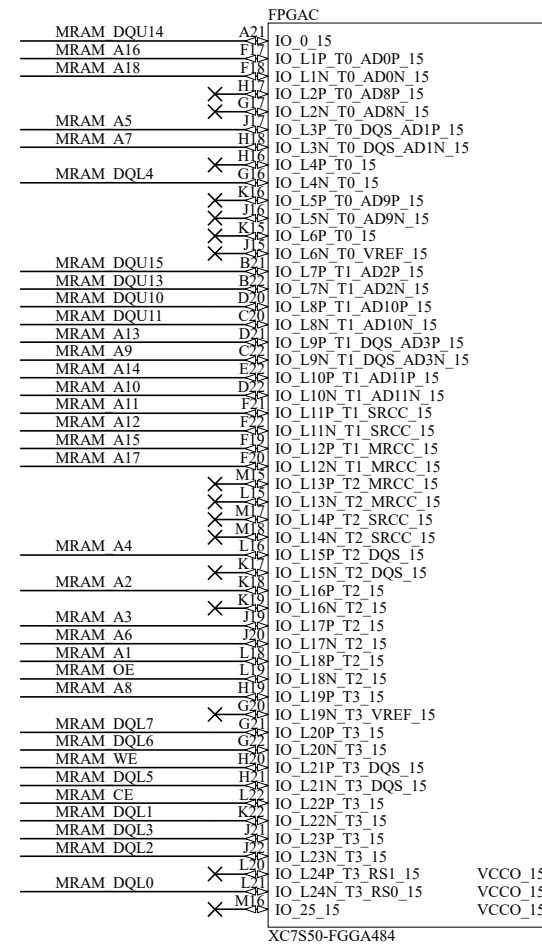
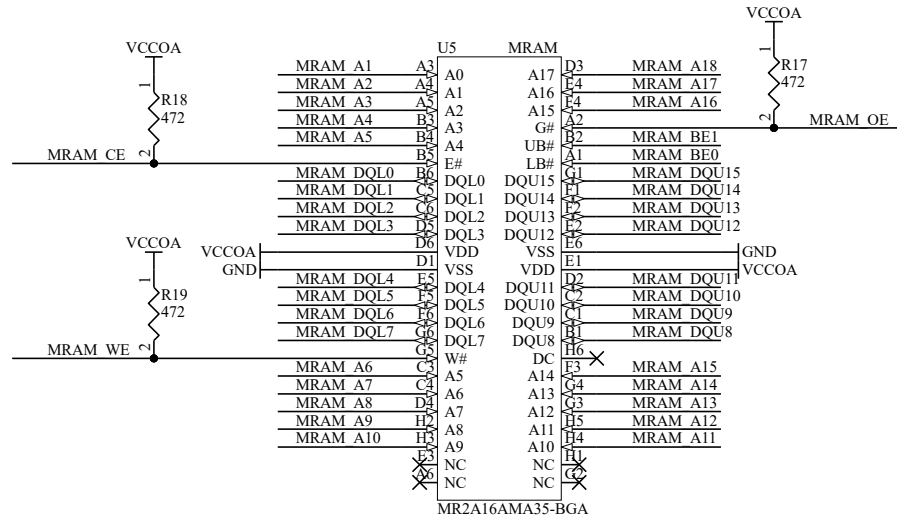


FPGA I
XC7S50-FGGA484

EDX303R1-SCH-C2.pdf

HUMANDATA
 HuMANDATA LTD.
www.hdl.co.jp/ (Japan)
www2.hdl.co.jp/en/ (Global)

DSN:	TITLE: Spartan-7 FGGA484 USB-FPGA Board	
DOC. No:	EDX-303	C2
FILE: IOB.SchDoc	DATE: 2020/08/07 17:53:03	Sheet: 4 / 5



DSN:	TITLE: Spartan-7 FGGA484 USB FPGA Board
DOC. No: EDX-303	C2
FILE: Memory.SchDoc	DATE: 2020/08/07 17:53:03
Sheet: 5 / 5	V7.20200731