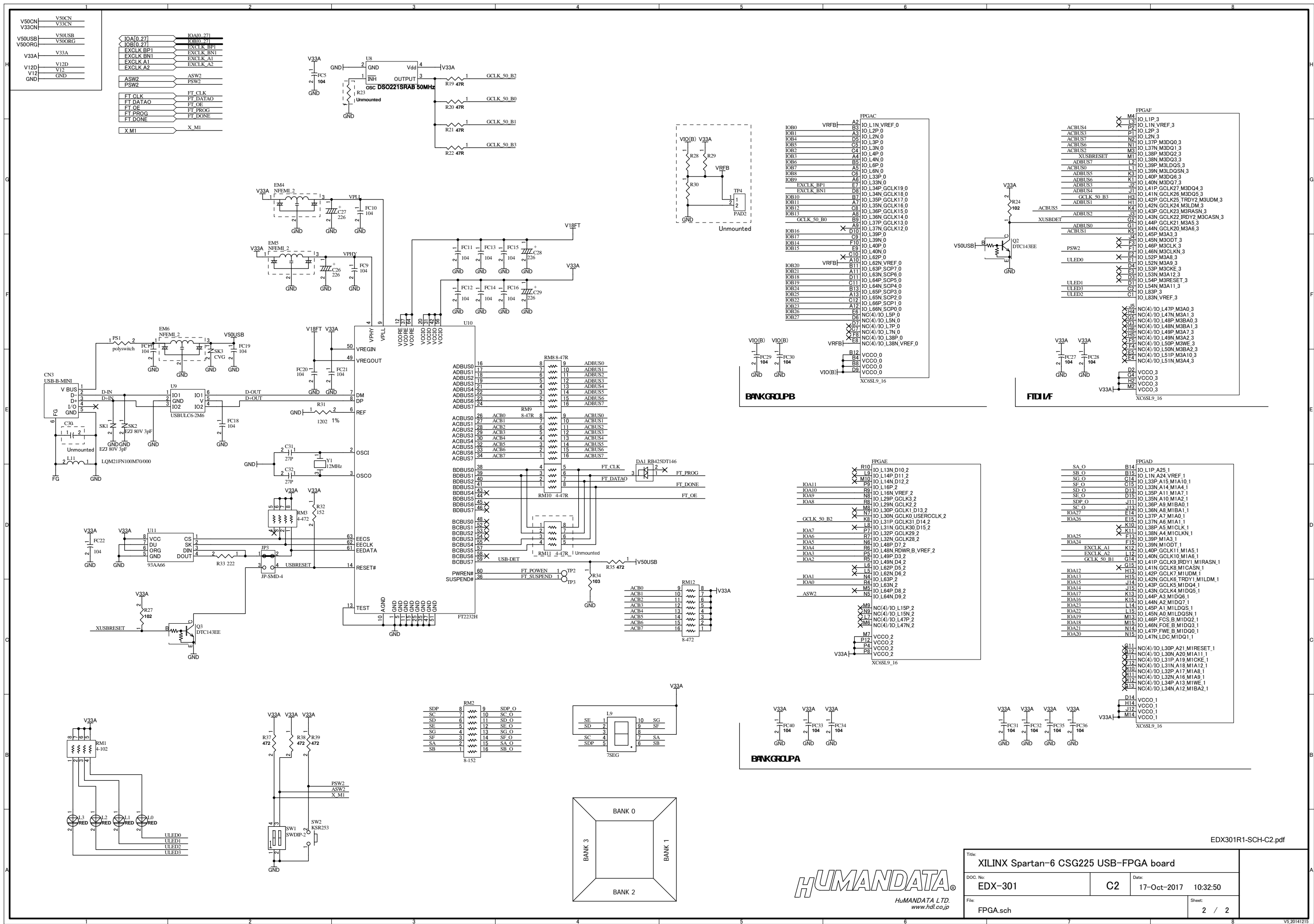


FPGA	FPGA.sch
IOA0_27	IOA[0.27]
IOB0_27	IOB[0.27]
EXCLK_BP1	EXCLK_BP1
EXCLK_BN1	EXCLK_BN1
EXCLK_A1	EXCLK_A1
EXCLK_A2	EXCLK_A2
ASW2	ASW2
PSW2	PSW2
FT_CLK	FT_CLK
FT_DATA0	FT_DATA0
FT_OE	FT_OE
FT_PROG	FT_PROG
FT_DONE	FT_DONE
X_M1	X_M1



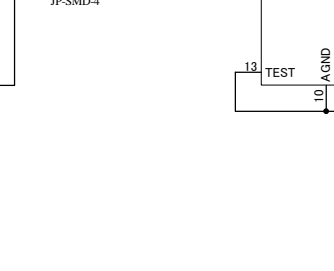
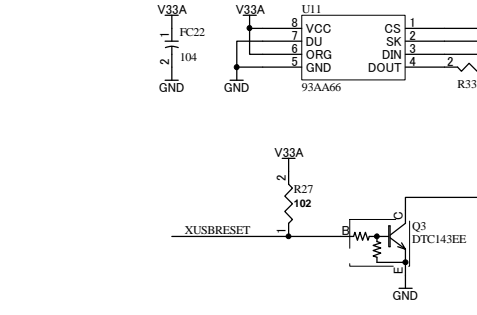
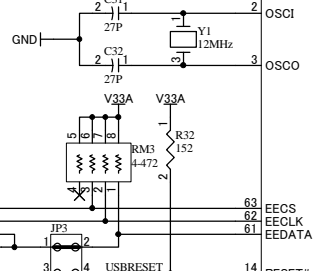
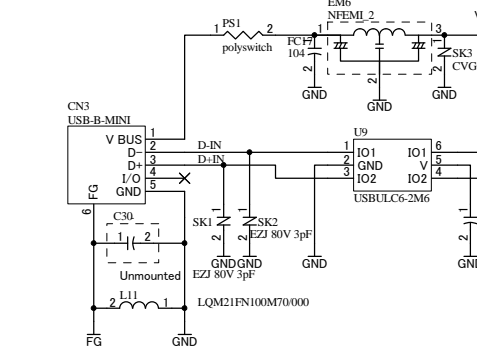
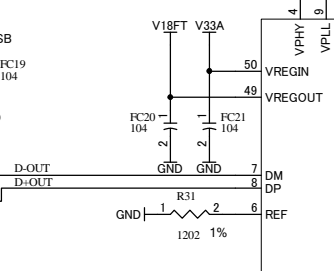
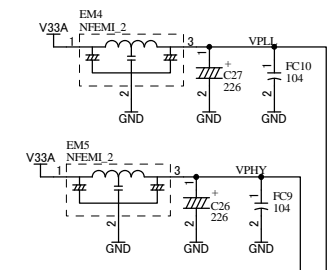
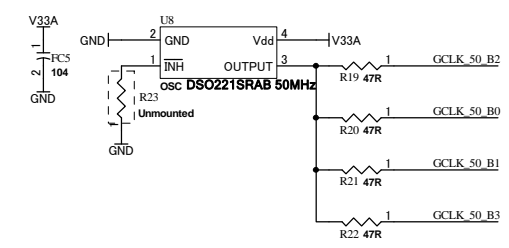
Title: XILINX Spartan-6 CSG225 USB-FPGA board			
DOC. No: EDX-301	C2	Date: 17-Oct-2017	10:32:50
File: EDX301C.sch		Sheet: 1 / 2	

EDX301R1-SCH-C2.pdf

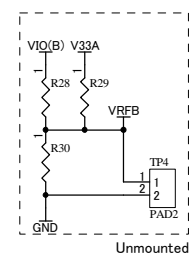
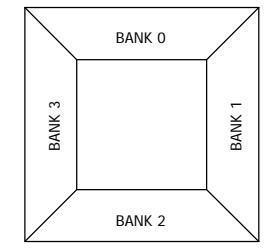
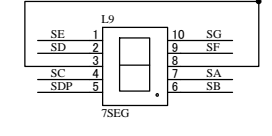


V50CN	V50CN
V33CN	V33CN
V50USB	V50USB
V50ORG	V50ORG
V33A	V33A
V12D	V12D
V12	V12
GND	GND

IOA[0:27]	IOA0:27
IOB[0:27]	IOB0:27
EXCLK BP1	EXCLK BP1
EXCLK BN1	EXCLK BN1
EXCLK A1	EXCLK A1
EXCLK A2	EXCLK A2
ASW2	ASW2
PSW2	PSW2
FT CLK	FT CLK
FT DATA0	FT DATA0
FT OE	FT OE
FT PROG	FT PROG
FT DONE	FT DONE
X.M1	X.M1



SDP	8	9	SDP O
SC	7	10	SC O
SD	6	11	SD O
SE	5	12	SE O
SG	4	13	SG O
SF	3	14	SF O
SA	2	15	SA O
SB	1	16	SB O

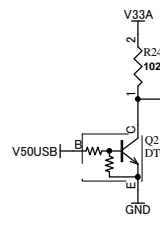


IOB0	A2	IO L1N VREF_0
IOB1	A3	IO L2P_0
IOB4	D5	IO L2N_0
IOB5	G5	IO L3P_0
IOB2	C4	IO L3N_0
IOB3	A4	IO L4P_0
IOB6	B5	IO L4N_0
IOB7	A5	IO L6P_0
IOB8	C6	IO L6N_0
IOB9	A6	IO L33P_0
EXCLK BP1	E7	IO L34P GCLK19.0
EXCLK BN1	D8	IO L34N GCLK18.0
IOB10	B7	IO L35P GCLK17.0
IOB11	A7	IO L35N GCLK16.0
IOB12	C8	IO L36P GCLK15.0
IOB13	A8	IO L36N GCLK14.0
GCLK_50_B0	D9	IO L37M GCLK13.0
IOB16	X A9	IO L37P GCLK12.0
IOB17	C9	IO L39P_0
IOB14	F10	IO L39N_0
IOB15	E9	IO L40P_0
X G10	D10	IO L40N_0
X G10	E10	IO L62P_0
IOB20	VRFB	IO L62N VREF_0
IOB21	A11	IO L63P SCP7_0
IOB18	D11	IO L63N SCOP6_0
IOB19	G11	IO L64P SCOP5_0
IOB25	A13	IO L64N SCOP4_0
IOB22	A12	IO L65P SCOP3_0
IOB23	G12	IO L65N SCOP2_0
IOB26	E6	IO L66P SCOP1_0
IOB27	D6	IO L66N SCOP0_0
X D7	D6	NC(4)/IO L5P_0
X D7	D7	NC(4)/IO L5N_0
X D7	D8	NC(4)/IO L7P_0
X D7	D8	NC(4)/IO L7N_0
X D7	D9	NC(4)/IO L38P_0
X D7	D9	NC(4)/IO L38N VREF_0

BANKGRUPP

IOA11	R10	IO L13N D10.2
IOA10	L9	IO L14P D11.2
IOA9	M10	IO L14N D12.2
IOA8	P9	IO L16P_2
X M8	N8	IO L16N VREF_2
X M8	N8	IO L29P GCLK3.2
X M8	N8	IO L29N GCLK2.2
X M8	N8	IO L30P GCLK1.D13.2
X M8	N8	IO L30N GCLK0.USERGCLK2
X M8	N8	IO L31P GCLK3.D14.2
X M8	N8	IO L31N GCLK3.D15.2
X M8	N8	IO L32P GCLK29.2
X M8	N8	IO L32N GCLK28.2
X M8	N8	IO L48P D7.2
X M8	N8	IO L48N RDWR_B.VREF_2
X M8	N8	IO L49P D3.2
X M8	N8	IO L49N D4.2
X M8	N8	IO L62P D5.2
X M8	N8	IO L62N D6.2
X M8	N8	IO L63P_2
X M8	N8	IO L63N_2
X M8	N8	IO L64P D8.2
X M8	N8	IO L64N D9.2
X M9	N9	NC(4)/IO L15P_2
X M9	N9	NC(4)/IO L15N_2
X M9	N9	NC(4)/IO L47P_2
X M9	N9	NC(4)/IO L47N_2

BANKGRUPA



FIDI/F

ACBUS4	M4	IO L1P_3
ACBUS3	P2	IO L1N VREF_3
ACBUS7	N2	IO L2P_3
ACBUS6	N1	IO L2N_3
ACBUS2	M3	IO L37P M3DQ0.3
XUSBRESET	M1	IO L37N M3DQ1.3
ACBUS0	L1	IO L38P M3DQ0.3
ACBUS5	K3	IO L38N M3DQ0.3
ACBUS1	L2	IO L39P M3LDQSN.3
ACBUS6	K2	IO L39N M3LDQSN.3
ACBUS3	N1	IO L40P M3DQ6.3
ACBUS4	M1	IO L40N M3DQ7.3
GCLK_50_B3	H3	IO L41P GCLK27.M3DQ4.3
ACBUS5	J1	IO L41N GCLK26.M3DQ5.3
ACBUS1	H1	IO L42P GCLK25.TRDY2.M3UDM.3
ACBUS2	K4	IO L42N GCLK24.M3LDM.3
ACBUS0	L3	IO L43P GCLK23.M3RASN.3
ACBUS1	K3	IO L43N GCLK22.IRDY2.M3CASN.3
ACBUS0	G1	IO L44P GCLK21.M3A5.3
ACBUS1	K5	IO L44N GCLK20.M3A6.3
ACBUS1	K5	IO L45P M3A3.3
ACBUS1	K5	IO L45N M3ODT.3
ACBUS1	K5	IO L46P M3CLN.3
ACBUS1	K5	IO L46N M3CLN.3
ACBUS1	K5	IO L52P M3A8.3
ACBUS1	K5	IO L52N M3A9.3
ACBUS1	K5	IO L53P M3CKE.3
ACBUS1	K5	IO L53N M3A12.3
ACBUS1	K5	IO L54P M3RESET.3
ACBUS1	K5	IO L54N M3A11.3
ACBUS1	K5	IO L83P_3
ACBUS1	K5	IO L83N VREF_3
ACBUS1	K5	NC(4)/IO L47P M3A0.3
ACBUS1	K5	NC(4)/IO L47N M3A1.3
ACBUS1	K5	NC(4)/IO L48P M3BA0.3
ACBUS1	K5	NC(4)/IO L48N M3BA1.3
ACBUS1	K5	NC(4)/IO L49P M3A7.3
ACBUS1	K5	NC(4)/IO L49N M3A2.3
ACBUS1	K5	NC(4)/IO L50P M3WE.3
ACBUS1	K5	NC(4)/IO L50N M3BA2.3
ACBUS1	K5	NC(4)/IO L51P M3A10.3
ACBUS1	K5	NC(4)/IO L51N M3A4.3

SA_O	B14	IO L1P A25.1
SB_O	B15	IO L1N A24 VREF_1
SC_O	C14	IO L33P A15.M1A10.1
SD_O	D13	IO L33N A14.M1A4.1
SE_O	D15	IO L35P A11.M1A7.1
SF_O	D15	IO L35N A10.M1A2.1
SG_O	J11	IO L36P A9.M1BA0.1
SH_O	J13	IO L36N A8.M1BA1.1
SI_O	J13	IO L37P A7.M1A0.1
SO_O	E14	IO L37N A6.M1A1.1
SI_O	E14	IO L38P A5.M1CLK.1
SI_O	K11	IO L38N A4.M1CLKN.1
SI_O	K11	IO L39P M1A3.1
SI_O	K11	IO L39N M1ODT.1
SI_O	K11	IO L40P GCLK11.M1A5.1
SI_O	K11	IO L40N GCLK10.M1A6.1
SI_O	K11	IO L41P GCLK9.IRDY1.M1RASN.1
SI_O	K11	IO L41N GCLK8.M1CASN.1
SI_O	K11	IO L42P GCLK7.M1UDM.1
SI_O	K11	IO L42N GCLK6.TRDY1.M1LDM.1
SI_O	K11	IO L43P GCLK5.M1DQ4.1
SI_O	K11	IO L43N GCLK4.M1DQ5.1
SI_O	K11	IO L44P A3.M1DQ6.1
SI_O	K11	IO L44N A2.M1DQ7.1
SI_O	K11	IO L45P A1.M1LDQSN.1
SI_O	K11	IO L45N A0.M1LDQSN.1
SI_O	K11	IO L46P FCS_B.M1DQ2.1
SI_O	K11	IO L46N FCS_B.M1DQ3.1
SI_O	K11	IO L47P FWE_B.M1DQ0.1
SI_O	K11	IO L47N LDC.M1DQ1.1
SI_O	K11	NC(4)/IO L30P A21.M1RESET.1
SI_O	K11	NC(4)/IO L30N A20.M1A11.1
SI_O	K11	NC(4)/IO L31P A19.M1CKE.1
SI_O	K11	NC(4)/IO L31N A18.M1A12.1
SI_O	K11	NC(4)/IO L32P A17.M1A8.1
SI_O	K11	NC(4)/IO L32N A16.M1A9.1
SI_O	K11	NC(4)/IO L34P A13.M1WE.1
SI_O	K11	NC(4)/IO L34N A12.M1BA2.1

