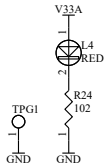
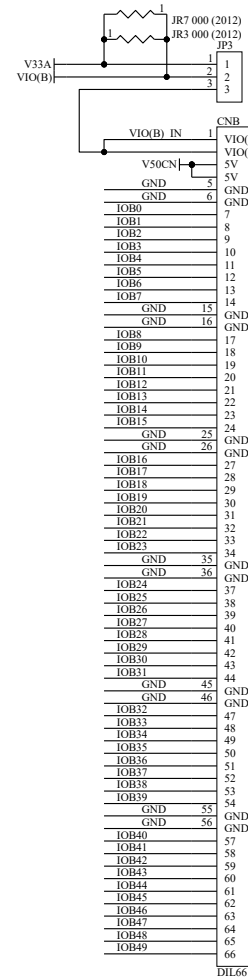


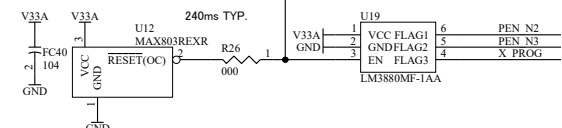
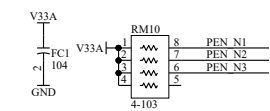
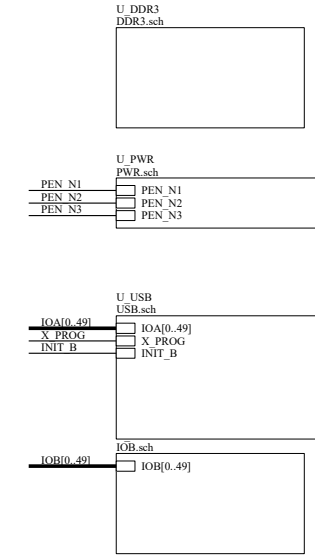
[POWER]



CNA	
V33CNA	3V3
V50CN	5V
GND	5V
GND	5
GND	6
IOA0	7
IOA1	8
IOA2	9
IOA3	10
IOA4	11
IOA5	12
IOA6	13
IOA7	14
GND	15
GND	16
IOA8	17
IOA9	18
IOA10	19
IOA11	20
IOA12	21
IOA13	22
IOA14	23
IOA15	24
GND	25
GND	26
IOA16	27
IOA17	28
IOA18	29
IOA19	30
IOA20	31
IOA21	32
IOA22	33
IOA23	34
GND	35
GND	36
IOA24	37
IOA25	38
IOA26	39
IOA27	40
IOA28	41
IOA29	42
IOA30	43
IOA31	44
GND	45
GND	46
IOA32	47
IOA33	48
IOA34	49
IOA35	50
IOA36	51
IOA37	52
IOA38	53
IOA39	54
GND	55
GND	56
IOA40	57
IOA41	58
IOA42	59
IOA43	60
IOA44	61
IOA45	62
IOA46	63
IOA47	64
IOA48	65
IOA49	66



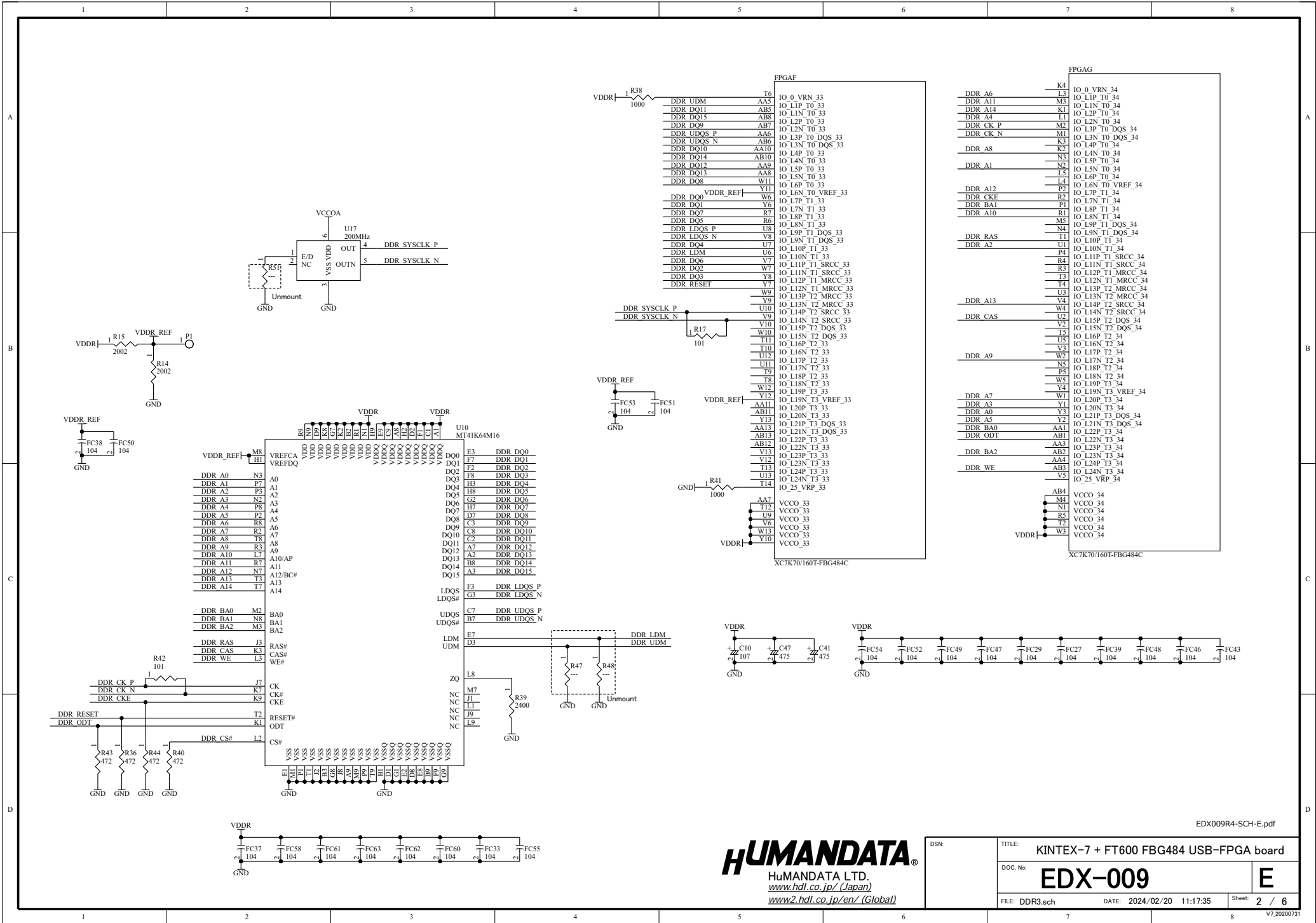
CNB	
V50CN	5V
GND	5
GND	6
IOB0	7
IOB1	8
IOB2	9
IOB3	10
IOB4	11
IOB5	12
IOB6	13
IOB7	14
GND	15
GND	16
IOB8	17
IOB9	18
IOB10	19
IOB11	20
IOB12	21
IOB13	22
IOB14	23
IOB15	24
GND	25
GND	26
IOB16	27
IOB17	28
IOB18	29
IOB19	30
IOB20	31
IOB21	32
IOB22	33
IOB23	34
GND	35
GND	36
IOB24	37
IOB25	38
IOB26	39
IOB27	40
IOB28	41
IOB29	42
IOB30	43
IOB31	44
GND	45
GND	46
IOB32	47
IOB33	48
IOB34	49
IOB35	50
IOB36	51
IOB37	52
IOB38	53
IOB39	54
GND	55
GND	56
IOB40	57
IOB41	58
IOB42	59
IOB43	60
IOB44	61
IOB45	62
IOB46	63
IOB47	64
IOB48	65
IOB49	66



HUMAN DATA
 HUMAN DATA LTD.
[www.hdl.co.jp/ \(Japan\)](http://www.hdl.co.jp/)
[www2.hdl.co.jp/en/ \(Global\)](http://www2.hdl.co.jp/en/)

DSN:	TITLE: KINTEX-7 + FT600 FBG484 USB-FPGA board
DOC. No:	EDX-009
FILE: EDX009E.sch	DATE: 2024/02/20 11:17:35
Sheet: 1 / 6	E

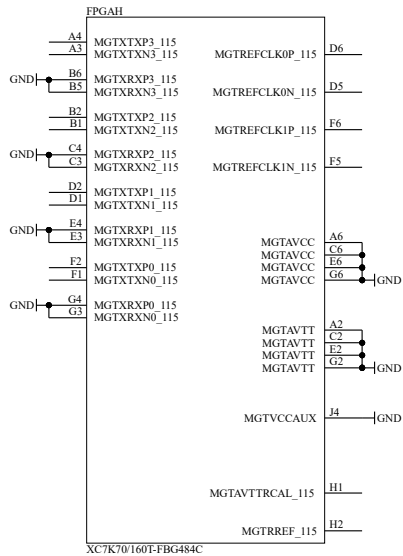
EDX009R4-SCH-E.pdf



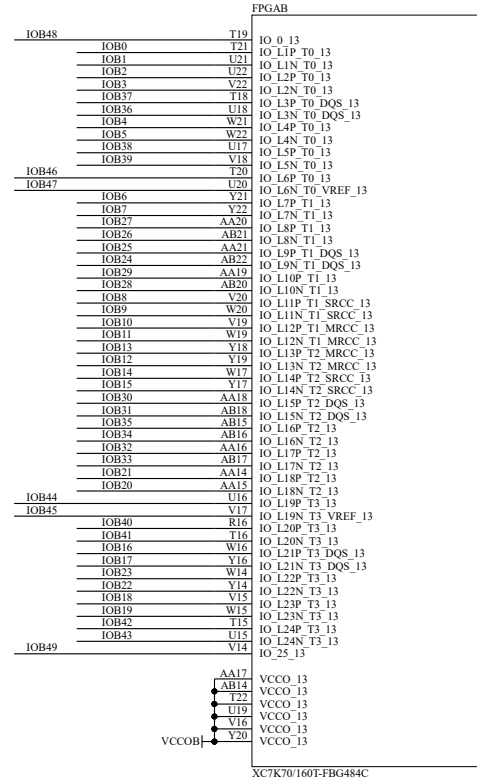
HUMAN DATA
 HUMAN DATA LTD.
[www.hdl.co.jp/ \(Japan\)](http://www.hdl.co.jp/)
[www2.hdl.co.jp/en/ \(Global\)](http://www2.hdl.co.jp/en/ (Global))

DSN:	TITLE: KINTEX-7 + FT600 FBG484 USB-FPGA board
DOC. No:	EDX-009
FILE: DDR3.sch	DATE: 2024/02/20 11:17:35
Sheet: 2 / 6	

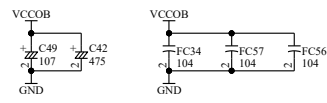
IOB[0..49]



XC7K70/160T-FBG484C



XC7K70/160T-FBG484C



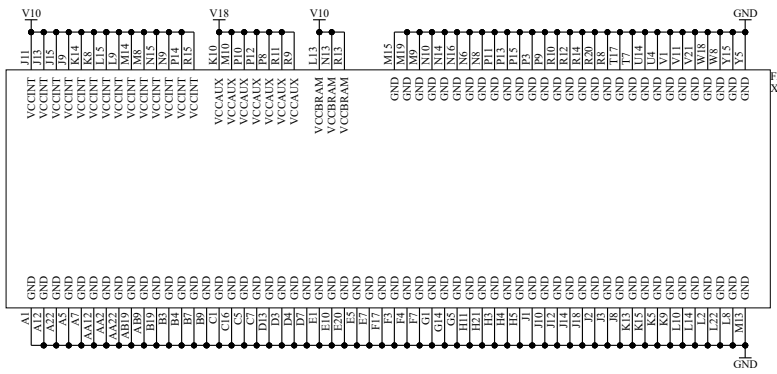
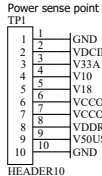
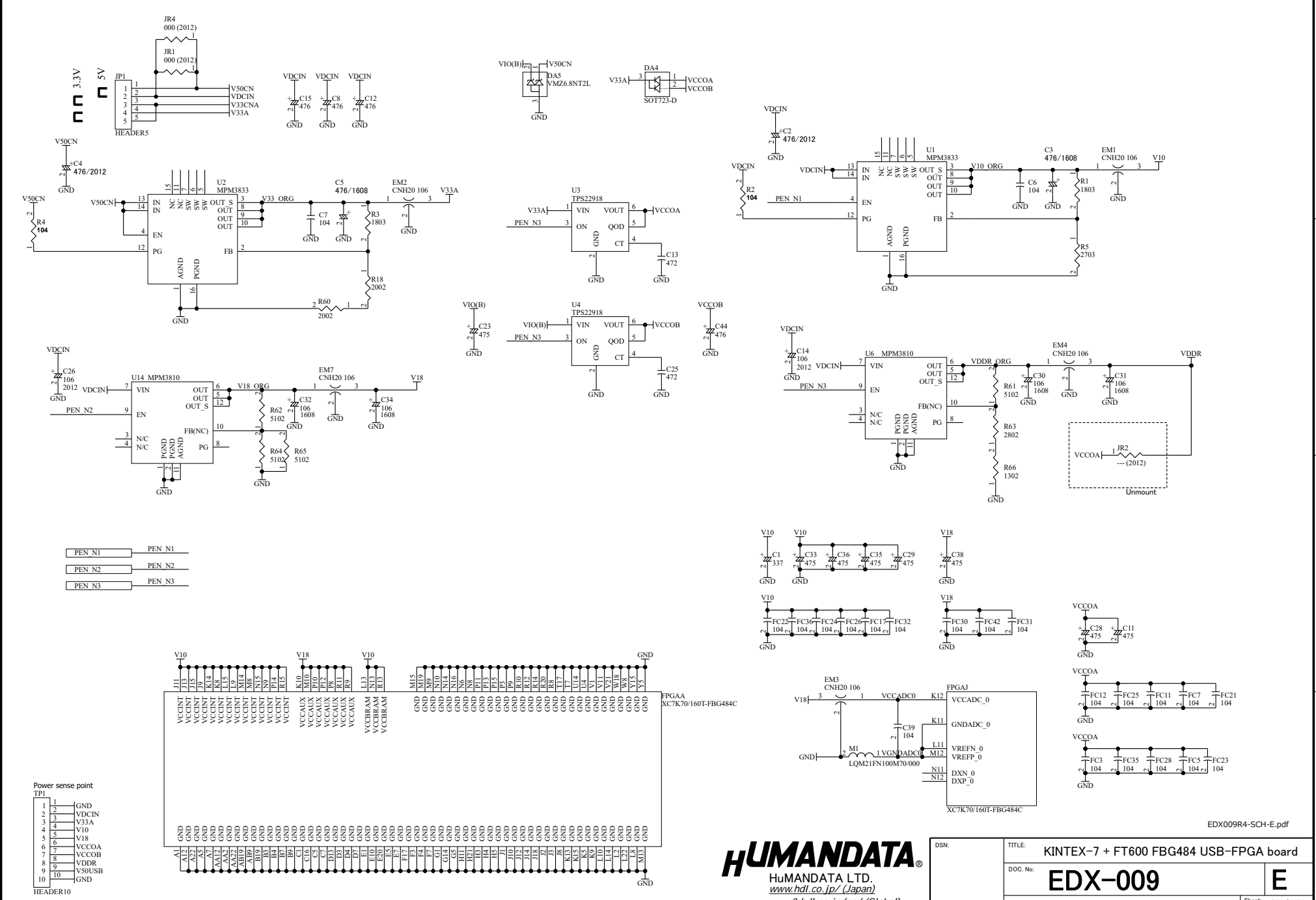
BANK Group B

HUMAN DATA
 HUMAN DATA LTD.
[www.hdl.co.jp/ \(Japan\)](http://www.hdl.co.jp/)
[www2.hdl.co.jp/en/ \(Global\)](http://www2.hdl.co.jp/en/)

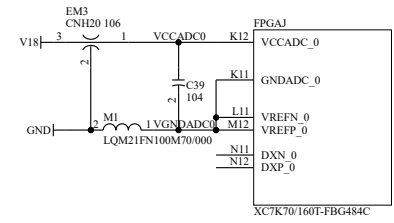
DSN:	TITLE: KINTEX-7 + FT600 FBG484 USB-FPGA board
DOC. No:	EDX-009
FILE: IOB.sch	DATE: 2024/02/20 11:17:35
Sheet:	3 / 6

EDX009R4-SCH-E.pdf

V7_20200731

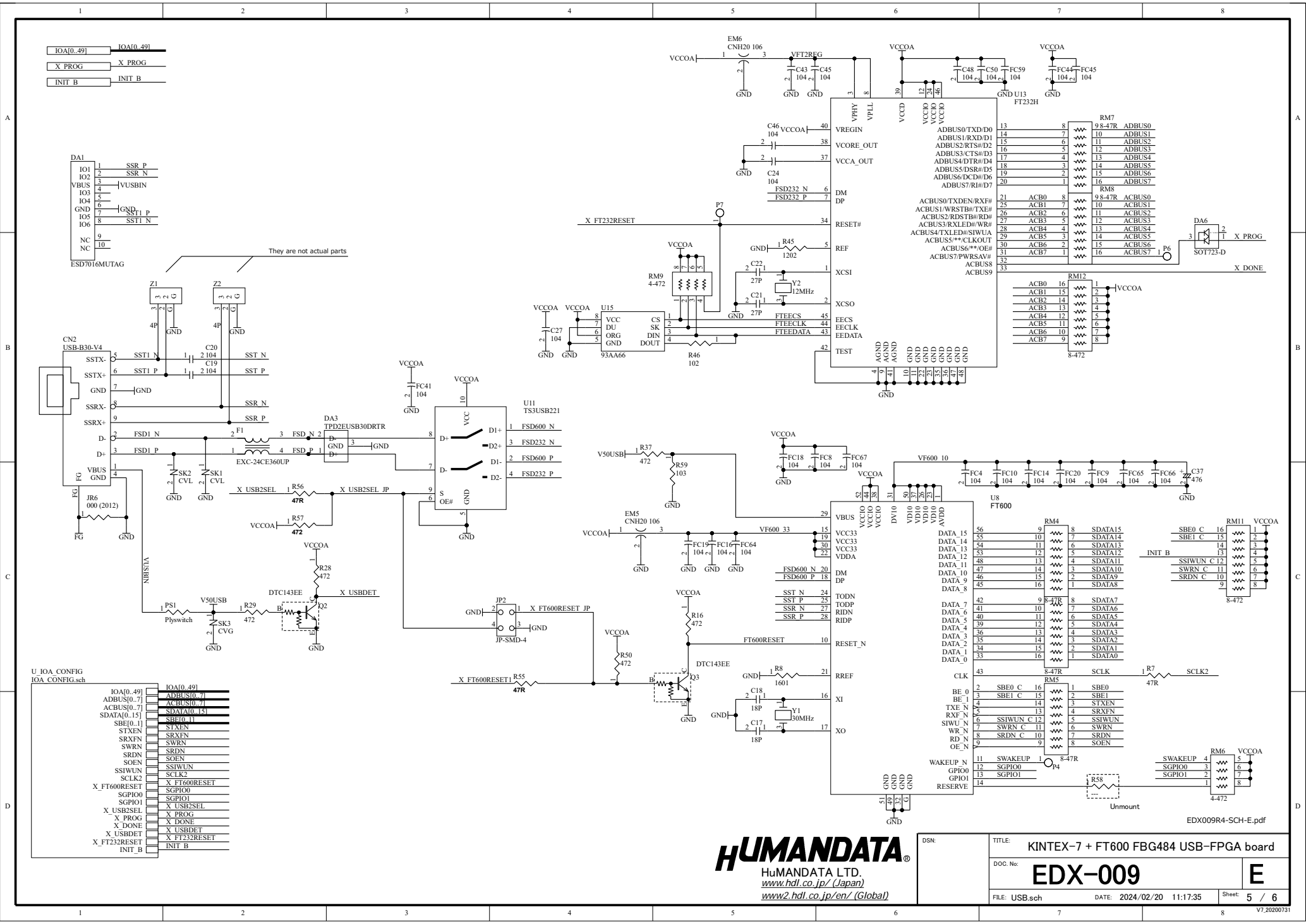


FPGAA
XC7K70/160T-FBG484C



DSN:

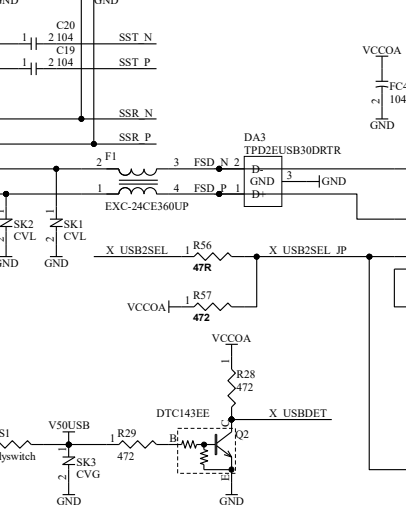
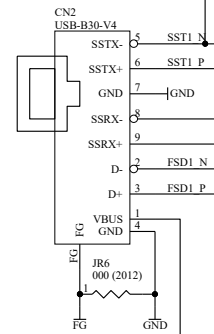
TITLE: KINTEX-7 + FT600 FBG484 USB-FPGA board
 DOC. No: EDX-009
 FILE: PWR.sch DATE: 2024/02/20 11:17:35 Sheet: 4 / 6



IOA[0..49] IOA[0..49]
 X_PROG X_PROG
 INIT_B INIT_B

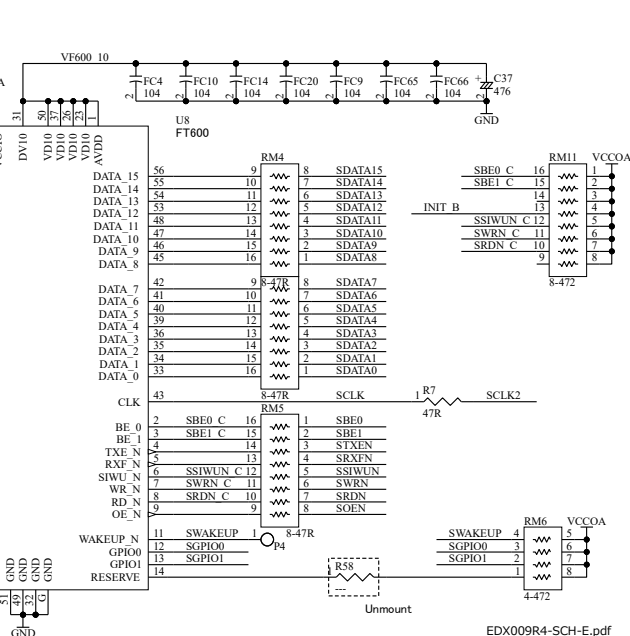
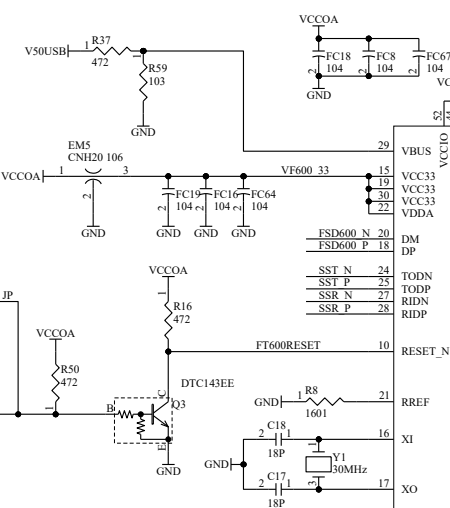
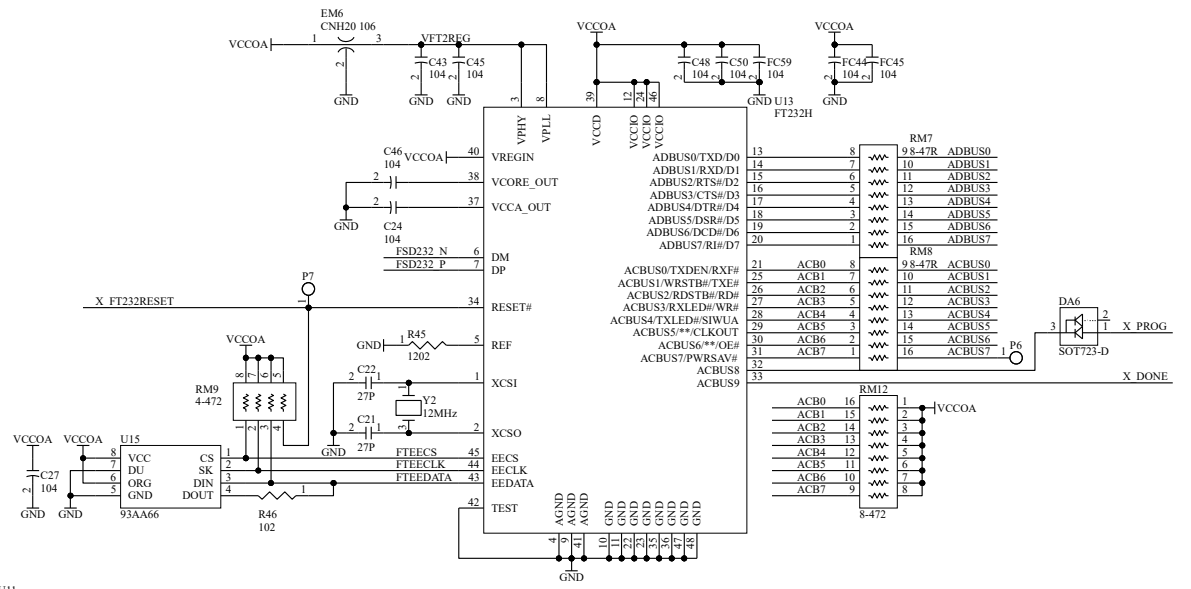
DA1
 IO1 1 SSR_P
 IO2 2 SSR_N
 3 VBUSIN
 IO3 4
 IO4 5
 GND 6 GND_P
 IO5 7 SST1_P
 IO6 8 SST1_N
 9
 NC 10

They are not actual parts



U_IOA CONFIG
 IOA CONFIG.sch

IOA[0..49]	IOA[0..49]
ADBUS[0..7]	ADBUS[0..7]
ACBUS[0..7]	ACBUS[0..7]
SDATA[0..15]	SDATA[0..15]
SBE[0..11]	SBE[0..11]
STXEN	STXEN
SRXFN	SRXFN
SWRN	SWRN
SRDN	SRDN
SOEN	SOEN
SSIWUN	SSIWUN
SCLK2	SCLK2
X_FT600RESET	X_FT600RESET
SGPIO0	SGPIO0
SGPIO1	SGPIO1
X_USB2SEL	X_USB2SEL
X_PROG	X_PROG
X_DONE	X_DONE
X_USBDDET	X_USBDDET
X_FT232RESET	X_FT232RESET
INIT_B	INIT_B



HUMAN DATA
 HuMANDATA LTD.
[www.hdl.co.jp/ \(Japan\)](http://www.hdl.co.jp/)
[www2.hdl.co.jp/en/ \(Global\)](http://www2.hdl.co.jp/en/ (Global))

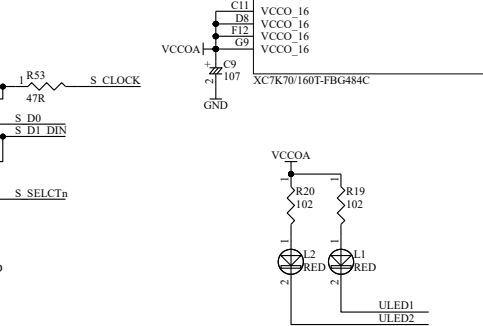
DSN:	TITLE: KINTEX-7 + FT600 FPG484 USB-FPGA board
DOC. No:	EDX-009
FILE: USB.sch	DATE: 2024/02/20 11:17:35
Sheet: 5 / 6	

BANK Group A

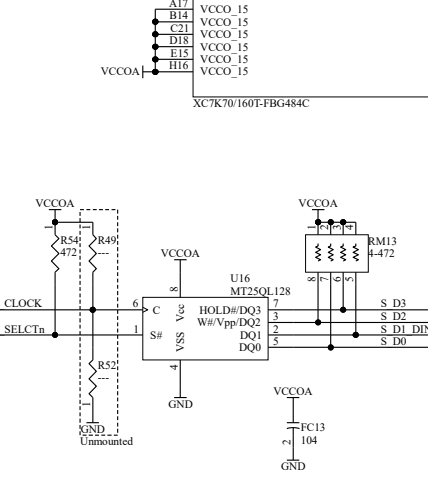
IOA[0..49]	IOA[0..49]
ADBUS[0..7]	ADBUS[0..7]
ACBUS[0..7]	ACBUS[0..7]
SDATA[0..15]	SDATA[0..15]
SBE[0..11]	SBE[0..11]
STXEN	STXEN
SRXFN	SRXFN
SWRN	SWRN
SRDN	SRDN
SOEN	SOEN
SSIWUN	SSIWUN
SCLK2	SCLK2
SGPIO0	SGPIO0
SGPIO1	SGPIO1

X FT600RESET	X FT600RESET
X FT232RESET	X FT232RESET
X USBDET	X USBDET
X PROG	X PROG
X DONE	X DONE
X USB2SEL	X USB2SEL
INIT B	INIT B

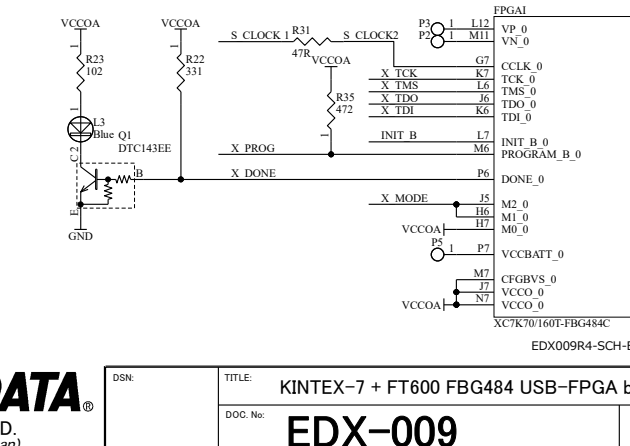
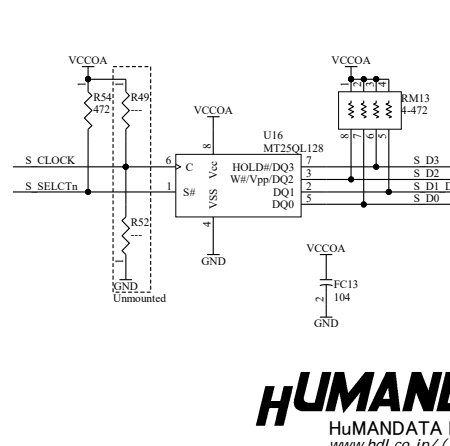
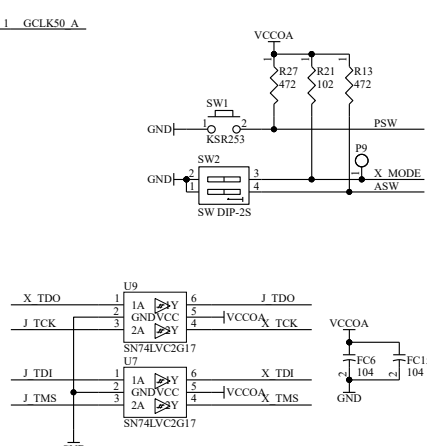
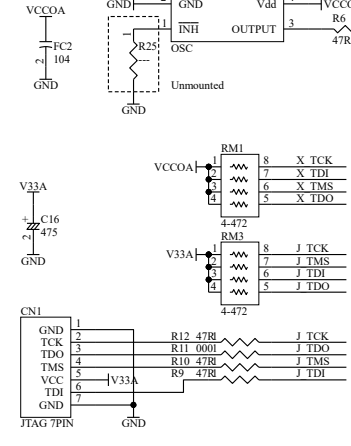
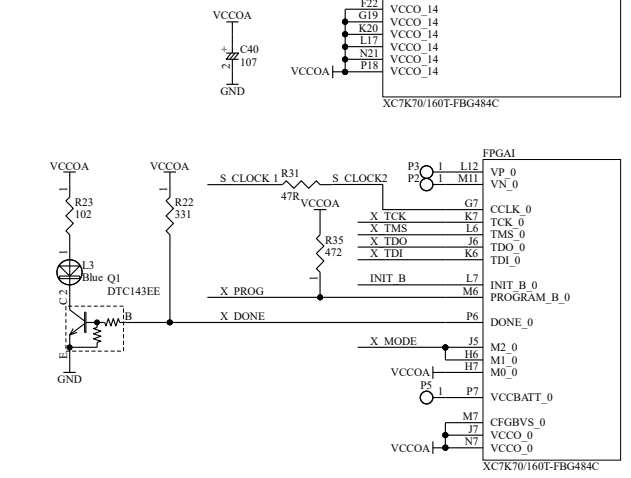
FPGA	
X USBDET	F14
X USB2SEL	D10
ASW	C10
	G13
	C12
	B13
	F15
	F16
	A13
	A14
	C13
	B13
	F11
	E12
	E13
	E11
	F10
	F11
	F10
	G10
	H12
	G10
	H12
	G12
	F9
	E9
	H9
	H8
	G8
	F8
	H10
	D9
	C9
	B11
	B10
	A9
	A8
	C8
	B8
	A11
	A10
	E8



FPGA	
IO 0..15	G15
IO L1P T0 AD0P..15	D12
IO L1N T0 AD0N..15	G16
IO L2P T0 AD0P..15	C12
IO L2N T0 AD0N..15	F15
IO L3P T0 DQ0..AD1P..15	F16
IO L3N T0 DQ0..AD1N..15	F15
IO L4P T0 AD0P..15	A13
IO L4N T0 AD0N..15	A14
IO L5P T0 AD0P..15	C13
IO L5N T0 AD0N..15	B13
IO L6P T0 VREF..15	F15
IO L7P T1 AD10P..15	C14
IO L7N T1 AD10N..15	C14
IO L8P T1 AD0P..15	B16
IO L8N T1 AD0N..15	A16
IO L9P T1 DQ0..AD11P..15	B15
IO L9N T1 DQ0..AD11N..15	A15
IO L10P T1 AD0P..15	B17
IO L10N T1 AD0N..15	A17
IO L11P T1 SRCC..AD12P..15	D15
IO L11N T1 SRCC..AD12N..15	D16
IO L12P T1 MRCC..AD5P..15	C17
IO L12N T1 MRCC..AD5N..15	C17
IO L13P T2 MRCC..15	E18
IO L13N T2 MRCC..15	E16
IO L14P T2 SRCC..15	D17
IO L14N T2 SRCC..15	D17
IO L15P T2 DQ0..15	G17
IO L15N T2 DQ0..15	G17
IO L16P T2 A28..15	J16
IO L16N T2 A27..15	J17
IO L17P T2 A26..15	F18
IO L17N T2 A25..15	E19
IO L18P T2 A24..15	D19
IO L18N T2 A23..15	D20
IO L19P T3 A22..15	C19
IO L19N T3 A21..VREF..15	C20
IO L20P T3 A20..15	B18
IO L20N T3 A19..15	A19
IO L21P T3 DQ0..15	C22
IO L21N T3 DQ0..A18..15	B22
IO L22P T3 A17..15	A20
IO L22N T3 A16..15	A21
IO L23P T3 FOE..B..15	D21
IO L23N T3 FWE..B..15	D22
IO L24P T3 RS1..15	B20
IO L24N T3 RS0..15	B21
IO..25..15	H15



FPGA	
IO 0..14	K16
IO L1P T0 D00..MOSI..14	H18
IO L1N T0 D01..DIN..14	H19
IO L2P T0 D02..14	G19
IO L2N T0 D03..14	F19
IO L3P T0 DQ0..PUDC..B..14	K18
IO L3N T0 DQ0..EMCCLK..14	K18
IO L4N T0 D05..14	L18
IO L4P T0 D04..14	G20
IO L5N T0 D06..14	F20
IO L5P T0 D07..14	K19
IO L6P T0 FCS..B..14	L16
IO L6N T0 D08..VREF..14	K17
IO L7P T1 D09..14	E21
IO L7N T1 D10..14	F21
IO L8P T1 D11..14	H22
IO L8N T1 D12..14	G22
IO L9P T1 DQ0..14	G21
IO L9N T1 DQ0..D13..14	F21
IO L10P T1 D14..14	J22
IO L10N T1 D15..14	J21
IO L11P T1 SRCC..14	J20
IO L11N T1 SRCC..14	H20
IO L12P T1 MRCC..14	L20
IO L12N T1 MRCC..14	N19
IO L13P T2 MRCC..14	N18
IO L13N T2 MRCC..14	M17
IO L14P T2 SRCC..14	M18
IO L14N T2 SRCC..14	N22
IO L15P T2 DQ0..RDRW..B..14	M22
IO L15N T2 DQ0..DOU1..CS0..B..14	K21
IO L16P T2 CSI..B..14	K21
IO L16N T2 A15..D31..14	K22
IO L17P T2 A14..D30..14	N20
IO L17N T2 A13..D29..14	M21
IO L18P T2 A12..D28..14	M20
IO L18N T2 A11..D27..14	L21
IO L19P T3 A10..D26..14	R18
IO L19N T3 A09..D25..VREF..14	R19
IO L20P T3 A08..D24..14	P19
IO L20N T3 A07..D23..14	P20
IO L21P T3 DQ0..14	R17
IO L21N T3 DQ0..A06..D22..14	P17
IO L22P T3 A05..D21..14	P22
IO L22N T3 A04..D20..14	P22
IO L23P T3 A03..D19..14	N16
IO L23N T3 A02..D18..14	P17
IO L24P T3 A01..D17..14	R22
IO L24N T3 A00..D16..14	R22
IO..25..14	F18



HUMAN DATA LTD.
www.hdl.co.jp/ (Japan)
www2.hdl.co.jp/en/ (Global)

DSN:	TITLE: KINTEX-7 + FT600 FBG484 USB-FPGA board
DOC. No:	EDX-009
FILE: IOA_CONFIG.sch	DATE: 2024/02/20 11:17:35
Sheet	6 / 6

E