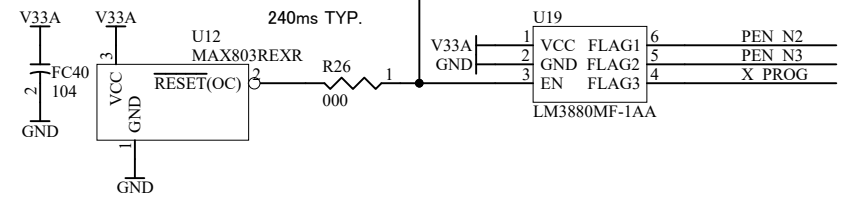
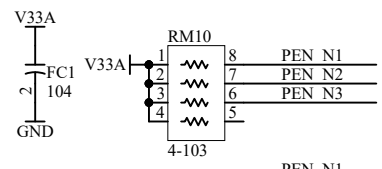
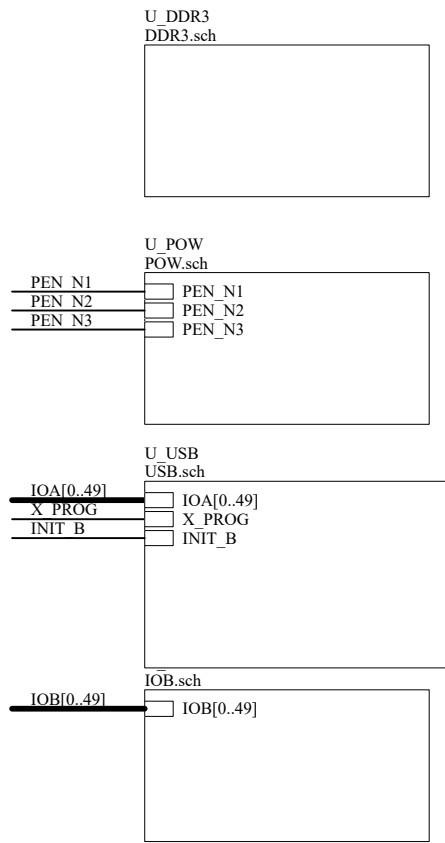
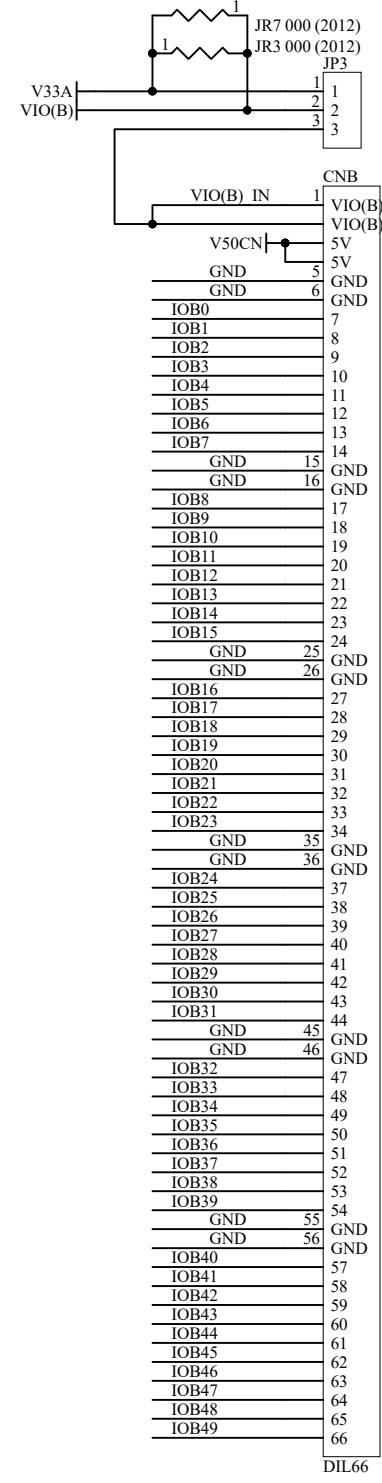
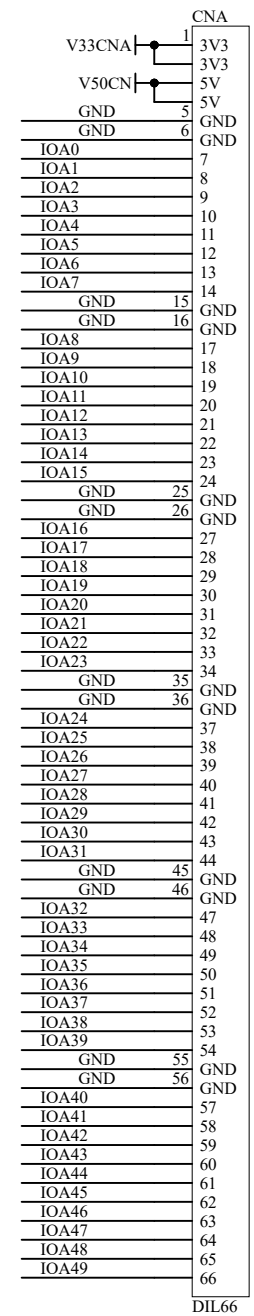
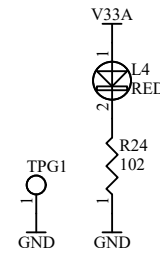


A

A

[POWER]



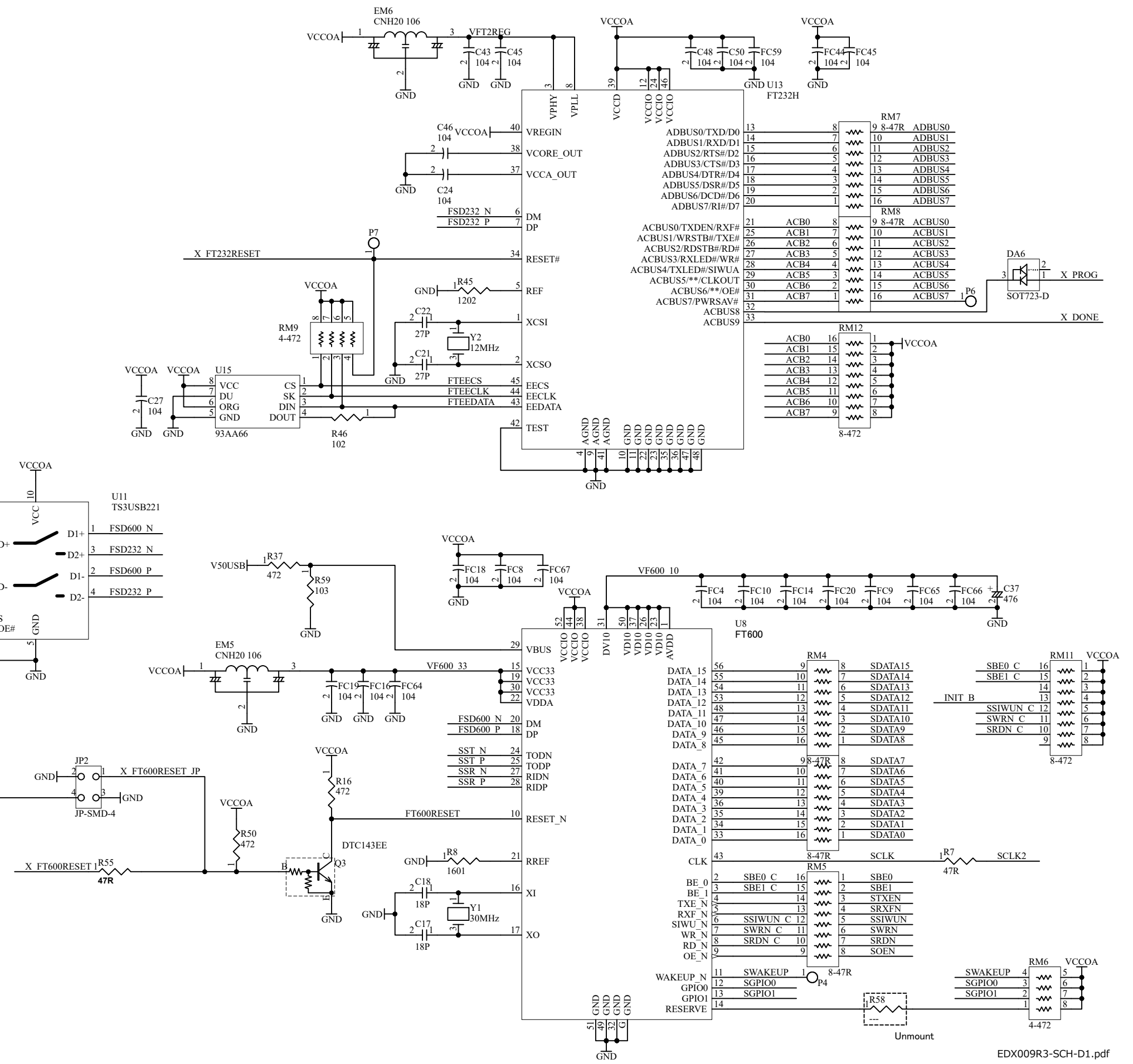
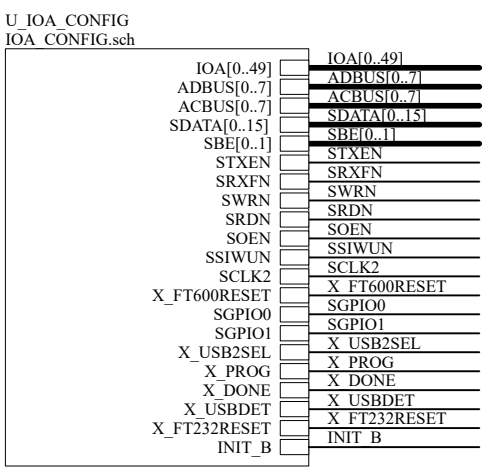
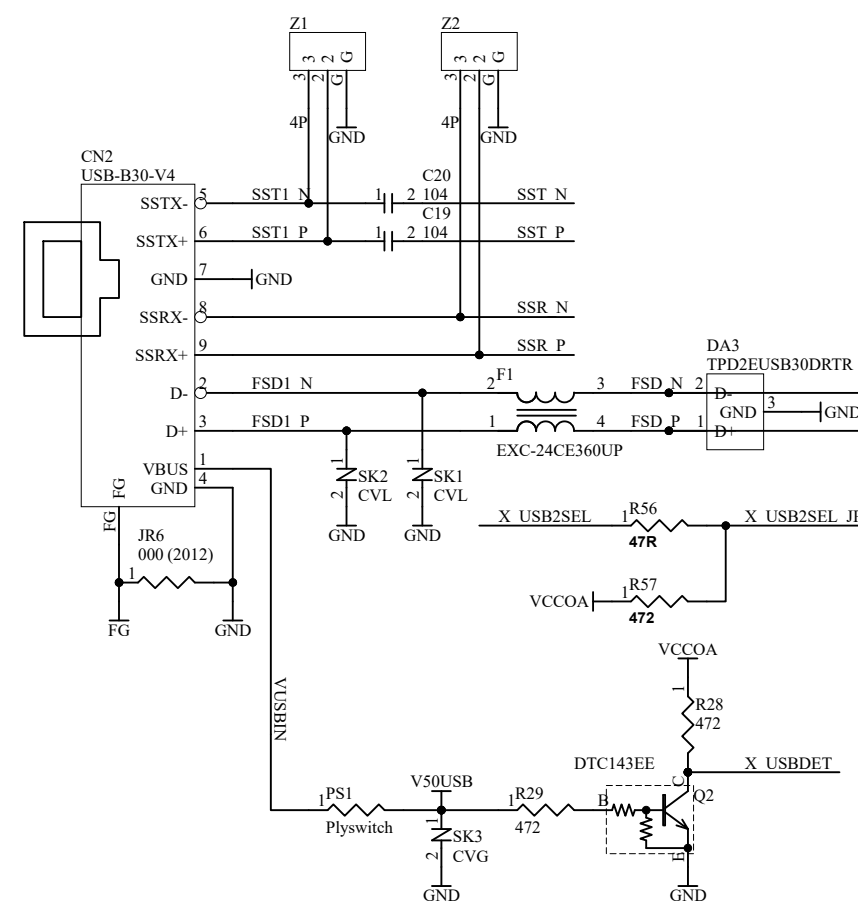
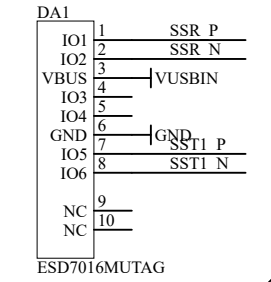
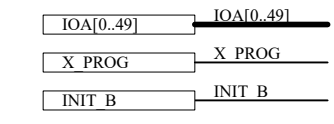
EDX009R3-SCH-D1.pdf

HUMANDATA
 HuMANDATA LTD.
www.hdl.co.jp/ (Japan)
www2.hdl.co.jp/en/ (Global)

DSN:	TITLE: KINTEX-7 + FT600 FBG484 USB-FPGA board
DOC. No: EDX-009	D1
FILE: EDX009D.sch	DATE: 2021/09/08 13:19:26
Sheet: 1 / 6	V7_20200731

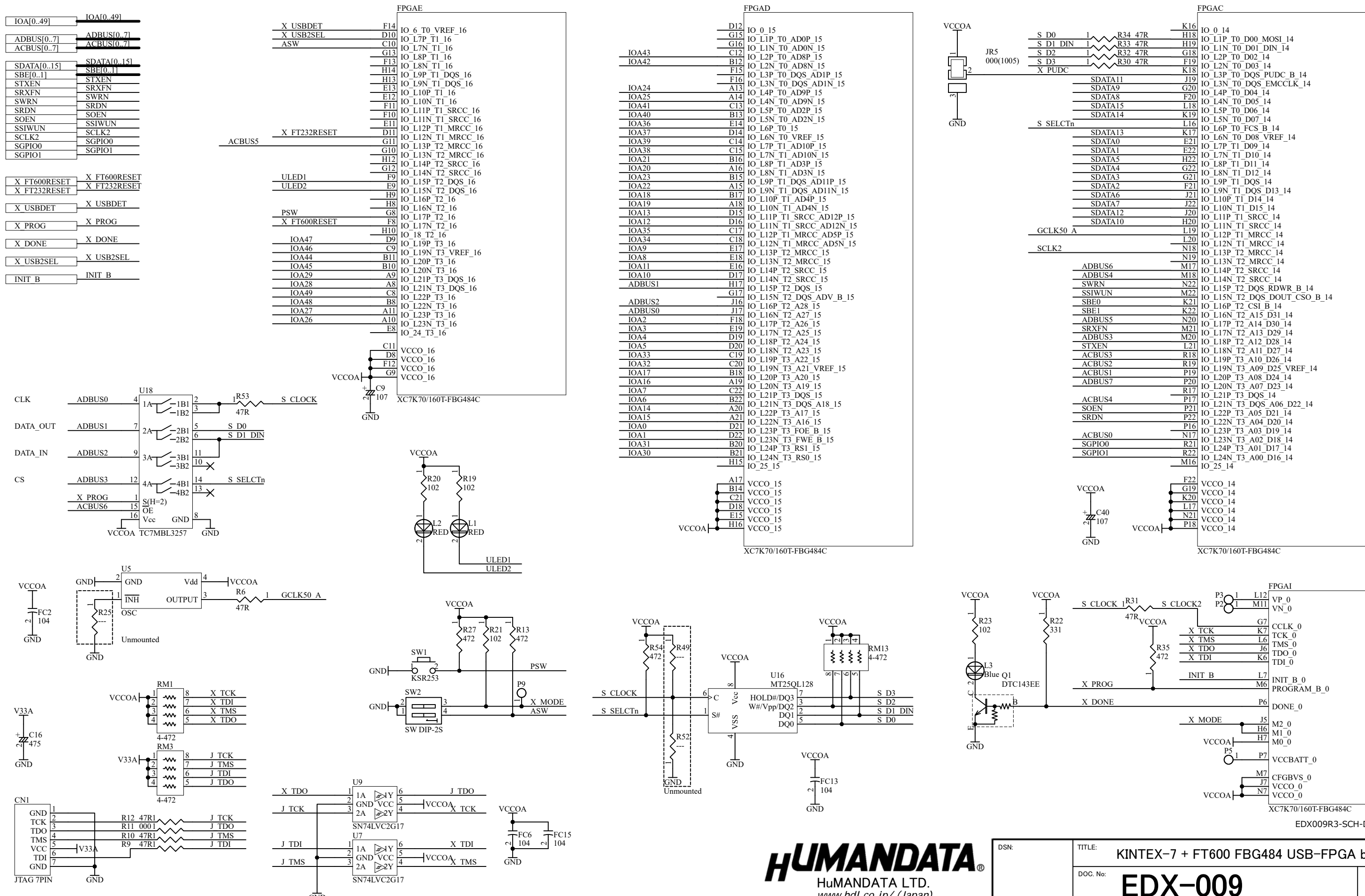
D

D



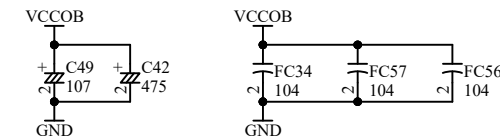
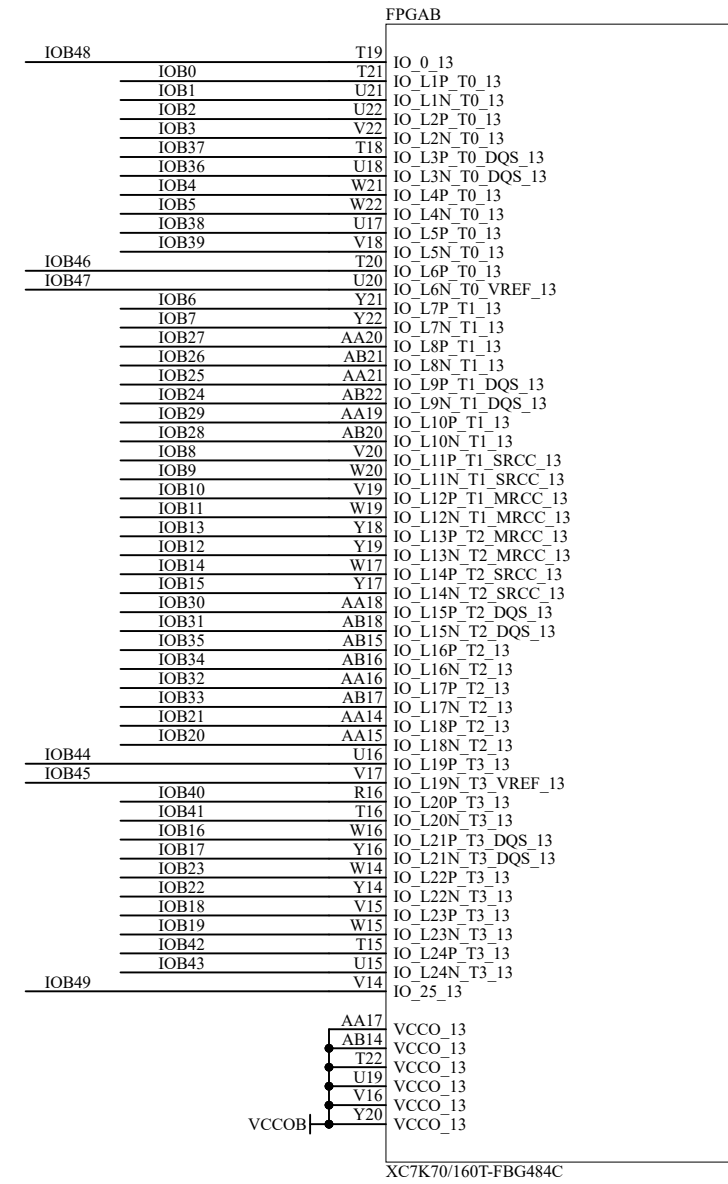
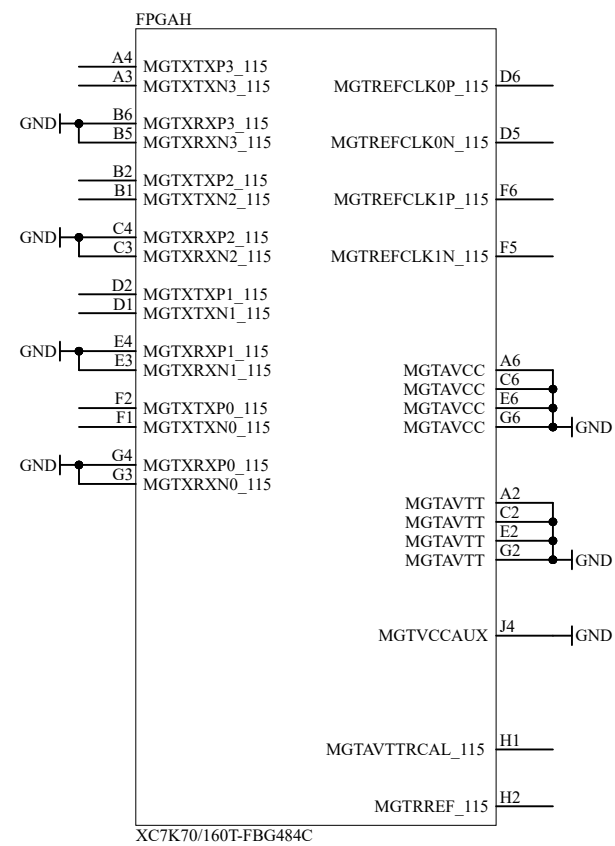
DSN:	TITLE: KINTEX-7 + FT600 FBG484 USB-FPGA board
DOC. No: EDX-009	D1
FILE: USB.sch	DATE: 2021/09/08 13:19:26
Sheet: 2 / 6	V7.20200731

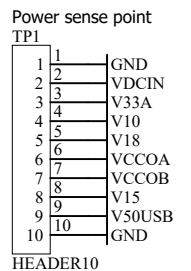
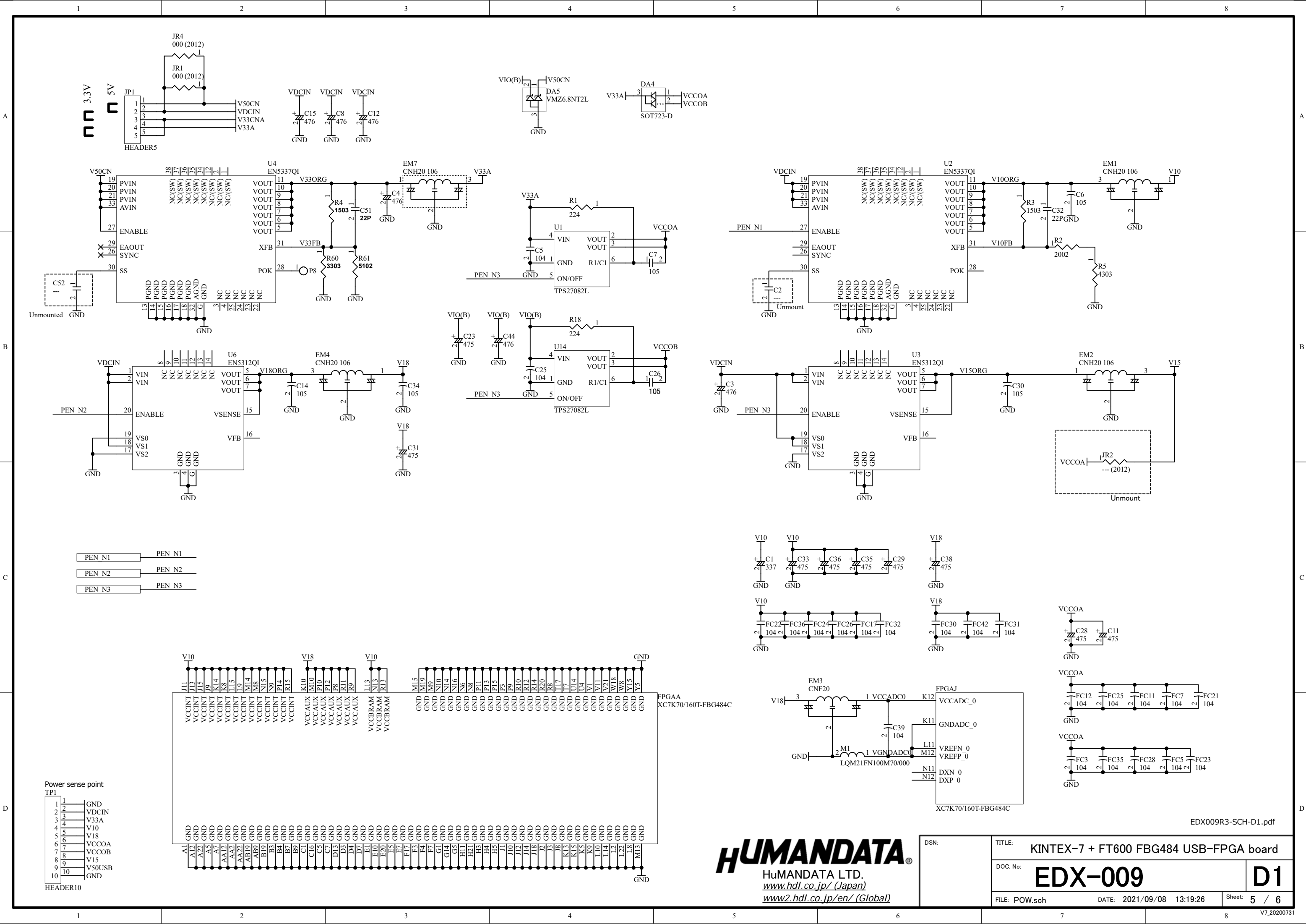
BANK Group A



DSN:	TITLE:	KINTEX-7 + FT600 FBG484 USB-FPGA board
	DOC. No.:	EDX-009
	FILE:	IOA_CONFIG.sch
	DATE:	2021/09/08 13:19:26
	Sheet:	3 / 6

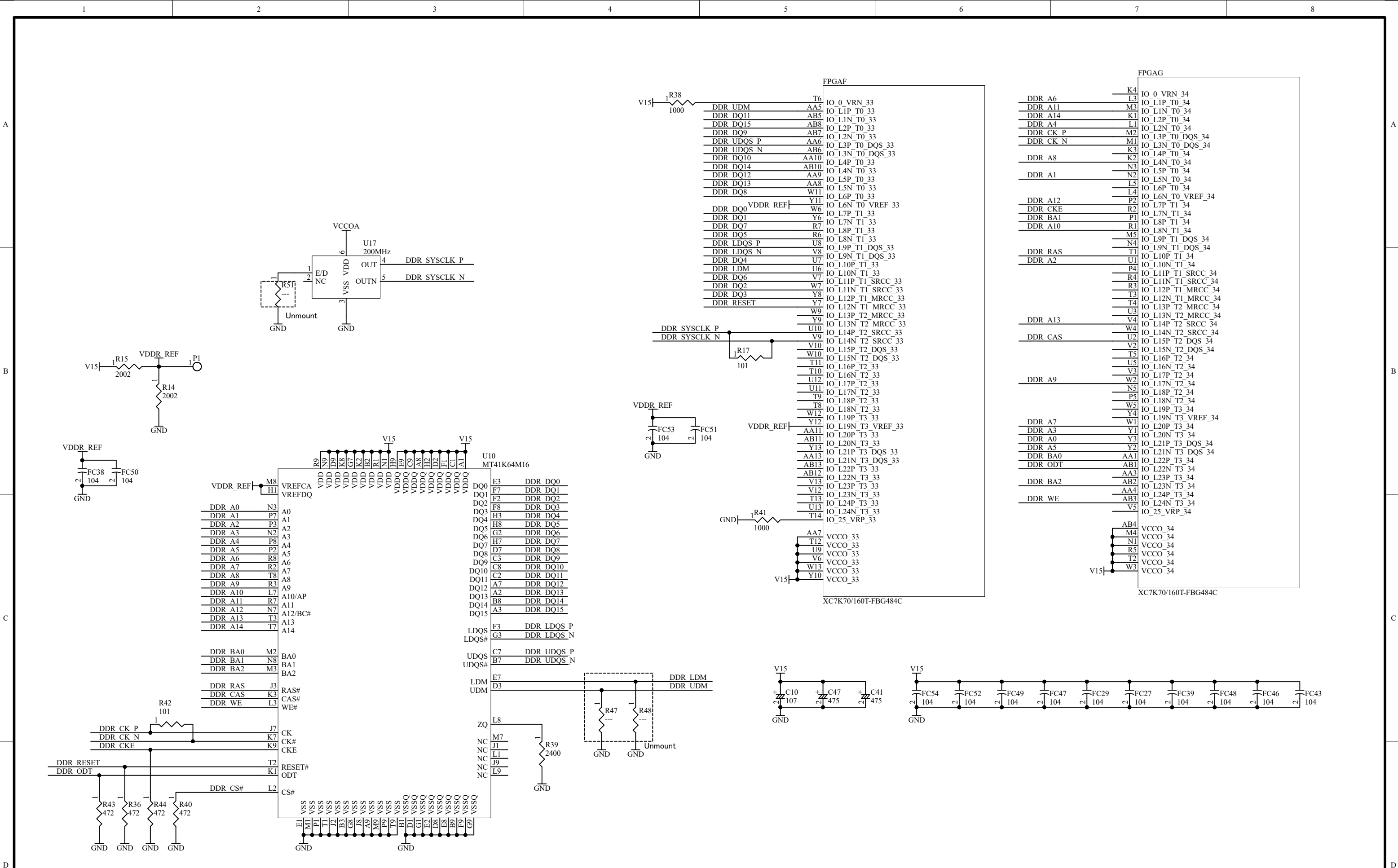
IOB[0..49] IOB[0..49]





DSN:	TITLE: KINTEX-7 + FT600 FBG484 USB-FPGA board
DOC. No:	EDX-009
FILE: POW.sch	DATE: 2021/09/08 13:19:26
Sheet: 5 / 6	D1

EDX009R3-SCH-D1.pdf



EDX009R3-SCH-D1.pdf



DSN:	TITLE: KINTEX-7 + FT600 FBG484 USB-FPGA board	D1
	DOC. No: EDX-009	
FILE: DDR3.sch	DATE: 2021/09/08 13:19:26	Sheet: 6 / 6