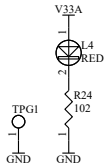
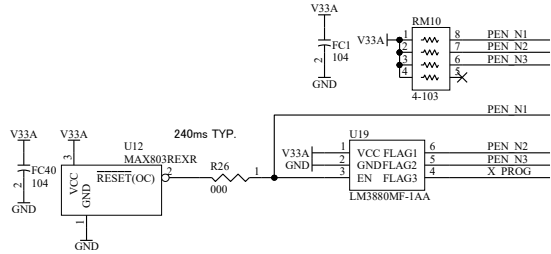
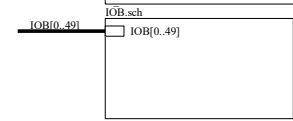
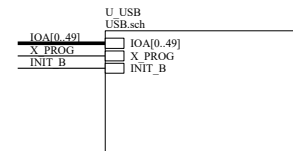
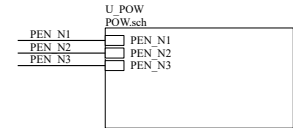
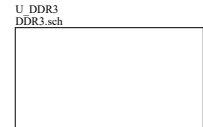
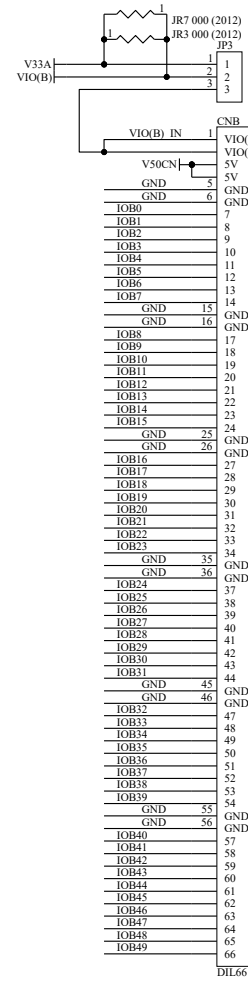


[POWER]



CNA	
V33CNA	3V3
V50CN	5V
GND	5V
GND	5
GND	6
IOA0	7
IOA1	8
IOA2	9
IOA3	10
IOA4	11
IOA5	12
IOA6	13
IOA7	14
GND	15
GND	16
IOA8	17
IOA9	18
IOA10	19
IOA11	20
IOA12	21
IOA13	22
IOA14	23
IOA15	24
GND	25
GND	26
IOA16	27
IOA17	28
IOA18	29
IOA19	30
IOA20	31
IOA21	32
IOA22	33
IOA23	34
GND	35
GND	36
IOA24	37
IOA25	38
IOA26	39
IOA27	40
IOA28	41
IOA29	42
IOA30	43
IOA31	44
GND	45
GND	46
IOA32	47
IOA33	48
IOA34	49
IOA35	50
IOA36	51
IOA37	52
IOA38	53
IOA39	54
GND	55
GND	56
IOA40	57
IOA41	58
IOA42	59
IOA43	60
IOA44	61
IOA45	62
IOA46	63
IOA47	64
IOA48	65
IOA49	66

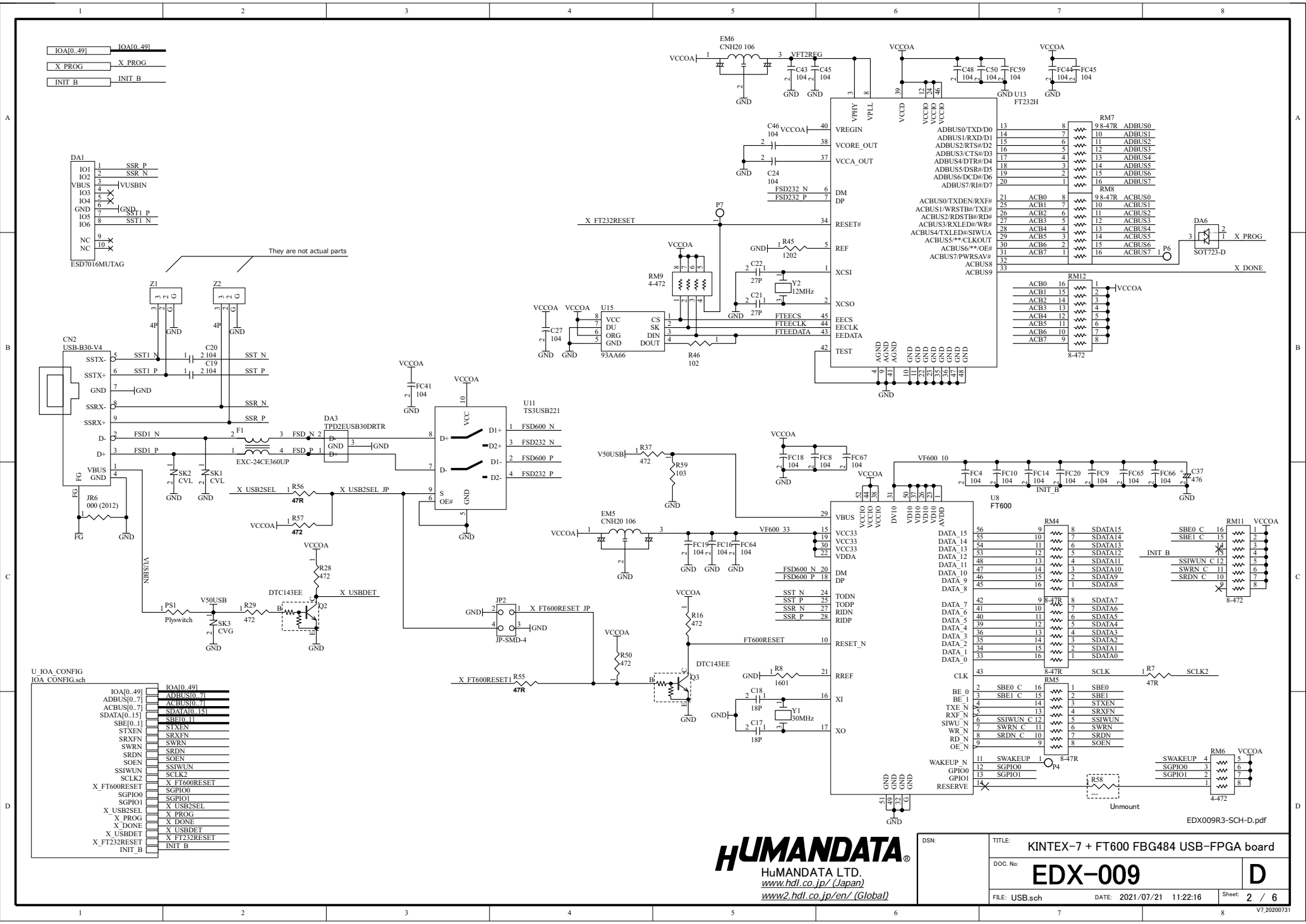
DIL66



EDX009R3-SCH-D.pdf

HUMAN DATA
 HUMAN DATA LTD.
 www.hdl.co.jp/ (Japan)
 www2.hdl.co.jp/en/ (Global)

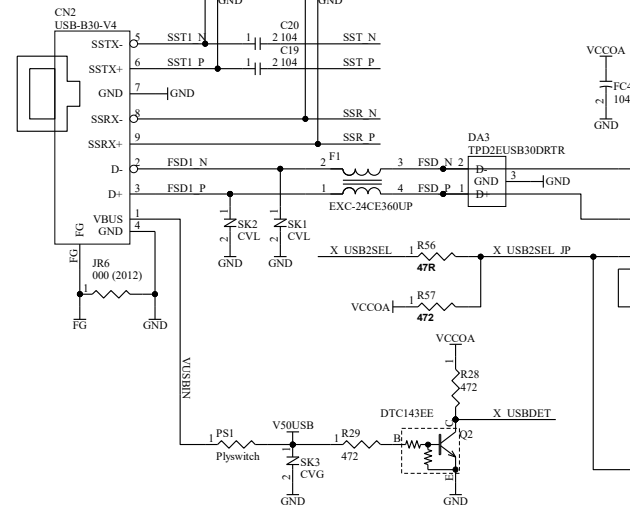
DSN:	TITLE: KINTEX-7 + FT600 FBG484 USB-FPGA board	D
DOC. No:	EDX-009	
FILE: EDX009D.sch	DATE: 2021/07/21 11:22:16	Sheet: 1 / 6



IOA[0..49] → IOA[0..49]
 X PROG → X PROG
 INIT B → INIT B

DA1
 IO1 1 SSR P
 IO2 2 SSR N
 IO3 3 VUSBIN
 IO4 4 X
 IO5 5 X
 IO6 6 X
 IO7 7 GND_P
 IO8 8 SST1 N
 IO9 9 X
 IO10 10 X
 NC

They are not actual parts



U_IOA CONFIG
 IOA CONFIG.sch

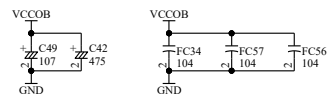
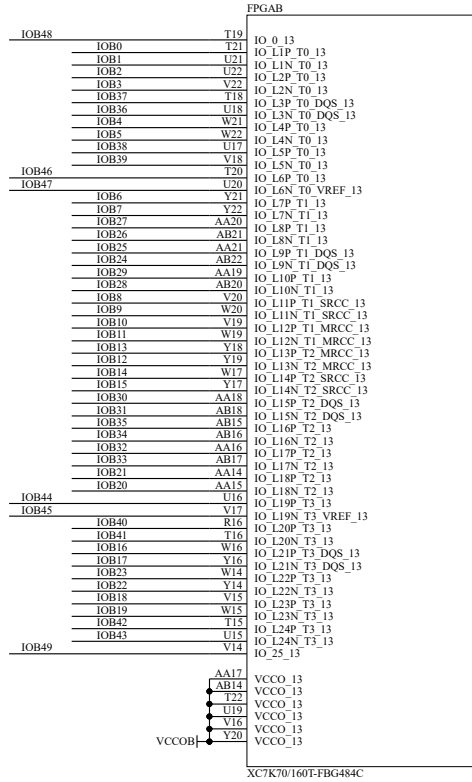
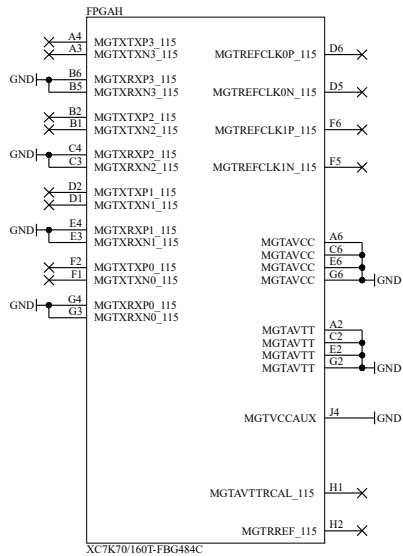
IOA[0..49]	IOA[0..49]
ADBUS[0..7]	ADBUS[0..7]
ACBUS[0..7]	ACBUS[0..7]
SDATA[0..15]	SDATA[0..15]
SBE[0..11]	SBE[0..11]
STXEN	STXEN
SRXFN	SRXFN
SWRN	SWRN
SRDN	SRDN
SOEN	SOEN
SSIWUN	SSIWUN
SCLK2	SCLK2
X_FT600RESET	X_FT600RESET
SGPIO0	SGPIO0
SGPIO1	SGPIO1
X_USB2SEL	X_USB2SEL
X_PROG	X_PROG
X_DONE	X_DONE
X_USBDDET	X_USBDDET
X_FT232RESET	X_FT232RESET
INIT_B	INIT_B

HUMAN DATA
 HUMAN DATA LTD.
[www.hdl.co.jp/ \(Japan\)](http://www.hdl.co.jp/)
[www2.hdl.co.jp/en/ \(Global\)](http://www2.hdl.co.jp/en/ (Global))

DSN:	TITLE: KINTEX-7 + FT600 FPG484 USB-FPGA board
DOC. No:	EDX-009
FILE: USB.sch	DATE: 2021/07/21 11:22:16
Sheet: 2 / 6	

D

IOB[0..49]

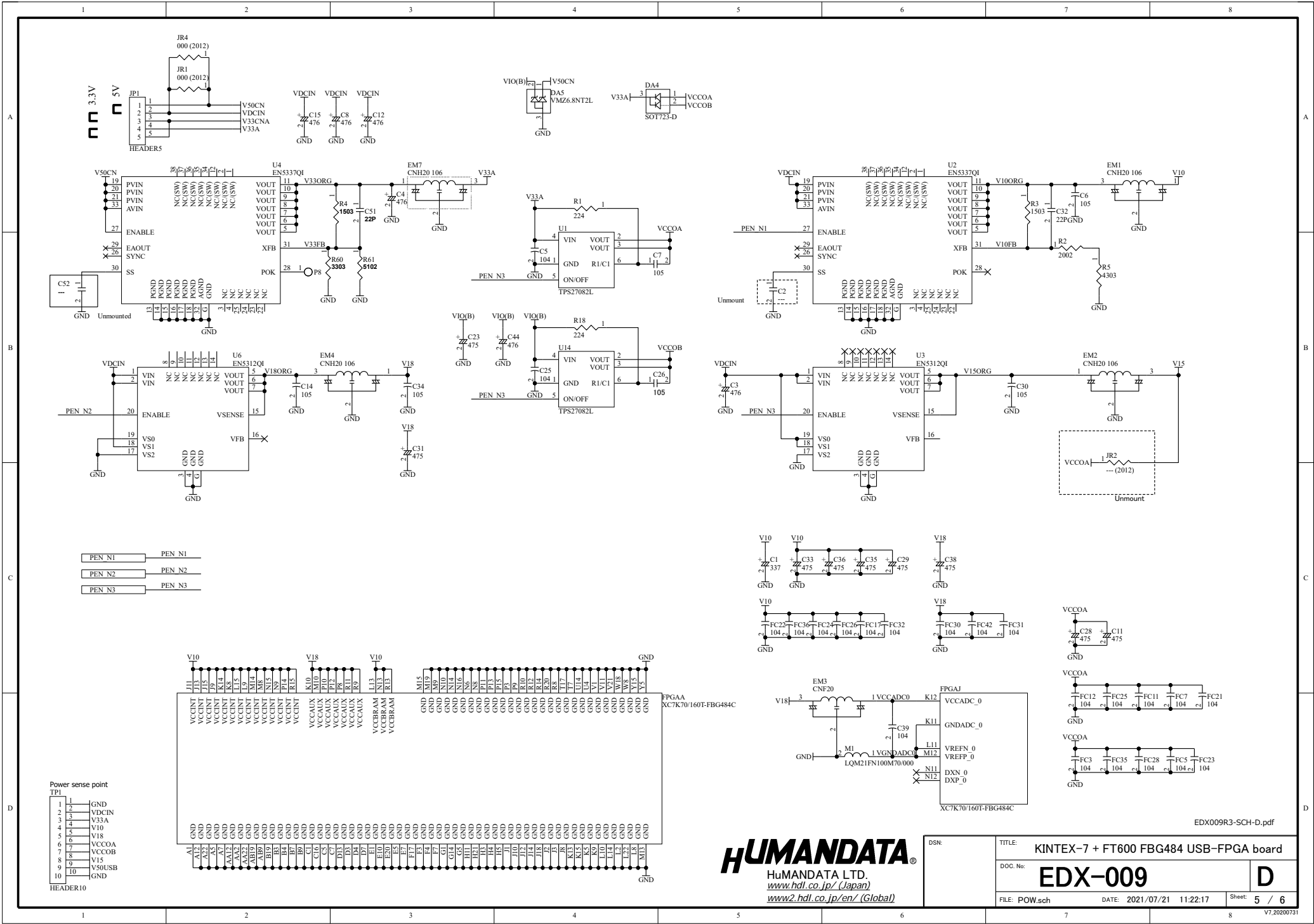


BANK Group B

HUMANDATA
 HuMANDATA LTD.
[www.hdl.co.jp/ \(Japan\)](http://www.hdl.co.jp/)
[www2.hdl.co.jp/en/ \(Global\)](http://www2.hdl.co.jp/en/)

DSN:	TITLE: KINTEX-7 + FT600 FBG484 USB-FPGA board
DOC. No: EDX-009	D
FILE: IOB.sch	DATE: 2021/07/21 11:22:17
Sheet: 4 / 6	

EDX009R3-SCH-D.pdf



HUMAN DATA
 HUMAN DATA LTD.
[www.hdl.co.jp/ \(Japan\)](http://www.hdl.co.jp/)
[www2.hdl.co.jp/en/ \(Global\)](http://www2.hdl.co.jp/en/)

DSN:	TITLE: KINTEX-7 + FT600 FBG484 USB-FPGA board
DOC. No:	EDX-009
FILE: POW.sch	DATE: 2021/07/21 11:22:17
Sheet: 5 / 6	D

