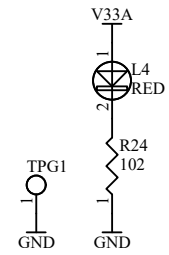


A

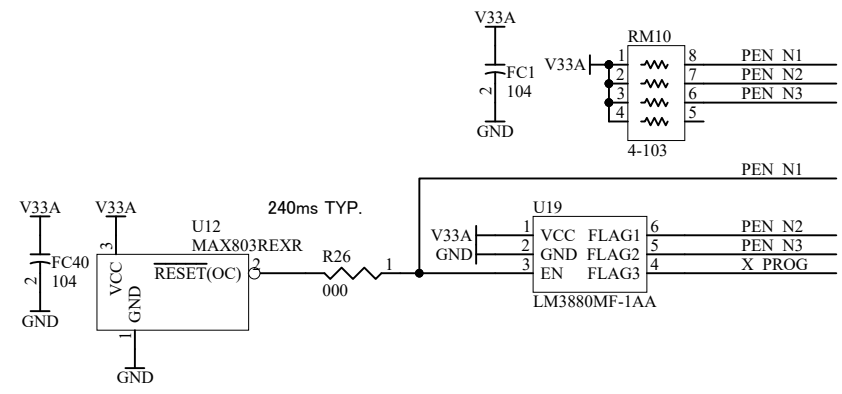
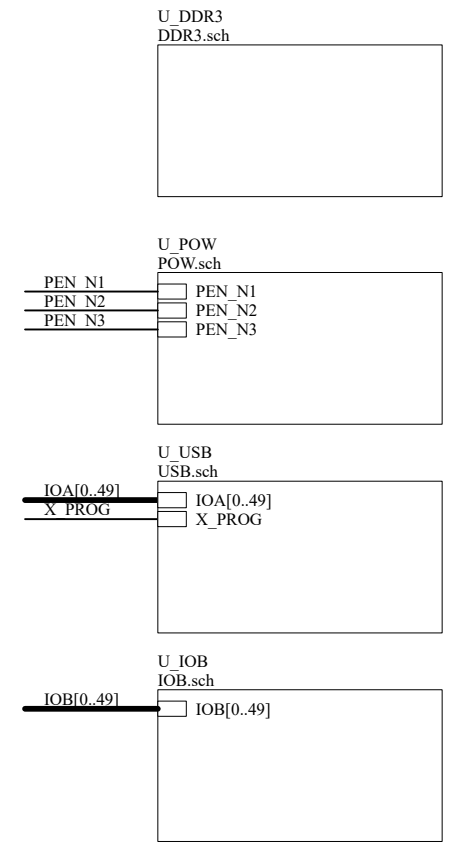
A

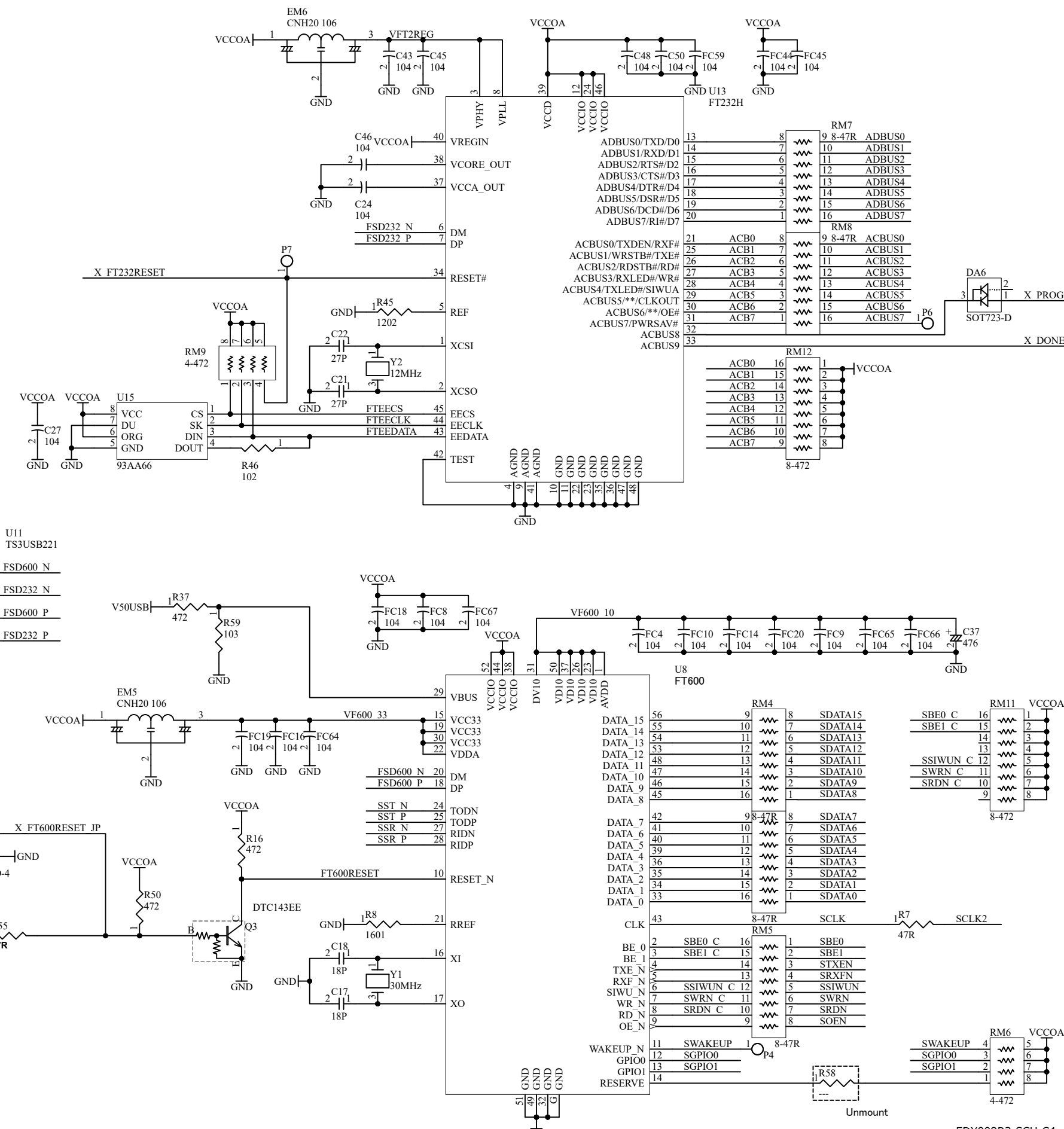
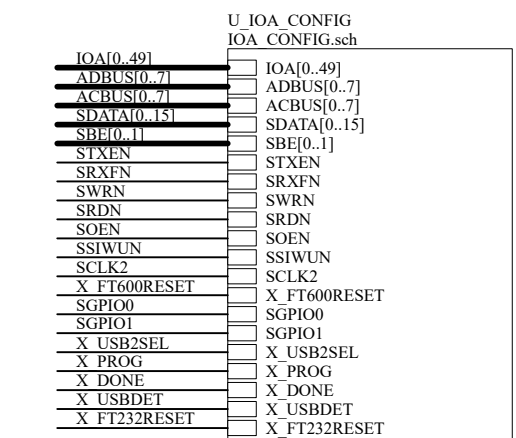
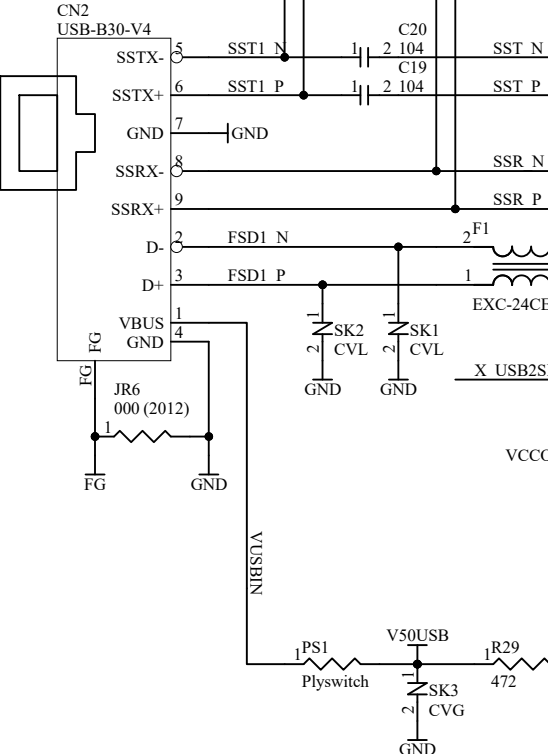
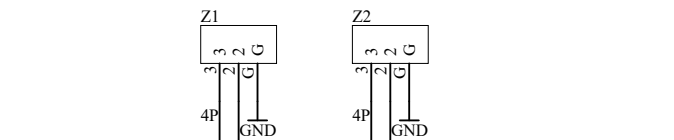
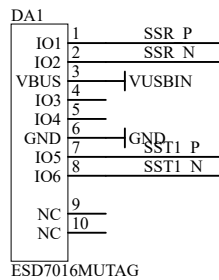
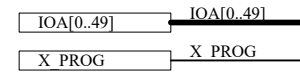
[POWER]



| | | |
|--------|----|-----|
| V33CNA | 1 | 3V3 |
| V50CN | 2 | 3V3 |
| GND | 3 | 5V |
| GND | 4 | 5V |
| GND | 5 | 5V |
| GND | 6 | GND |
| IOA0 | 7 | GND |
| IOA1 | 8 | GND |
| IOA2 | 9 | GND |
| IOA3 | 10 | GND |
| IOA4 | 11 | GND |
| IOA5 | 12 | GND |
| IOA6 | 13 | GND |
| IOA7 | 14 | GND |
| GND | 15 | GND |
| GND | 16 | GND |
| IOA8 | 17 | GND |
| IOA9 | 18 | GND |
| IOA10 | 19 | GND |
| IOA11 | 20 | GND |
| IOA12 | 21 | GND |
| IOA13 | 22 | GND |
| IOA14 | 23 | GND |
| IOA15 | 24 | GND |
| GND | 25 | GND |
| GND | 26 | GND |
| IOA16 | 27 | GND |
| IOA17 | 28 | GND |
| IOA18 | 29 | GND |
| IOA19 | 30 | GND |
| IOA20 | 31 | GND |
| IOA21 | 32 | GND |
| IOA22 | 33 | GND |
| IOA23 | 34 | GND |
| GND | 35 | GND |
| GND | 36 | GND |
| IOA24 | 37 | GND |
| IOA25 | 38 | GND |
| IOA26 | 39 | GND |
| IOA27 | 40 | GND |
| IOA28 | 41 | GND |
| IOA29 | 42 | GND |
| IOA30 | 43 | GND |
| IOA31 | 44 | GND |
| GND | 45 | GND |
| GND | 46 | GND |
| IOA32 | 47 | GND |
| IOA33 | 48 | GND |
| IOA34 | 49 | GND |
| IOA35 | 50 | GND |
| IOA36 | 51 | GND |
| IOA37 | 52 | GND |
| IOA38 | 53 | GND |
| IOA39 | 54 | GND |
| GND | 55 | GND |
| GND | 56 | GND |
| IOA40 | 57 | GND |
| IOA41 | 58 | GND |
| IOA42 | 59 | GND |
| IOA43 | 60 | GND |
| IOA44 | 61 | GND |
| IOA45 | 62 | GND |
| IOA46 | 63 | GND |
| IOA47 | 64 | GND |
| IOA48 | 65 | GND |
| IOA49 | 66 | GND |

| | | |
|-----------|----|----------------|
| V33A | 1 | JR7 000 (2012) |
| VIO(B) | 2 | JR3 000 (2012) |
| | 3 | JP3 |
| VIO(B) IN | 1 | VIO(B) |
| V50CN | 5 | VIO(B) |
| GND | 6 | VIO(B) |
| GND | 7 | VIO(B) |
| GND | 8 | VIO(B) |
| GND | 9 | VIO(B) |
| GND | 10 | VIO(B) |
| GND | 11 | VIO(B) |
| GND | 12 | VIO(B) |
| GND | 13 | VIO(B) |
| GND | 14 | VIO(B) |
| GND | 15 | VIO(B) |
| GND | 16 | VIO(B) |
| GND | 17 | VIO(B) |
| GND | 18 | VIO(B) |
| GND | 19 | VIO(B) |
| GND | 20 | VIO(B) |
| GND | 21 | VIO(B) |
| GND | 22 | VIO(B) |
| GND | 23 | VIO(B) |
| GND | 24 | VIO(B) |
| GND | 25 | VIO(B) |
| GND | 26 | VIO(B) |
| GND | 27 | VIO(B) |
| GND | 28 | VIO(B) |
| GND | 29 | VIO(B) |
| GND | 30 | VIO(B) |
| GND | 31 | VIO(B) |
| GND | 32 | VIO(B) |
| GND | 33 | VIO(B) |
| GND | 34 | VIO(B) |
| GND | 35 | VIO(B) |
| GND | 36 | VIO(B) |
| GND | 37 | VIO(B) |
| GND | 38 | VIO(B) |
| GND | 39 | VIO(B) |
| GND | 40 | VIO(B) |
| GND | 41 | VIO(B) |
| GND | 42 | VIO(B) |
| GND | 43 | VIO(B) |
| GND | 44 | VIO(B) |
| GND | 45 | VIO(B) |
| GND | 46 | VIO(B) |
| GND | 47 | VIO(B) |
| GND | 48 | VIO(B) |
| GND | 49 | VIO(B) |
| GND | 50 | VIO(B) |
| GND | 51 | VIO(B) |
| GND | 52 | VIO(B) |
| GND | 53 | VIO(B) |
| GND | 54 | VIO(B) |
| GND | 55 | VIO(B) |
| GND | 56 | VIO(B) |
| GND | 57 | VIO(B) |
| GND | 58 | VIO(B) |
| GND | 59 | VIO(B) |
| GND | 60 | VIO(B) |
| GND | 61 | VIO(B) |
| GND | 62 | VIO(B) |
| GND | 63 | VIO(B) |
| GND | 64 | VIO(B) |
| GND | 65 | VIO(B) |
| GND | 66 | VIO(B) |

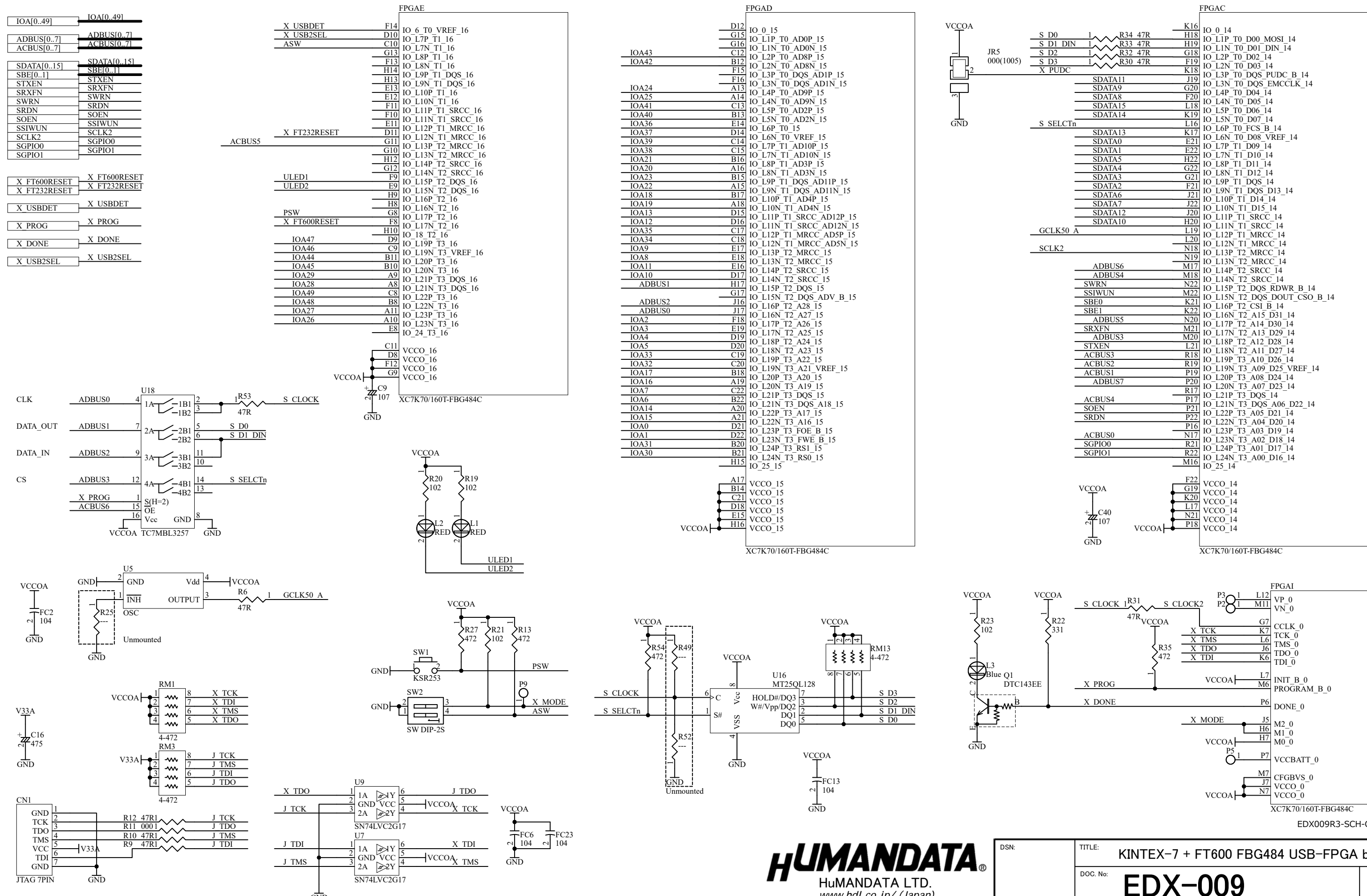




| | |
|---------------|---|
| DSN: | TITLE: KINTEX-7 + FT600 FBG484 USB-FPGA board |
| DOC. No: | EDX-009 |
| FILE: USB.sch | DATE: 2021/09/08 13:22:31 |
| Sheet: 3 / 6 | C4 |

EDX009R3-SCH-C4.pdf

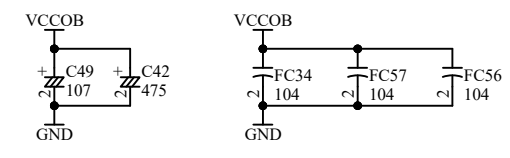
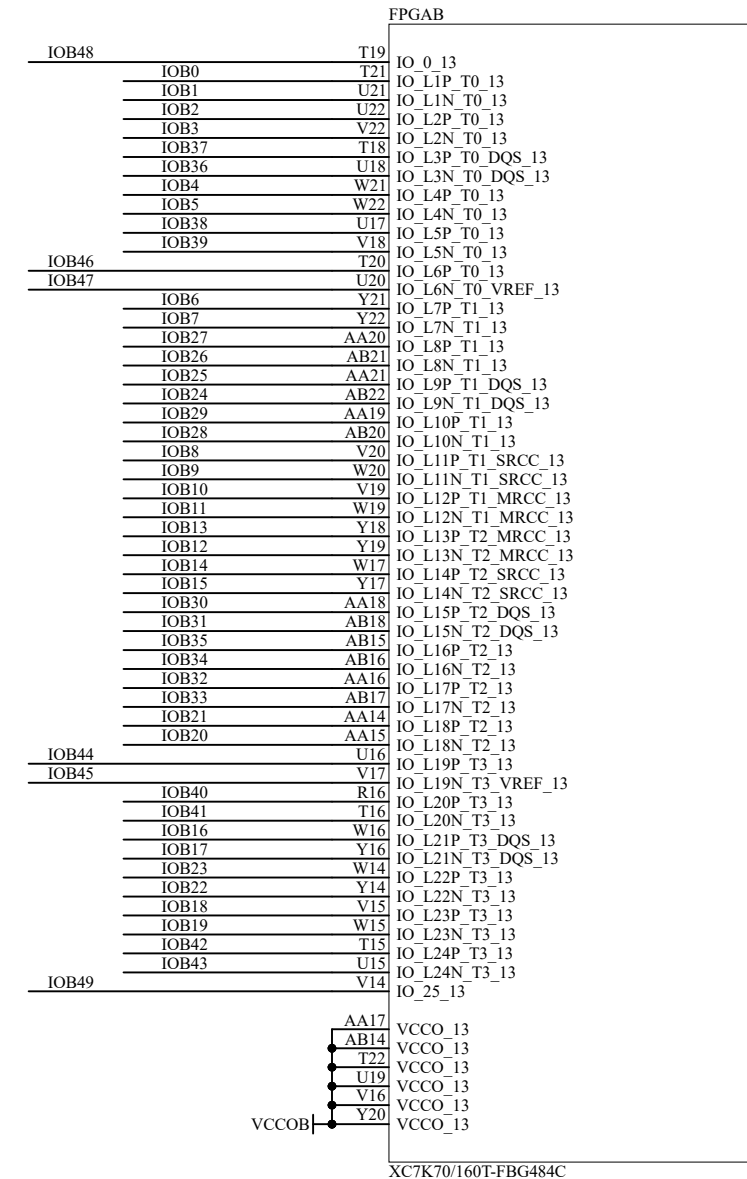
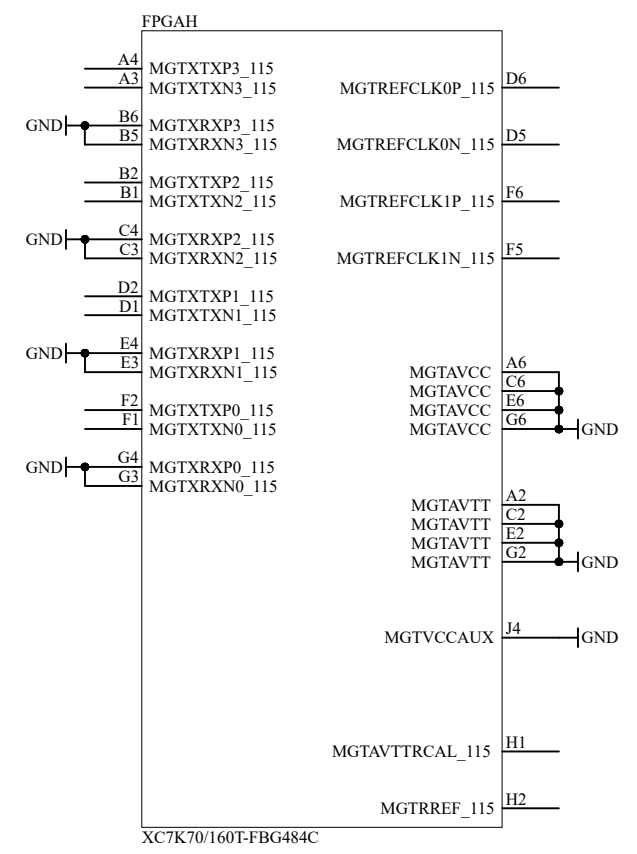
BANK Group A



| | |
|----------------------|---|
| DSN: | TITLE: KINTEX-7 + FT600 FBG484 USB-FPGA board |
| DOC. No: | EDX-009 |
| FILE: IOA_CONFIG.sch | DATE: 2021/09/08 13:22:31 |
| Sheet: 4 / 6 | C4 |

EDX009R3-SCH-C4.pdf

IOB[0..49] IOB[0..49]



BANK Group B

HUMANDATA
 HuMANDATA LTD.
www.hdl.co.jp/ (Japan)
www2.hdl.co.jp/en/ (Global)

| | |
|---------------|---|
| DSN: | TITLE: KINTEX-7 + FT600 FBG484 USB-FPGA board |
| DOC. No: | EDX-009 |
| FILE: IOB.sch | DATE: 2021/09/08 13:22:31 |
| Sheet: 5 / 6 | C4 |

EDX009R3-SCH-C4.pdf

A

B

C

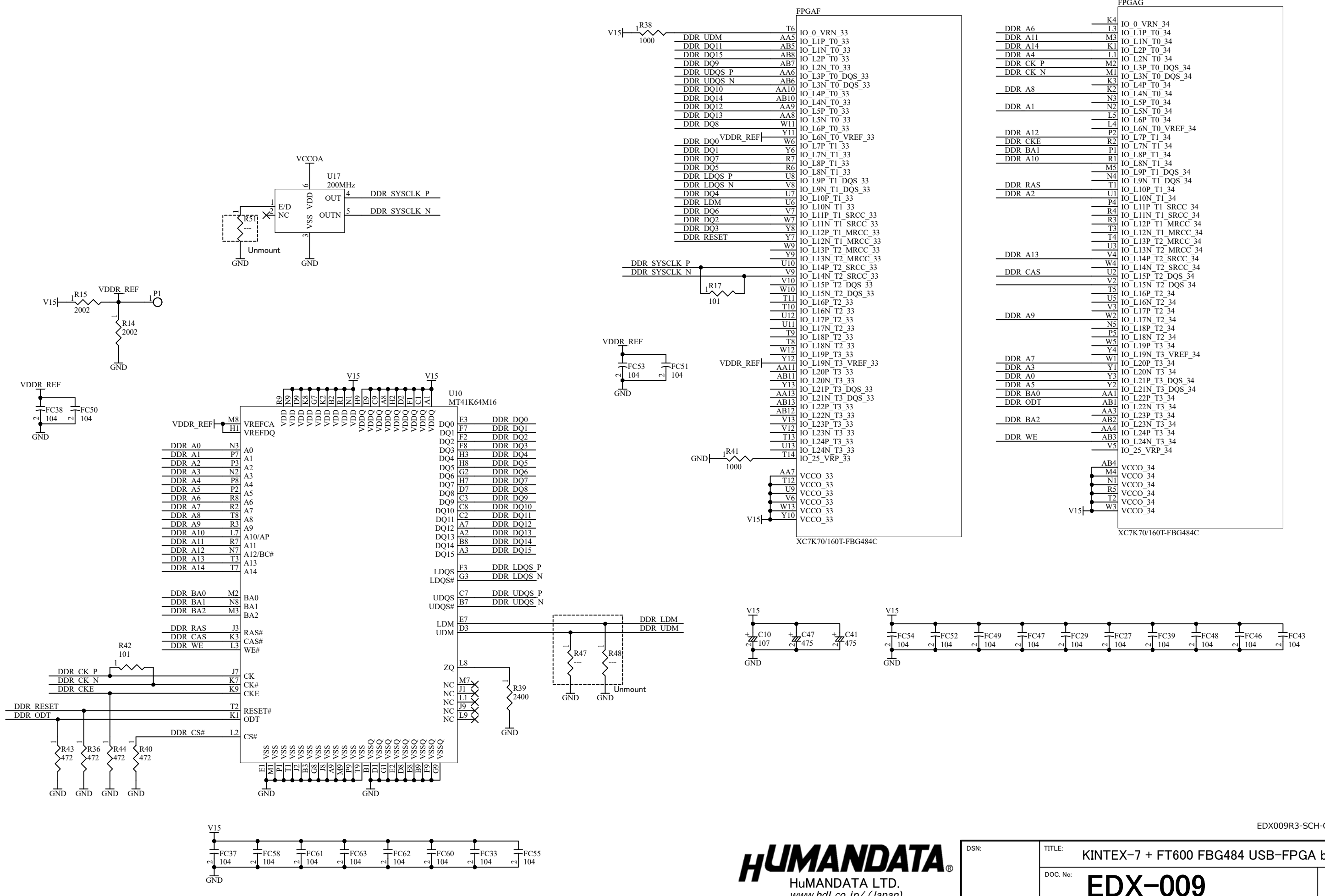
D

A

B

C

D



| | | |
|----------------|---|--------------|
| DSN: | TITLE: KINTEX-7 + FT600 FBG484 USB-FPGA board | C4 |
| | DOC. No: EDX-009 | |
| FILE: DDR3.sch | DATE: 2021/09/08 13:22:31 | Sheet: 6 / 6 |



EDX009R3-SCH-C4.pdf