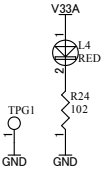
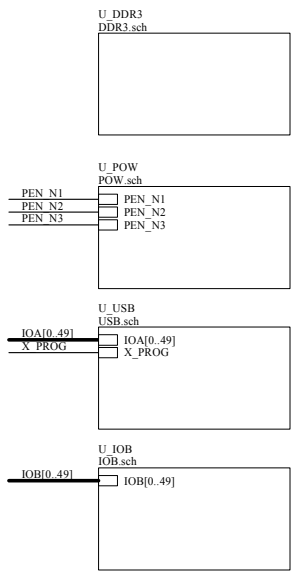


[POWER]



Pin	Signal
1	3V3
2	3V3
3	5V
4	5V
5	GND
6	GND
7	IOA0
8	IOA1
9	IOA2
10	IOA3
11	IOA4
12	IOA5
13	IOA6
14	IOA7
15	GND
16	GND
17	IOA8
18	IOA9
19	IOA10
20	IOA11
21	IOA12
22	IOA13
23	IOA14
24	IOA15
25	GND
26	GND
27	IOA16
28	IOA17
29	IOA18
30	IOA19
31	IOA20
32	IOA21
33	IOA22
34	IOA23
35	GND
36	GND
37	IOA24
38	IOA25
39	IOA26
40	IOA27
41	IOA28
42	IOA29
43	IOA30
44	IOA31
45	GND
46	GND
47	IOA32
48	IOA33
49	IOA34
50	IOA35
51	IOA36
52	IOA37
53	IOA38
54	IOA39
55	GND
56	GND
57	IOA40
58	IOA41
59	IOA42
60	IOA43
61	IOA44
62	IOA45
63	IOA46
64	IOA47
65	IOA48
66	IOA49

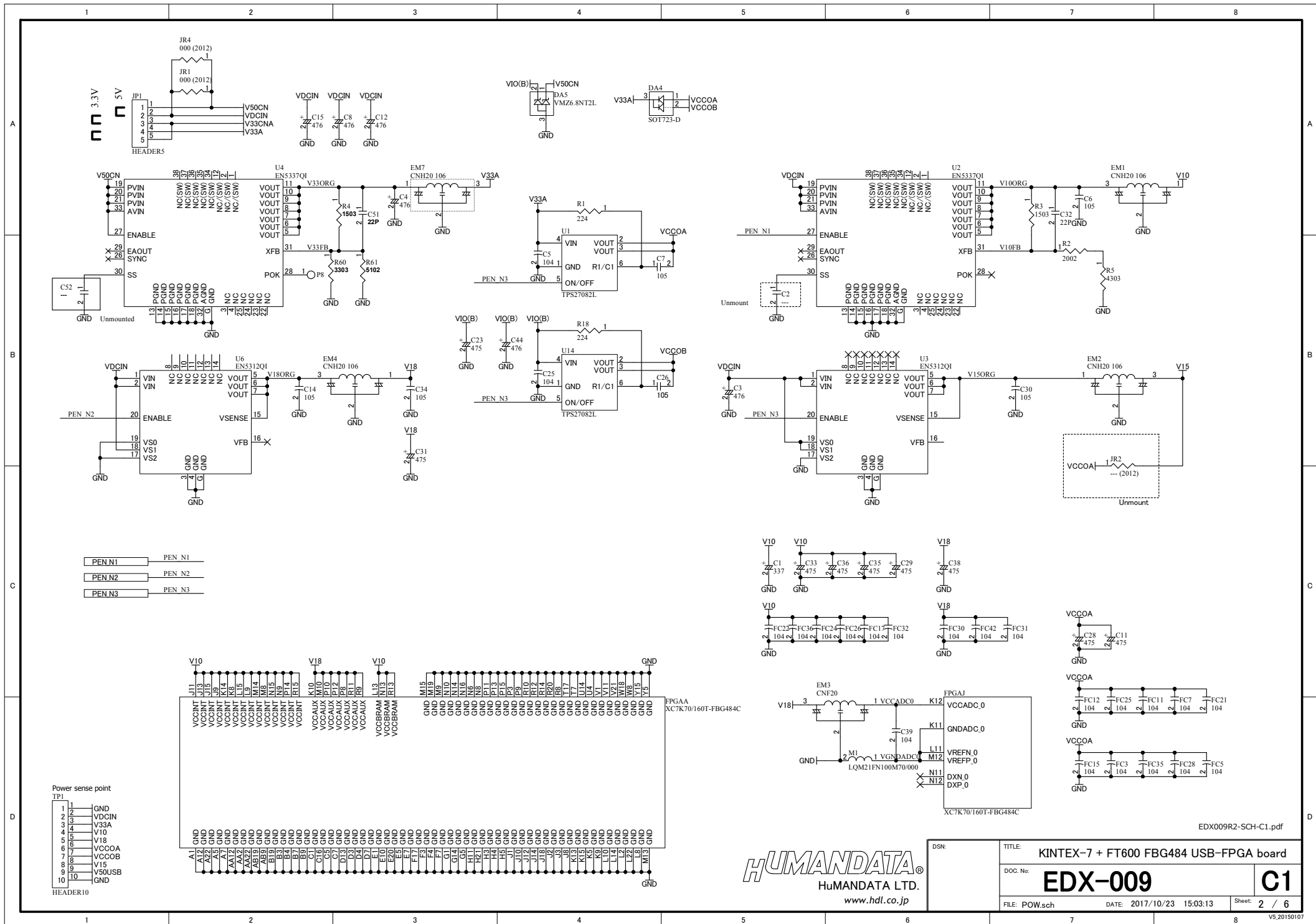
Pin	Signal
1	V33A
2	V33A
3	V33A
4	V33A
5	V33A
6	V33A
7	V33A
8	V33A
9	V33A
10	V33A
11	V33A
12	V33A
13	V33A
14	V33A
15	V33A
16	V33A
17	V33A
18	V33A
19	V33A
20	V33A
21	V33A
22	V33A
23	V33A
24	V33A
25	V33A
26	V33A
27	V33A
28	V33A
29	V33A
30	V33A
31	V33A
32	V33A
33	V33A
34	V33A
35	V33A
36	V33A
37	V33A
38	V33A
39	V33A
40	V33A
41	V33A
42	V33A
43	V33A
44	V33A
45	V33A
46	V33A
47	V33A
48	V33A
49	V33A
50	V33A
51	V33A
52	V33A
53	V33A
54	V33A
55	V33A
56	V33A
57	V33A
58	V33A
59	V33A
60	V33A
61	V33A
62	V33A
63	V33A
64	V33A
65	V33A
66	V33A



EDX009R2-SCH-C1.pdf



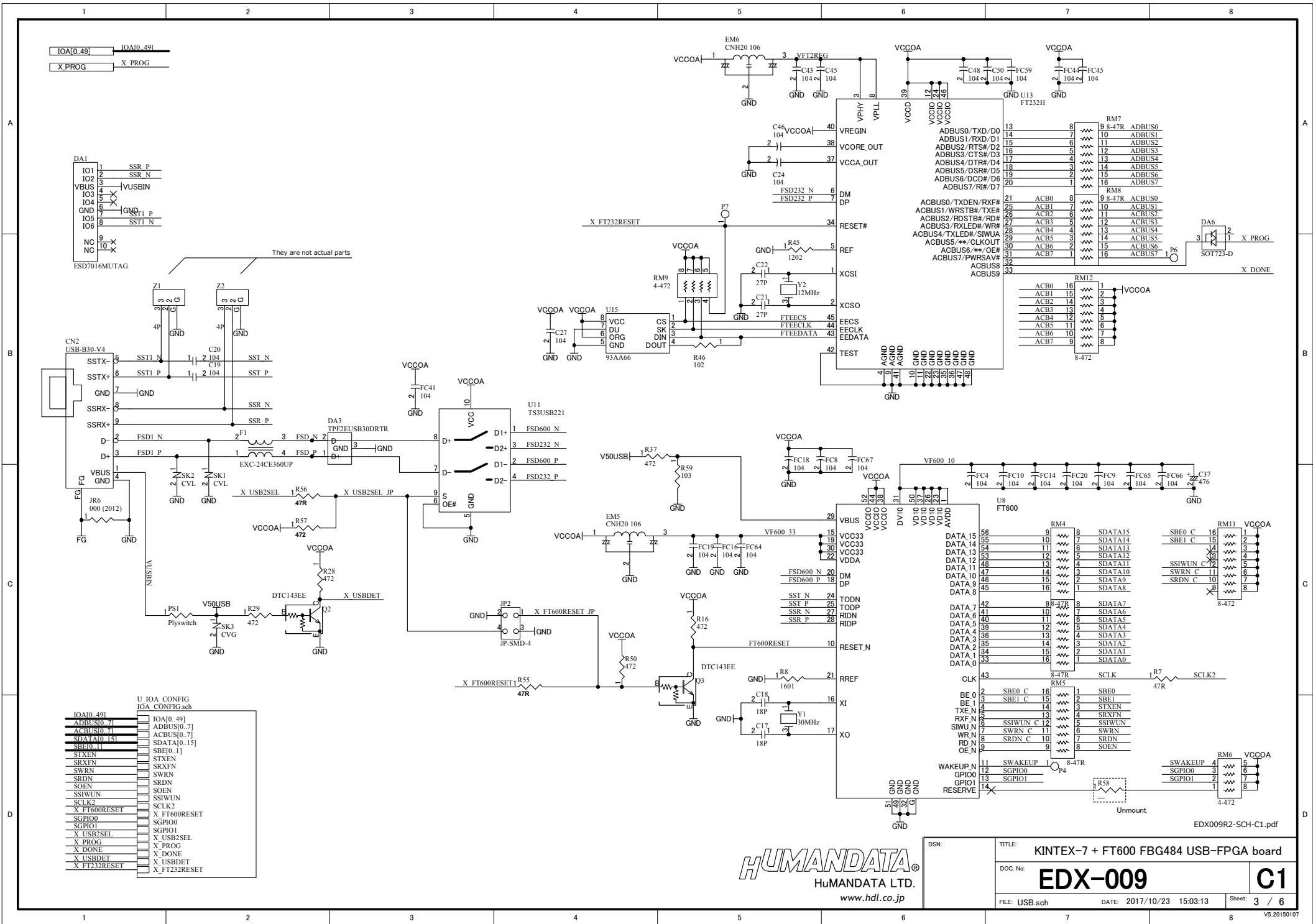
DSN:	TITLE: KINTEX-7 + FT600 FBG484 USB-FPGA board
DOC. No: EDX-009	C1
FILE: EDX009C.sch	DATE: 2017/10/23 15:03:13 Sheet: 1 / 6



EDX009R2-SCH-C1.pdf



DSN:	TITLE: KINTEX-7 + FT600 FBG484 USB-FPGA board
DOC. No:	EDX-009
FILE: POW.sch	DATE: 2017/10/23 15:03:13
Sheet: 2 / 6	C1



IOA[0..49] IOA[0..49]
X PROG X PROG

DA1
IO1 1 SSR P
IO2 2 SSR N
VBUS 3 VUSBIN
IO3 4
IO4 5
IO4 6
IO5 7 GND11 P
IO6 8 SSI1 N
NC 9
NC 10

ESD7016MUTAG

CN2 USB-B30-V4
SSTX- 5 SST1 N
SSTX+ 6 SST1 P
GND 7
SSRX- 8
SSRX+ 9
D- 2 FSD1 N
D+ 3 FSD1 P
VBUS 1
GND 4

U JOA CONFIG IOA_CONFIG.sch

IOA[0..49]	IOA[0..49]
ADBUS0..7	ADBUS[0..7]
ACBUS0..7	ACBUS[0..7]
SDATA[0..15]	SDATA[0..15]
SBE[0..1]	SBE[0..1]
STXEN	STXEN
SRXFN	SRXFN
SWRN	SWRN
SRDN	SRDN
SOEN	SOEN
SSIWUN	SSIWUN
SCLK2	SCLK2
X_FT600RESET	X_FT600RESET
SGPI00	SGPI00
SGPI01	SGPI01
X_USB2SEL	X_USB2SEL
X_PROG	X_PROG
X_DONE	X_DONE
X_USBDT	X_USBDT
X_FT232RESET	X_FT232RESET

DSN: TITLE: KINTEX-7 + FT600 FBG484 USB-FPGA board

DOC No: EDX-009

FILE: USB.sch DATE: 2017/10/23 15:03:13 Sheet: 3 / 6

EDX009R2-SCH-C1.pdf



BANK Group A

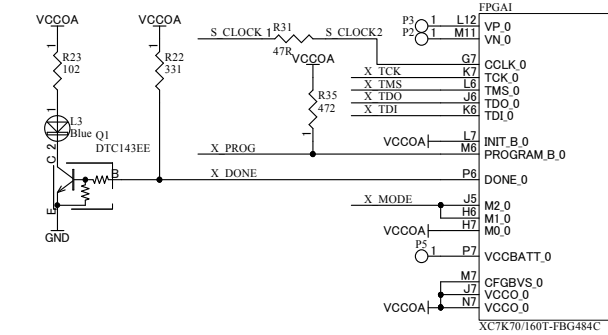
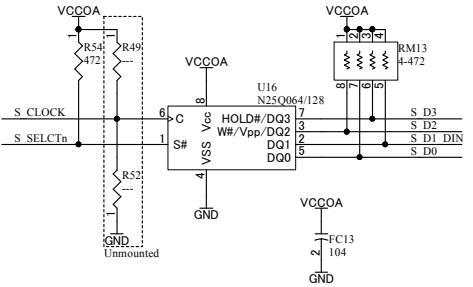
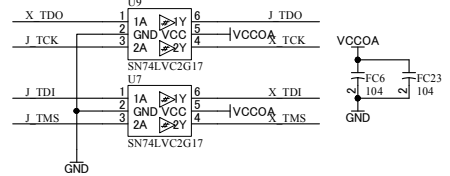
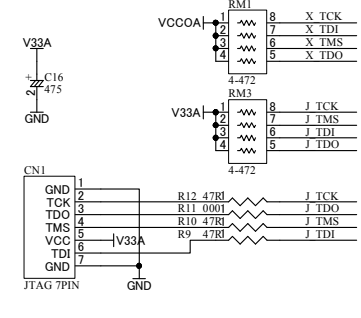
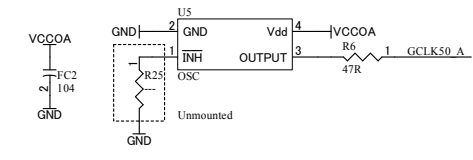
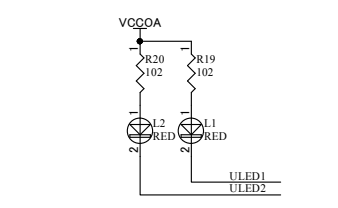
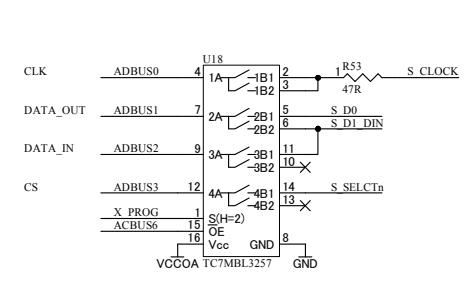
IOA[0..49]	IOA[0..49]
ADBUS[0..7]	ADBUS[0..7]
ACBUS[0..7]	ACBUS[0..7]
SDATA[0..15]	SDATA[0..15]
SBE[0..1]	SBE[0..1]
SRXEN	SRXEN
SRXFN	SRXFN
SWRN	SWRN
SRDN	SRDN
SOEN	SOEN
SSIWUN	SSIWUN
SCLK2	SCLK2
SGPIO0	SGPIO0
SGPIO1	SGPIO1

X FT600RESET	X FT600RESET
X FT232RESET	X FT232RESET
X USBDET	X USBDET
X PROG	X PROG
X DONE	X DONE
X USB2SEL	X USB2SEL

FPGA E	
X USBDET	F14
X USB2SEL	D10
ASW	C10
	G13
	F13
	H14
	H13
	I13
	I12
	E12
	E11
	F10
	E11
	D11
X FT232RESET	G11
	G10
	H12
	E11
	F12
	F12
	E12
	E9
	H9
	H8
	F8
	F9
	G8
	H10
	O9
	B11
	B10
	A9
	A8
	C8
	B8
	A11
	A10
	E8
	C11
	D8
	F12
	G9
	C9
	I07

FPGA D	
IOA43	D12
IOA42	G15
	C12
	F16
	F15
	F16
	I13
	I12
	I11
	A14
	C13
	B13
	E14
	D14
	C14
	C15
	B16
	A16
	B15
	A15
	D15
	B17
	A18
	E18
	E18
	D17
	C18
	E17
	E18
	E18
	D17
	H17
	G17
	J17
	F18
	E19
	D19
	D20
	C19
	C20
	B18
	A19
	G22
	B22
	A20
	A21
	D21
	D22
	B20
	B21
	H15
	B14
	C21
	D18
	E15
	E15
	E15
	E15

FPGA C	
IO 0..14	K18
IO L1P T0 D00 MOSI_14	H19
IO L1N T0 D01 DIN_14	G18
IO L2P T0 D02_14	F19
IO L2N T0 D03_14	K18
IO L3P T0 D05 ADIP_15	J18
IO L3N T0 D06 EMCCLK_14	G20
IO L4P T0 D04_14	F20
IO L4N T0 D05_14	L18
IO L5P T0 D06_14	K19
IO L5N T0 D07_14	L16
IO L6P T0 FCS_B_14	K17
IO L6N T0 D08 VREF_14	E21
IO L7P T1 D09_14	E21
IO L7N T1 D10_14	E22
IO L8P T1 D11_14	H22
IO L8N T1 D12_14	G22
IO L9P T1 DQS_14	F21
IO L9N T1 DQS D13_14	G21
IO L10P T1 D14_14	J21
IO L10N T1 D15_14	J22
IO L11P T1 SRCC_14	H20
IO L12P T1 MRCC_14	J20
IO L12N T1 MRCC_14	L19
IO L13P T2 MRCC_14	L20
IO L13N T2 MRCC_14	N18
IO L14P T2 SRCC_14	N18
IO L14N T2 SRCC_14	M18
IO L15P T2 DQS RDWR_B_14	N22
IO L15N T2 DQS DOUT_CSO_B_14	M22
IO L16P T2 CS1_B_14	K21
IO L16N T2 A15 D31_14	K21
IO L17P T2 A14 D30_14	K22
IO L17N T2 A13 D29_14	N20
IO L18P T2 A12 D28_14	M21
IO L18N T2 A11 D27_14	M20
IO L19P T3 A10 D26_14	L21
IO L19N T3 A09 D25 VREF_14	R18
IO L20P T3 A08 D24_14	R19
IO L20N T3 A07 D23_14	P19
IO L21P T3 DQS_14	P20
IO L21N T3 DQS A06 D22_14	P17
IO L22P T3 A05 D21_14	P21
IO L22N T3 A04 D20_14	P22
IO L23P T3 A03 D19_14	P16
IO L23N T3 A02 D18_14	N17
IO L24P T3 A01 D17_14	R21
IO L24N T3 A00 D16_14	P22
IO 25_14	M18

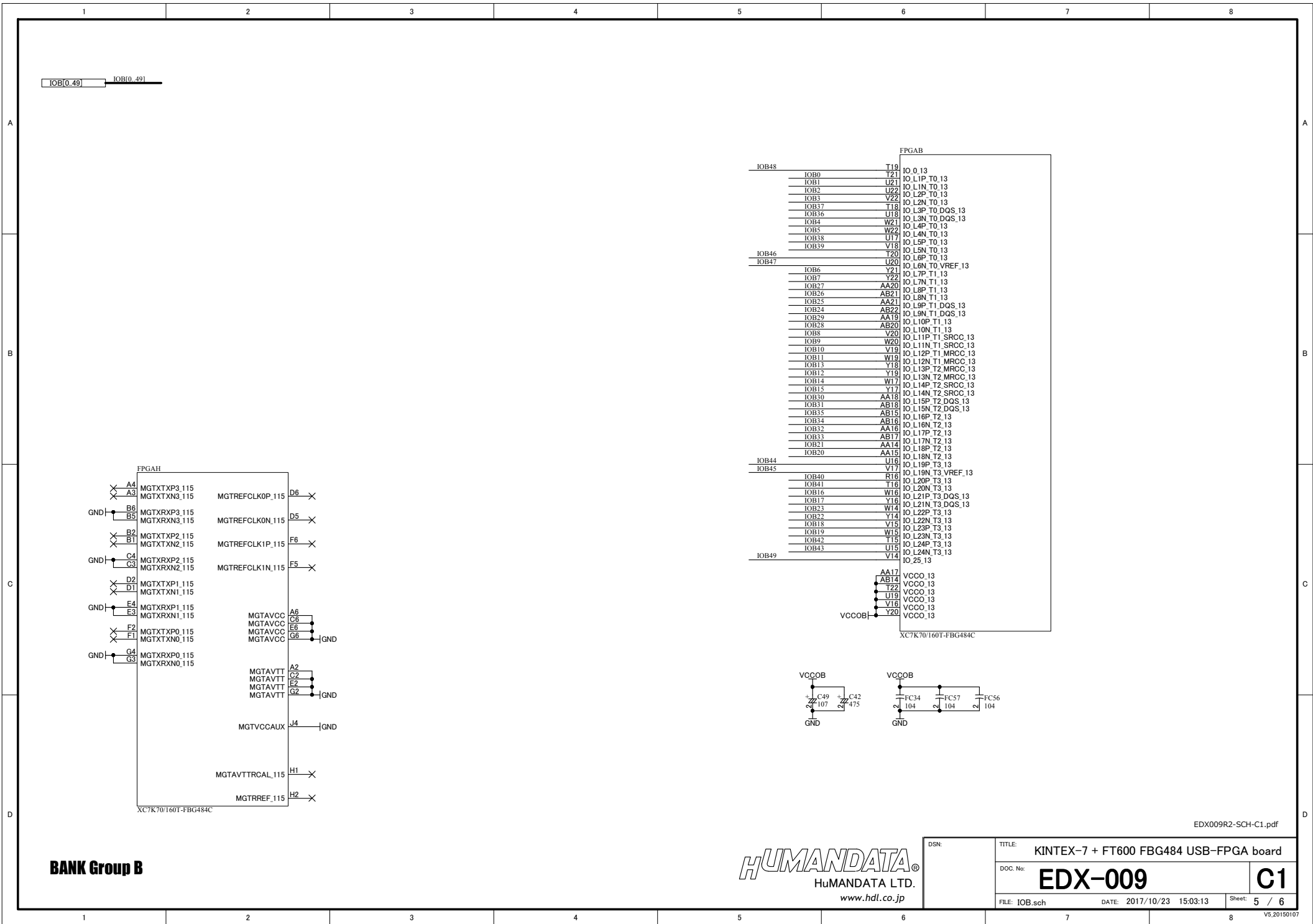


DSN: TITLE: KINTEX-7 + FT600 FBG484 USB-FPGA board

DOC. No: EDX-009

FILE: IOA_CONFIG.sch DATE: 2017/10/23 15:03:13 Sheet: 4 / 6

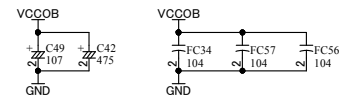
V5.20150107



IOB[0..49]

FPGA		
IOB48	T19	IO 0..13
IOB0	T21	IO L1P T0..13
IOB1	U21	IO L1N T0..13
IOB2	U22	IO L2P T0..13
IOB3	V22	IO L2N T0..13
IOB37	T18	IO L3P T0 DQS..13
IOB36	U18	IO L3N T0 DQS..13
IOB4	W21	IO L4P T0..13
IOB5	W22	IO L4N T0..13
IOB38	U17	IO L5P T0..13
IOB39	V18	IO L5N T0..13
IOB46	T20	IO L6P T0..13
IOB47	U20	IO L6N T0 VREF..13
IOB6	Y21	IO L7P T1..13
IOB7	Y22	IO L7N T1..13
IOB27	AA20	IO L8P T1..13
IOB26	AB21	IO L8N T1..13
IOB25	AA21	IO L8P T1 DQS..13
IOB24	AB22	IO L8N T1 DQS..13
IOB29	AA19	IO L9N T1 DQS..13
IOB28	AB20	IO L10P T1..13
IOB8	V20	IO L10N T1..13
IOB9	W20	IO L11P T1 SRCC..13
IOB10	V19	IO L11N T1 SRCC..13
IOB11	W19	IO L12P T1 MRCC..13
IOB13	Y18	IO L12N T1 MRCC..13
IOB12	Y19	IO L13P T2 MRCC..13
IOB14	W17	IO L13N T2 MRCC..13
IOB15	Y17	IO L14P T2 SRCC..13
IOB30	AA18	IO L14N T2 SRCC..13
IOB31	AB18	IO L15P T2 DQS..13
IOB35	AB15	IO L15N T2 DQS..13
IOB34	AB16	IO L16P T2..13
IOB32	AA16	IO L16N T2..13
IOB33	AB17	IO L17P T2..13
IOB21	AA14	IO L17N T2..13
IOB20	AA15	IO L18P T2..13
IOB44	U16	IO L18N T2..13
IOB45	V17	IO L19P T3..13
IOB40	R16	IO L19N T3 VREF..13
IOB41	T16	IO L20P T3..13
IOB16	W16	IO L20N T3..13
IOB17	Y16	IO L21P T3 DQS..13
IOB23	W14	IO L21N T3 DQS..13
IOB22	Y14	IO L22P T3..13
IOB18	V15	IO L22N T3..13
IOB19	W15	IO L23P T3..13
IOB42	T15	IO L23N T3..13
IOB43	U15	IO L24P T3..13
IOB49	V14	IO L24N T3..13
		IO 25..13
	AA17	VCCO..13
	AB14	VCCO..13
	T22	VCCO..13
	U19	VCCO..13
	V16	VCCO..13
	Y20	VCCO..13

XC7K70/160T-FBG484C

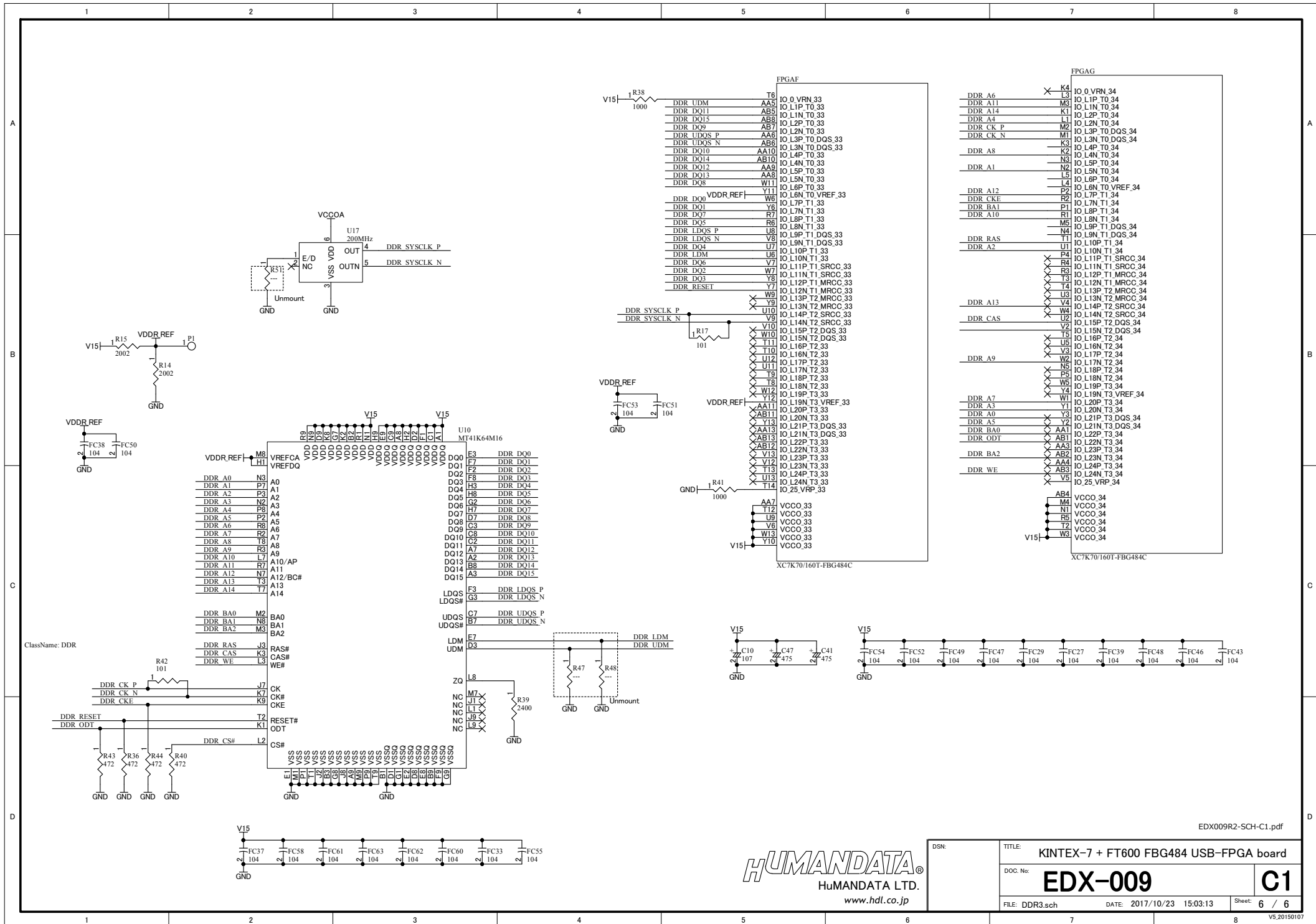


BANK Group B



DSN:	TITLE: KINTEX-7 + FT600 FBG484 USB-FPGA board
DOC. No: EDX-009	C1
FILE: IOB.sch	DATE: 2017/10/23 15:03:13
Sheet: 5 / 6	

EDX009R2-SCH-C1.pdf



EDX009R2-SCH-C1.pdf



DSN:	TITLE: KINTEX-7 + FT600 FBG484 USB-FPGA board
DOC. No:	EDX-009
FILE: DDR3.sch	DATE: 2017/10/23 15:03:13
Sheet: 6 / 6	