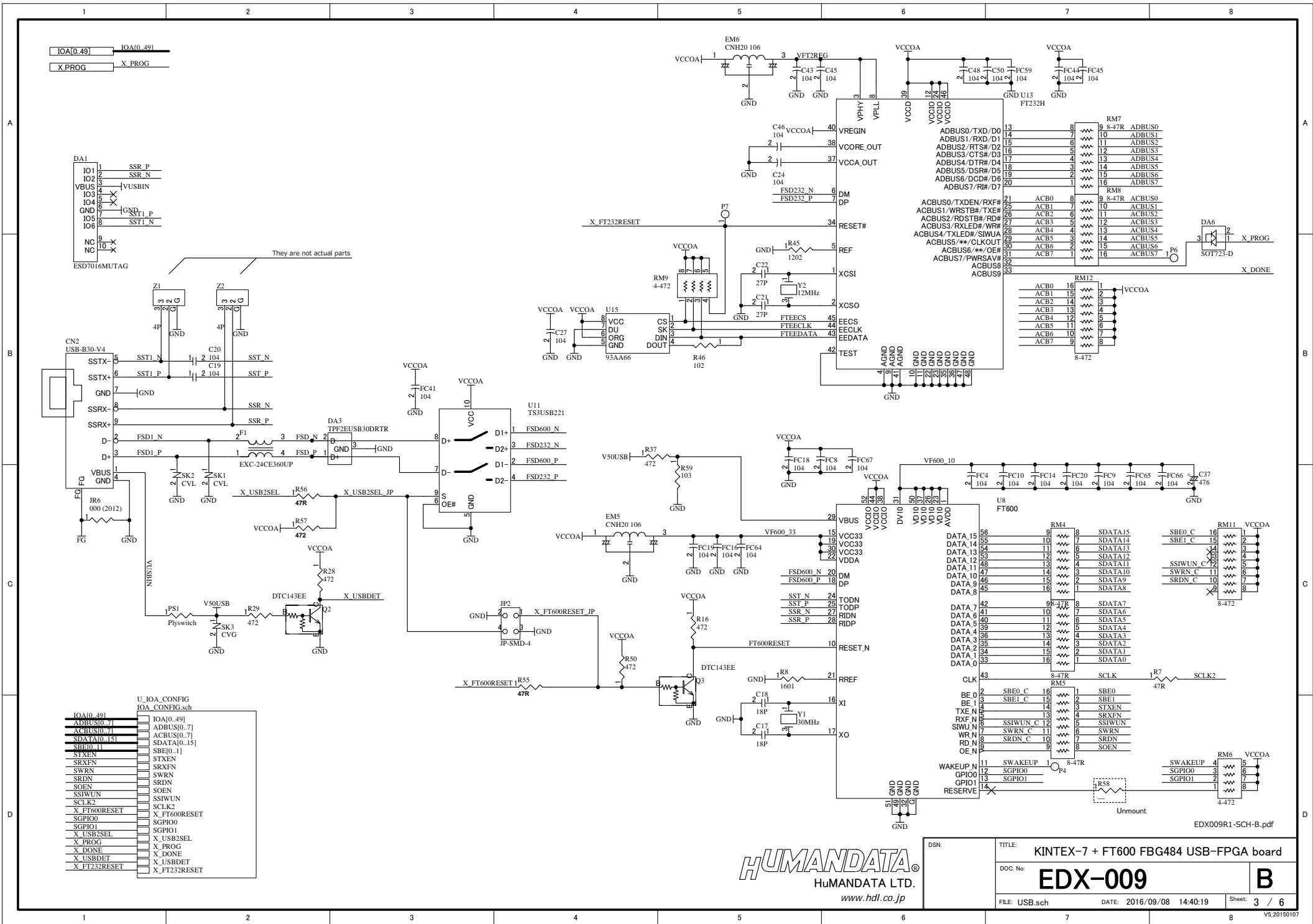


DSN:	TITLE: KINTEX-7 + FT600 FBG484 USB-FPGA board
DOC. No:	EDX-009
FILE: POW.sch	DATE: 2016/09/08 14:40:19
Sheet: 2 / 6	B



IOA[0..49] X PROG  
X PROG

DA1  
IO1 SSR P  
IO2 SSR N  
VBUS |VUSBIN  
IO3 X  
IO4 X  
IO5 X  
IO6 X  
IO7 GND T1 P  
IO8 SSI1 N  
NC X  
NC X

ESD7016MUTAG

Z1 Z2  
4P GND 4P GND

They are not actual parts

CN2 USB-B30-V4  
SSTX- 5 SST1 N  
SSTX+ 6 SST1 P  
GND 7 GND  
SSRX- 8 SSR N  
SSRX+ 9 SSR P

F1 EXC-24CE360UP  
FSD1 N 2  
FSD1 P 3  
FSD N 4  
FSD P 1

VBUS GND  
GND  
JR6 000 (2012)  
FG GND

VCCOA  
R56 47R  
R57 47R

V50USB Plyswitch  
SK3 CVG  
GND

DTC143EE  
R29 47R  
D2  
GND

U\_JOA\_CONFIG IOA\_CONFIG.sch

IOA[0..49]	IOA[0..49]
ADBUS[0..7]	ADBUS[0..7]
ACBUS[0..7]	ACBUS[0..7]
SDATA[0..15]	SDATA[0..15]
SBE[0..1]	SBE[0..1]
STXEN	STXEN
SRXFN	SRXFN
SWRN	SWRN
SRDN	SRDN
SOEN	SOEN
SSIWUN	SSIWUN
SCLK2	SCLK2
X_FT600RESET	X_FT600RESET
SGPI0	SGPI0
SGPI1	SGPI1
X_USB2SEL	X_USB2SEL
X_PROG	X_PROG
X_DONE	X_DONE
X_USBDDET	X_USBDDET
X_FT232RESET	X_FT232RESET

DSN: TITLE: KINTEX-7 + FT600 FBG484 USB-FPGA board

DOC. No: EDX-009

FILE: USB.sch DATE: 2016/09/08 14:40:19 Sheet: 3 / 6

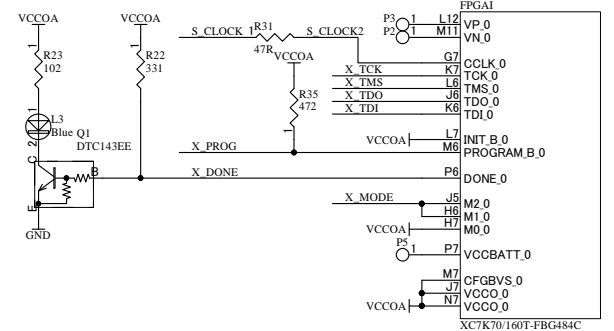
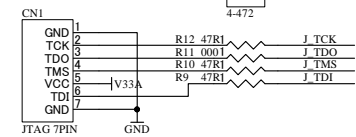
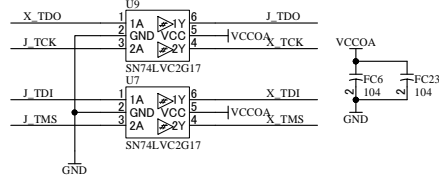
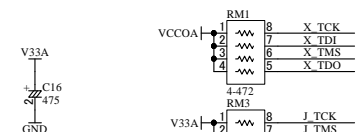
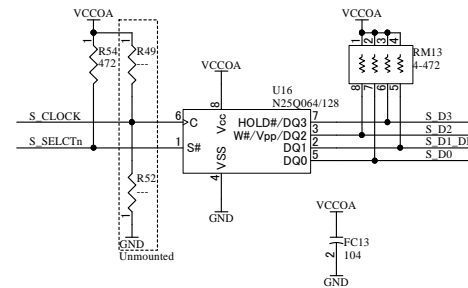
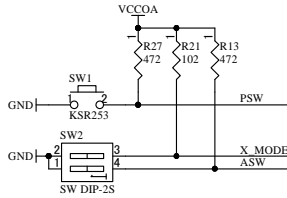
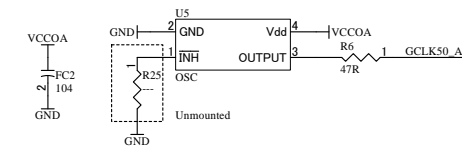
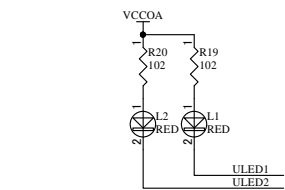
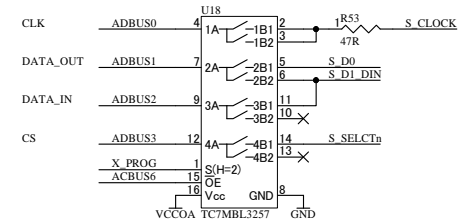
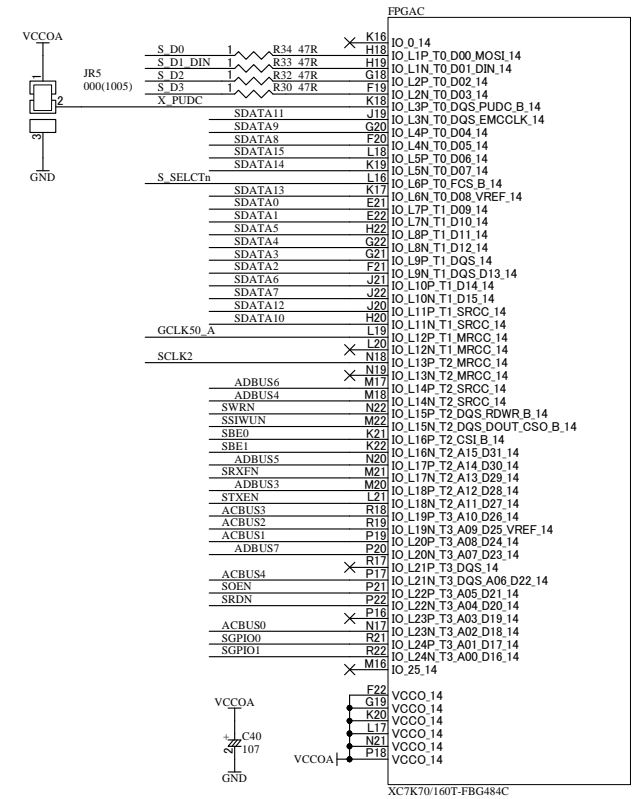
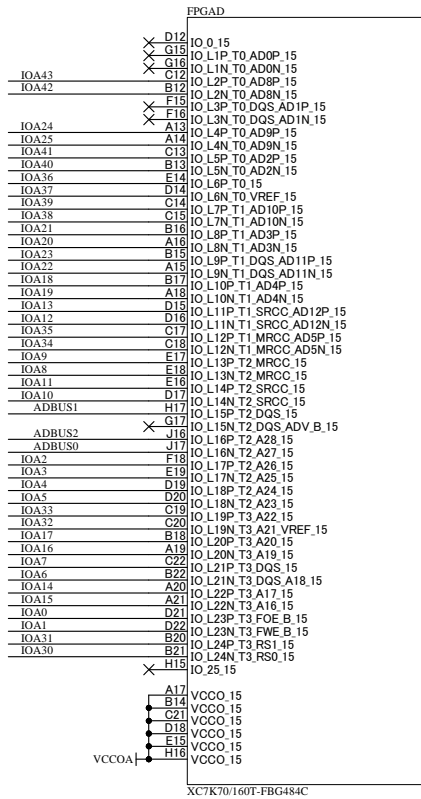
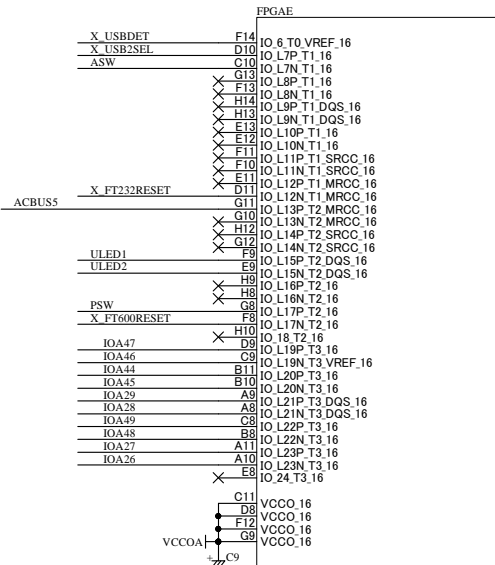
EDX009R1-SCH-B.pdf



# BANK Group A

IOA[0..49]	IOA[0..49]
ADBUS[0..7]	ADBUS[0..7]
ACBUS[0..7]	ACBUS[0..7]
SDATA[0..15]	SDATA[0..15]
SBE[0..1]	SBE[0..1]
SRXFN	SRXFN
SRXFN	SRXFN
SWRN	SWRN
SRDN	SRDN
SOEN	SOEN
SSIWUN	SSIWUN
SCLK2	SCLK2
SGPIO0	SGPIO0
SGPIO1	SGPIO1

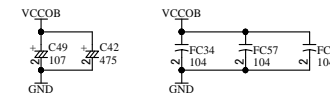
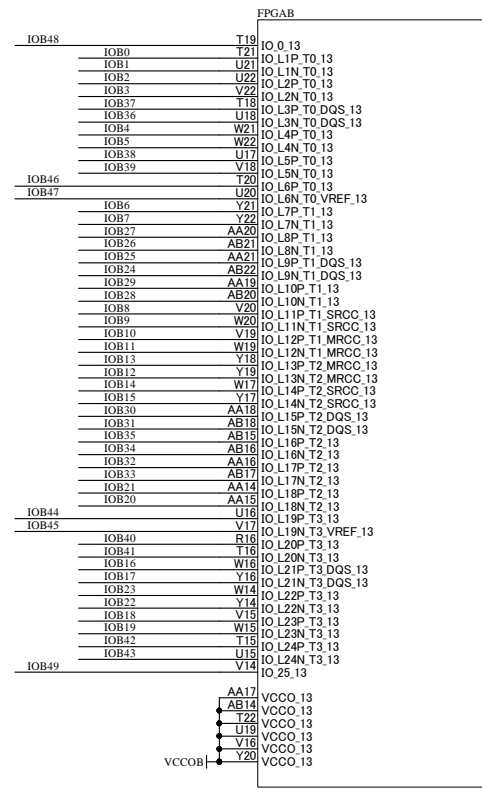
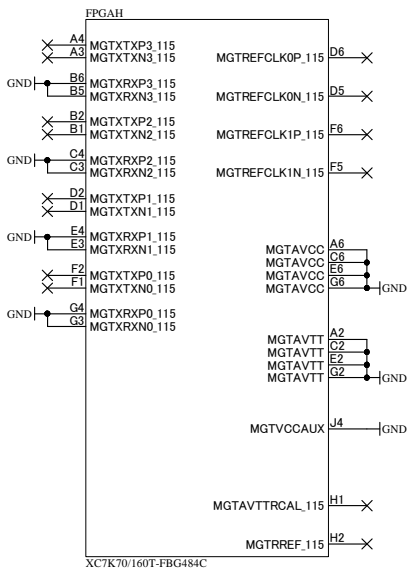
X FT600RESET	X FT600RESET
X FT232RESET	X FT232RESET
X USBDET	X USBDET
X PROG	X PROG
X DONE	X DONE
X USB2SEL	X USB2SEL



**HUMAN DATA**  
HuMANDATA LTD.  
www.hdl.co.jp

DSN:	TITLE: KINTEX-7 + FT600 FBG484 USB-FPGA board
DOC. No:	EDX-009
FILE: IOA.CONFIG.sch	DATE: 2016/09/08 14:40:19
Sheet: 4 / 6	B

IOB[0..49]



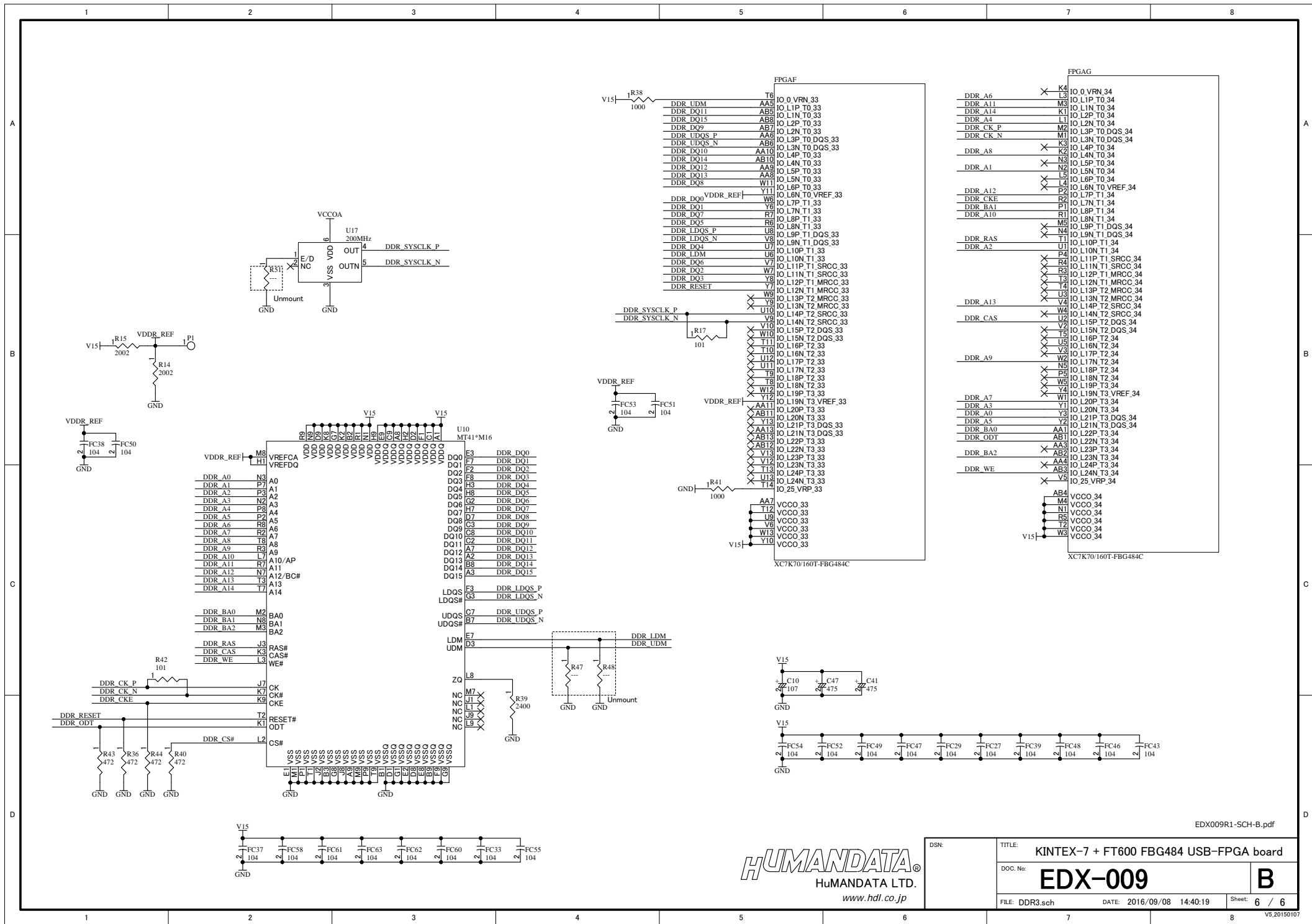
BANK Group B

**HUMAN DATA**  
HuMANDATA LTD.  
www.hdl.co.jp

DSN:	TITLE: KINTEX-7 + FT600 FBG484 USB-FPGA board
DOC. No: EDX-009	B
FILE: IOB.sch	DATE: 2016/09/08 14:40:19
Sheet: 5 / 6	

EDX009R1-SCH-B.pdf

V5.20150107



DSN:	TITLE: KINTEX-7 + FT600 FBG484 USB-FPGA board
DOC. No:	EDX-009
FILE: DDR3.sch	DATE: 2016/09/08 14:40:19
Sheet: 6 / 6	