

VCCOB	VCCOB
VCCOA	VCCOA
VIO(B)	VIO(B)
V33A	V33A
V25	V25
GND	GND

Power sense point

TP1	GND
2	V50CN
3	V33A
4	VCCINT_10
5	VCCAUX_18
6	VCCOA
7	VCCOB
8	VDDR V_USB
9	GND
10	GND

EDX008R1-SCH-B1.pdf

HUMAN DATA
HuMANDATA LTD.
www.hdl.co.jp

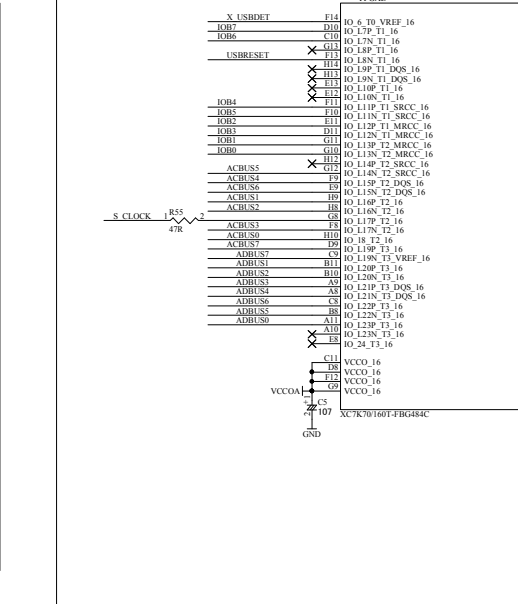
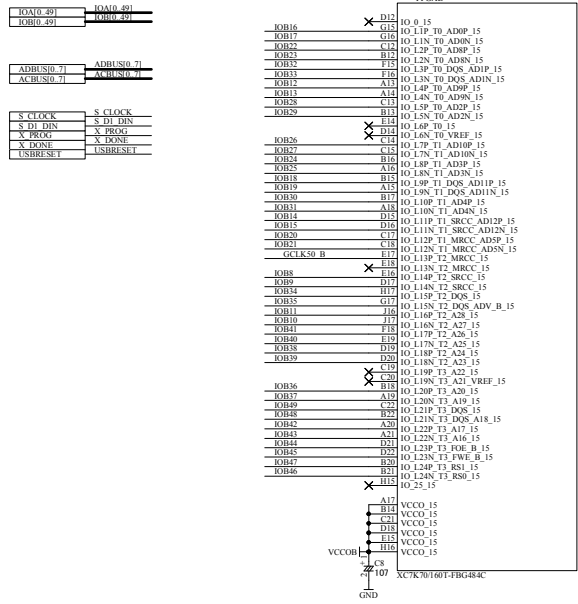
DIN: TITLE: KINTEX-7 FBG484 USB-FPGA board

DOC. NO: **EDX-008** B1

FILE: EDX008.sch DATE: 2017/06/05 16:52:06 Sheet 1 / 4

VCCOB	VCCOB	VCCINT_10	VCCINT_10
VCCOA	VCCOA	VCCAUX_18	VCCAUX_18
VIOB	VIOB	V_USH1	V_USH1
V33A	V33A		
V25	V25		
GND	GND		

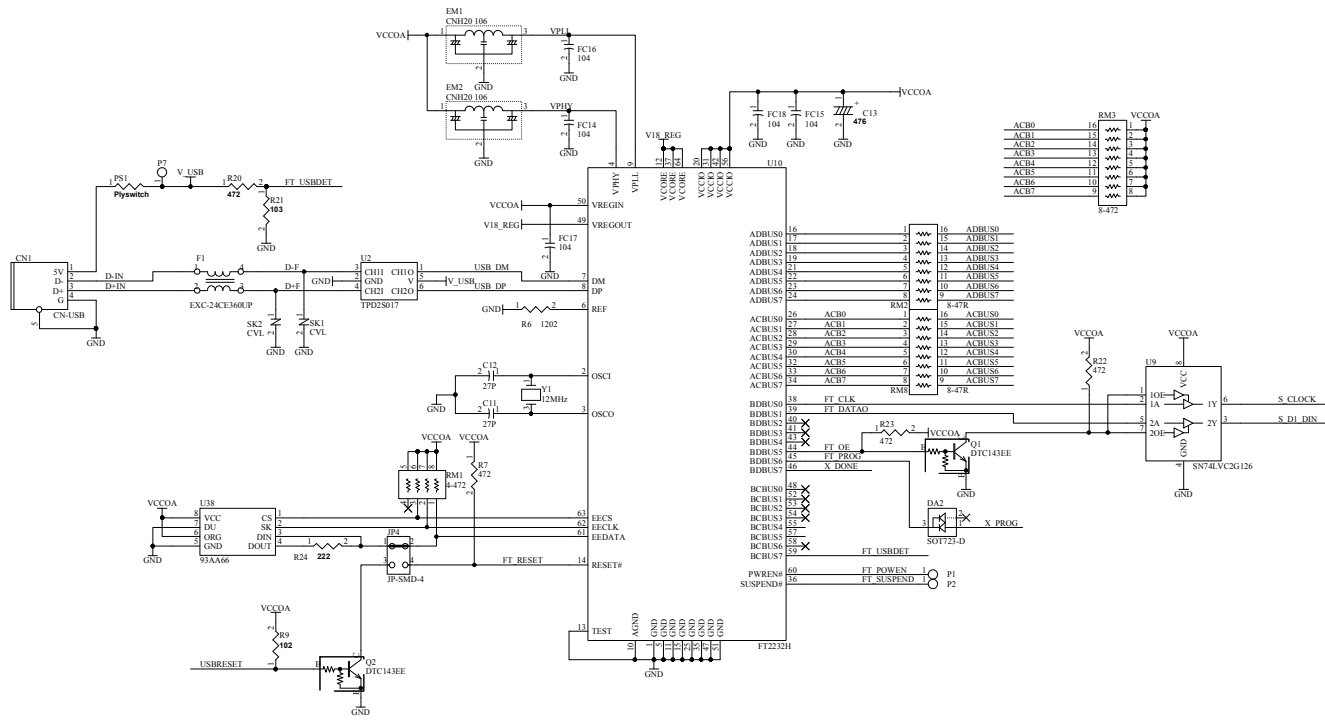
BANK Group B **BANK Group A**



VCCOB	VCCOB	VCCINT_10	VCCINT_10
VCCOA	VCCOA	VCCAUX_18	VCCAUX_18
VIOB0	VIOB0		
V33A	V33A	V_USB	V_USB
V25	V25		
GND	GND		

ADBUS0_7	ADBUS0_7
ACBUS0_7	ACBUS0_7

S_CLOCK	S_CLOCK
S_DI_DIN	S_DI_DIN
X_PROG	X_PROG
X_DONE	X_DONE
USBRESET	USBRESET



EDX008R1-SCH-B1.pdf



DWG:	TITLE:	KINTEX-7 FBG484 USB-FPGA board	
DOC. No:	EDX-008		B1
FILE: USBIF.sch	DATE: 2017/06/05	16:52:06	Sheet 4 / 4