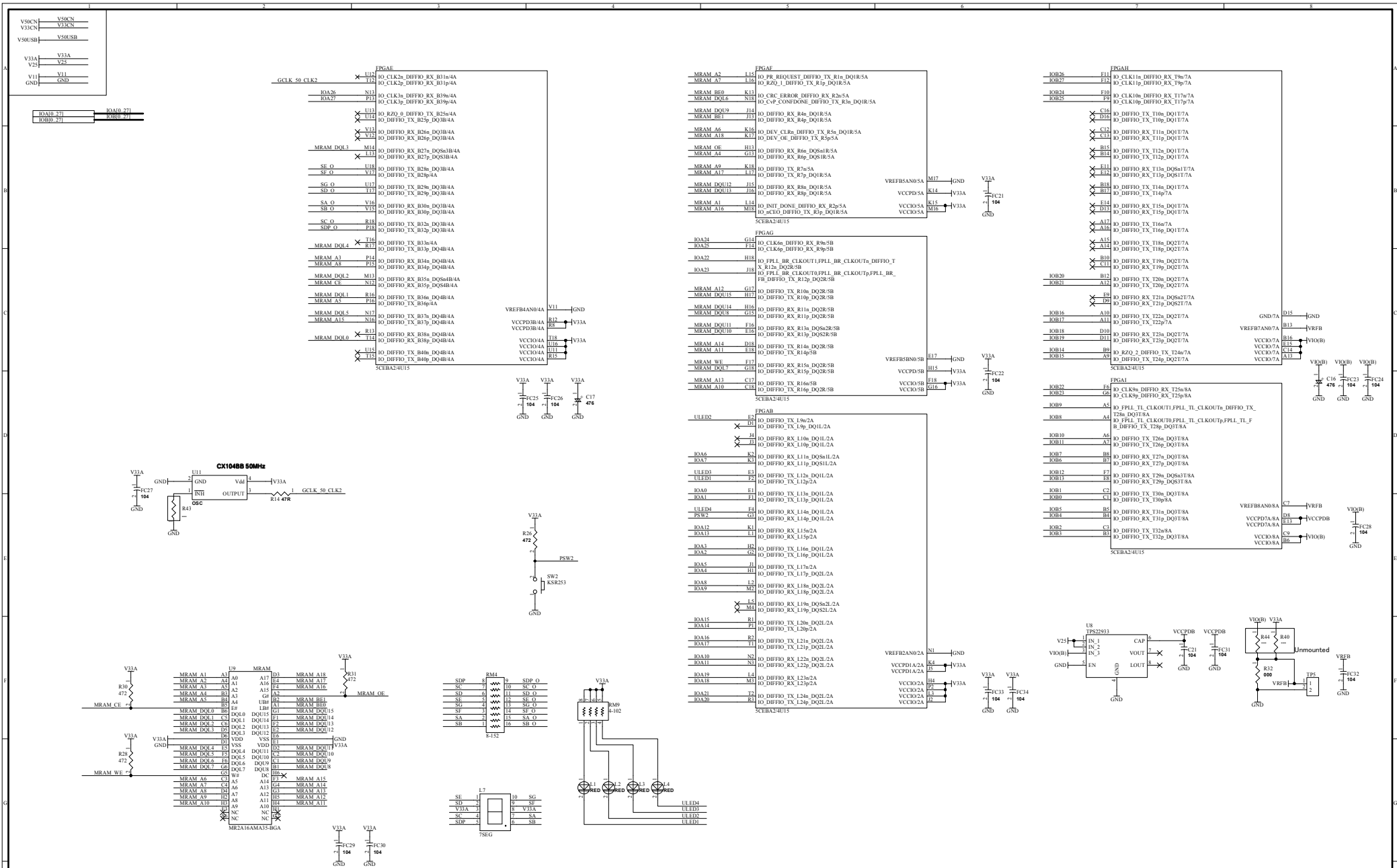


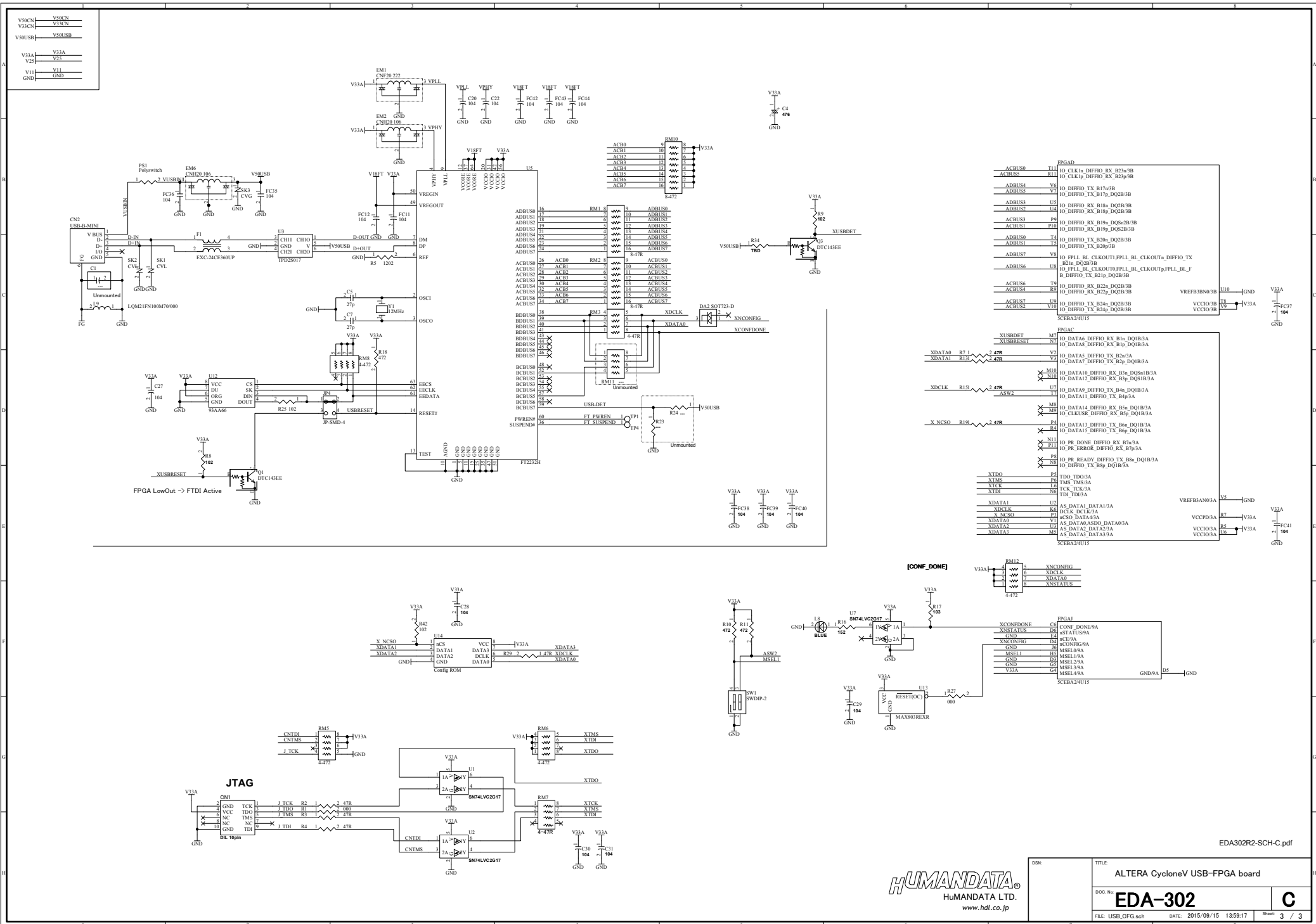
DSN	TITLE	ALTERA CycloneV USB-FPGA board	
	DOC. No.	EDA-302	
	FILE	EDA302R2.sch	DATE: 2015/09/15 13:59:16 Sheet 1 / 3
	Scale	1 / 3	



EDA302R2-SCH-C.pdf



DSN	TITLE	ALTERA CycloneV USB-FPGA board	
	DOC. NO.	EDA-302	
	FILE	IOAB.sch	DATE: 2015/09/15 13:59:16 Sheet 2 / 3
			C



DS#	TITLE	ALTERA Cyclone V USB-FPGA board	
DOC. NO.	EDA-302		
FILE	USB_CFG.sch	DATE	2015/09/15 13:59:17
Sheet	3 / 3	C	