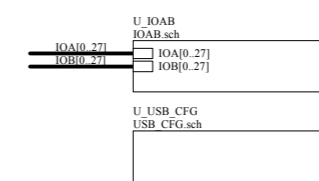
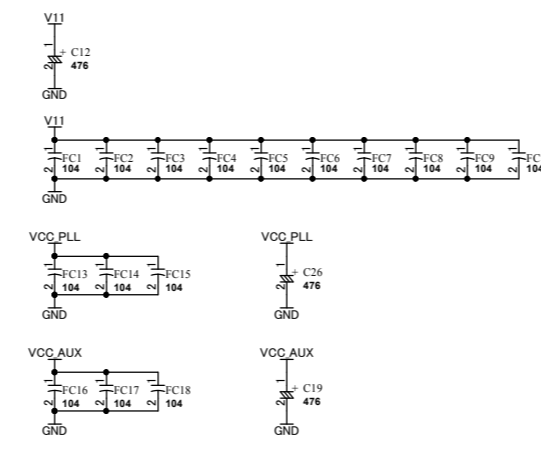
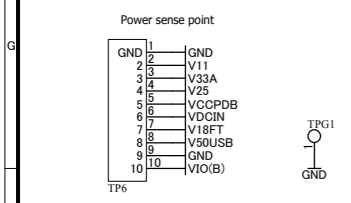
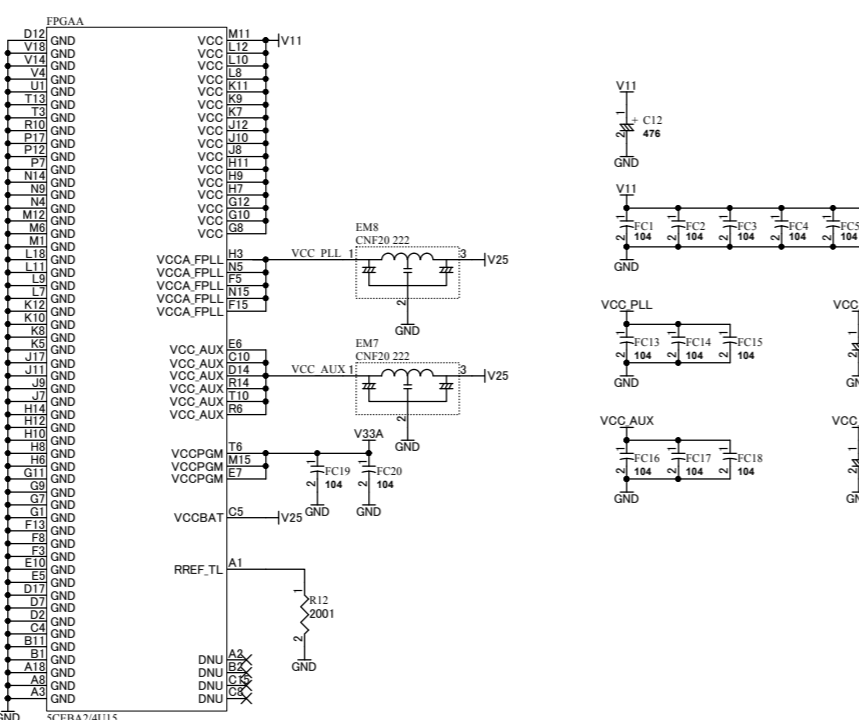
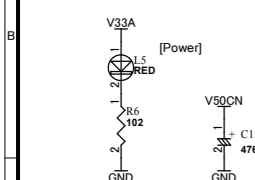
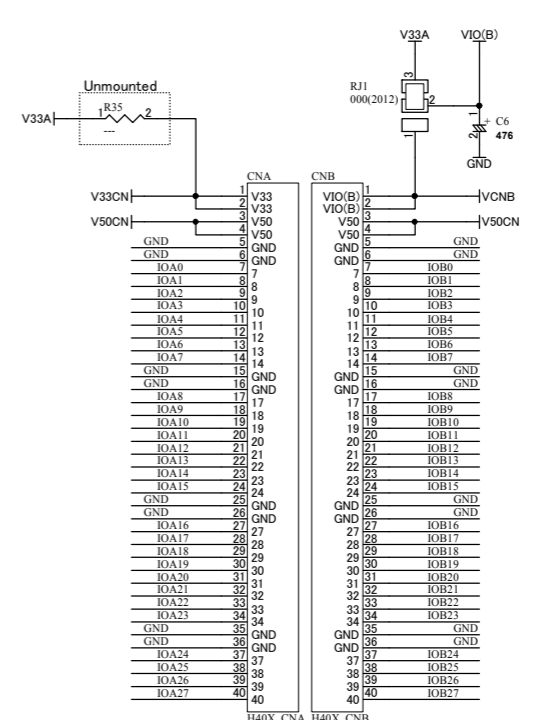
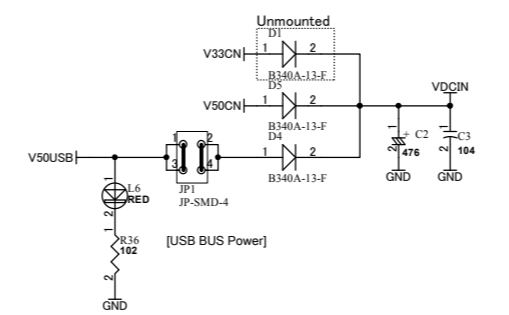
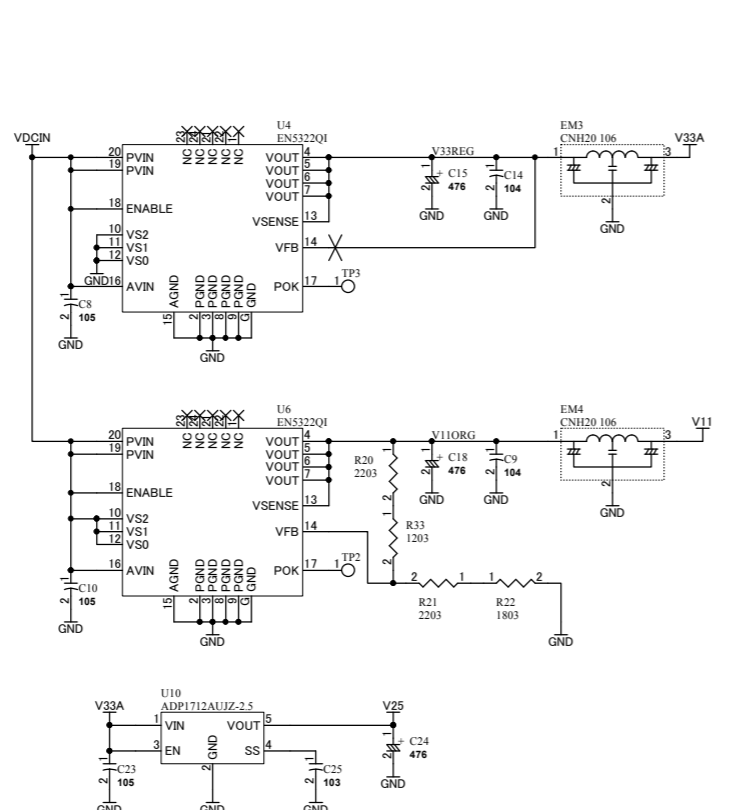
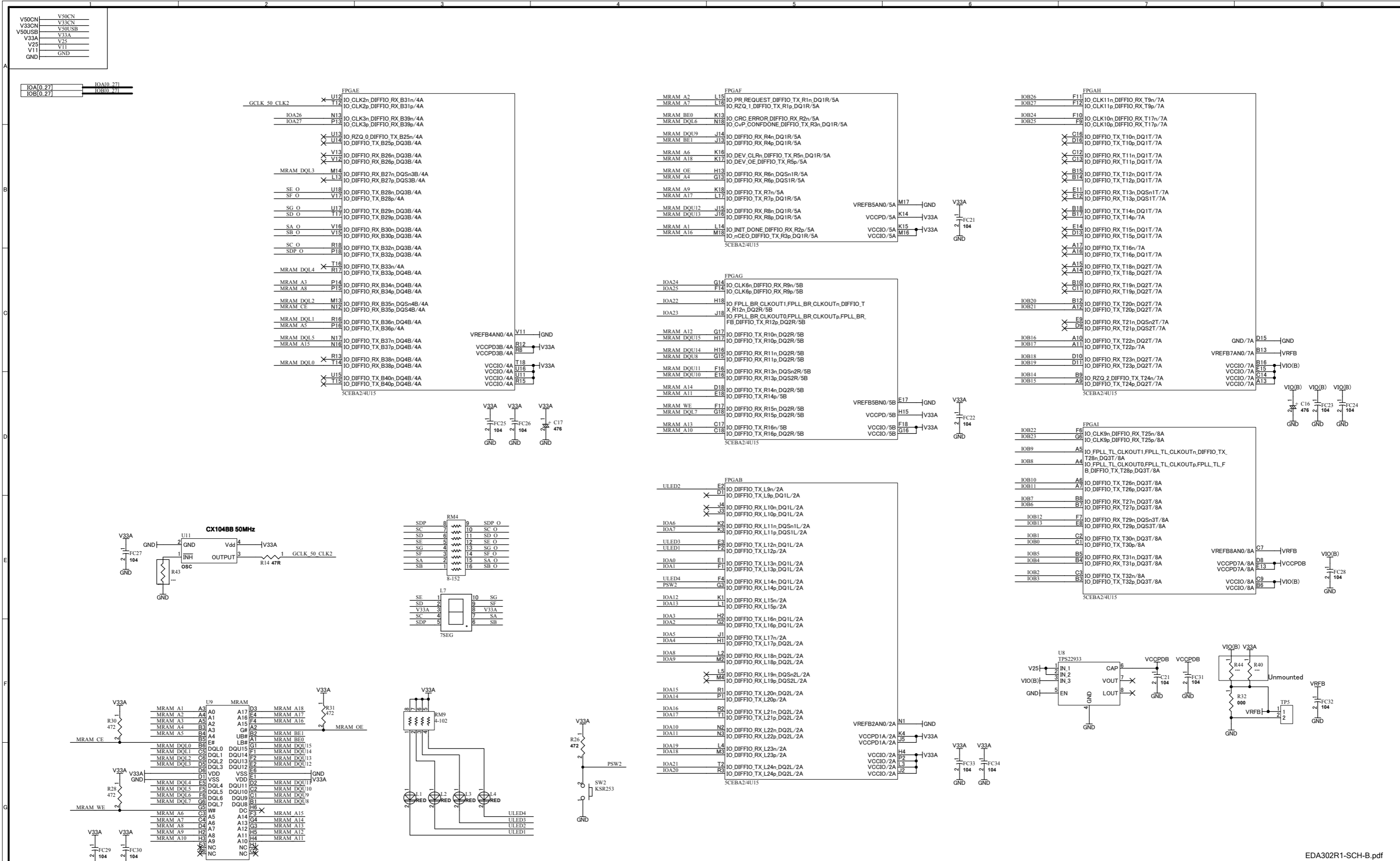


V50CN	V50CN
V33CN	V33CN
V30USB	V30USB
V33A	V33A
V25	V25
V11	V11
GND	GND



EDA302R1-SCH-B.pdf

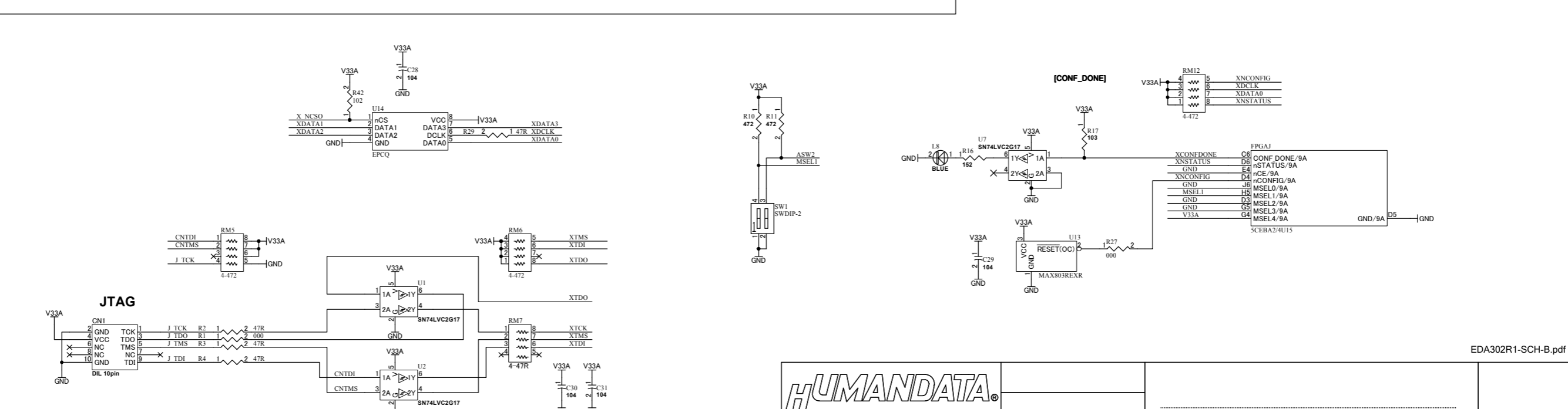
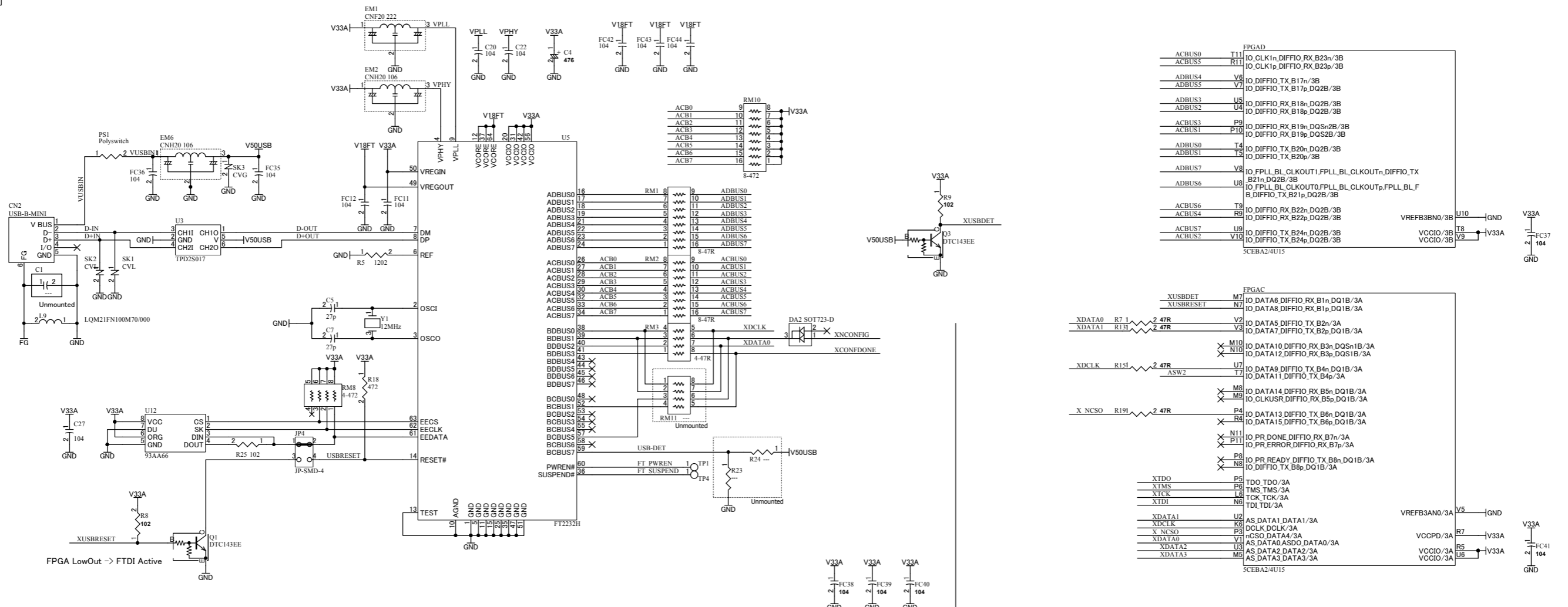
<b>HUMANDATA</b>			
HuMANDATA LTD. OSAKA JAPAN www.hdl.co.jp/en/(Global) www.hdl.co.jp/(Japan)		ALTERA Cyclone V E UBG324 USB-FPGA board	
Date: 2013/12/16	16:13:13	DOC. No. EDA-302	B
File: EDA302B.sch		Sheet 1 of 3	



EDA302R1-SCH-B.pdf

		ALTERA Cyclone V E UPGA324 USB-FPGA board						
				DOC. No.	EDA-302			
Date:	2013/12/16	16:13:13	File:	IOAB.sch	Sheet	2	of	3

V50CN	V50CN
V33CN	V33CN
V50USB	V50USB
V33A	V33A
V25	V25
V11	V11
GND	GND



**HUMAN DATA**

**HuMANDATA LTD.**  
**OSAKA JAPAN**  
[www.hdl.co.jp/en/](http://www.hdl.co.jp/en/) (Global)  
[www.hdl.co.jp/](http://www.hdl.co.jp/) (Japan)

**ALTERA Cyclone V E UBG324 USB-FPGA board**

DOC. No.	EDA-302	<b>B</b>
----------	---------	----------

Date: 2013/12/16      16:13:13      File: USB\_CFG.sch      Sheet 3 of 3