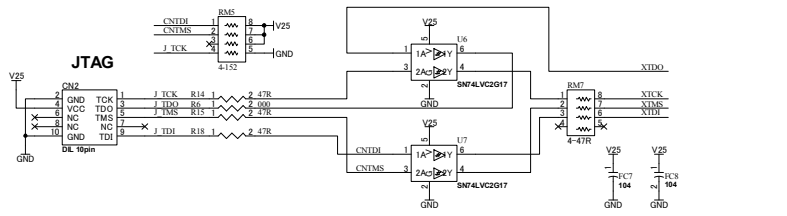
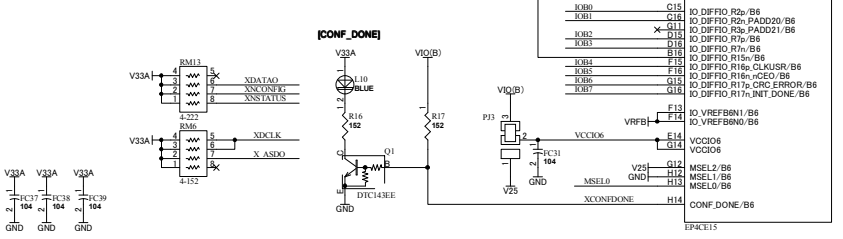
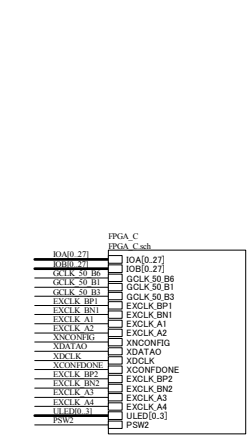
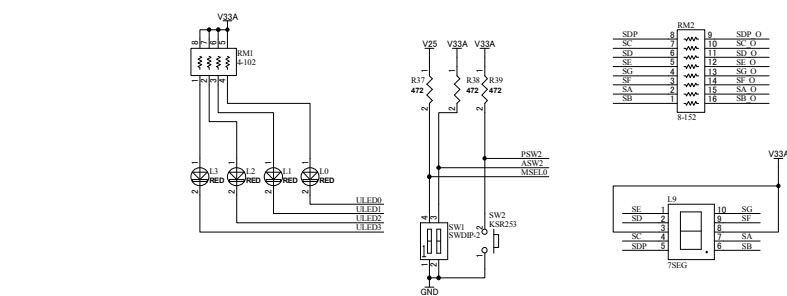
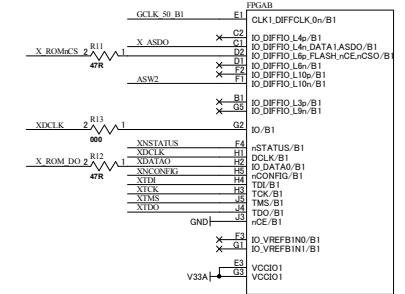
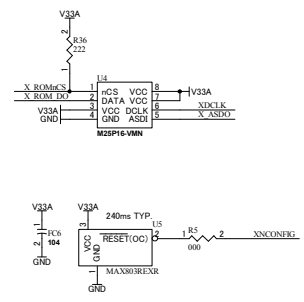
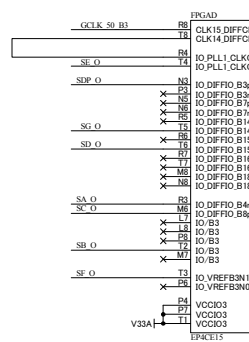
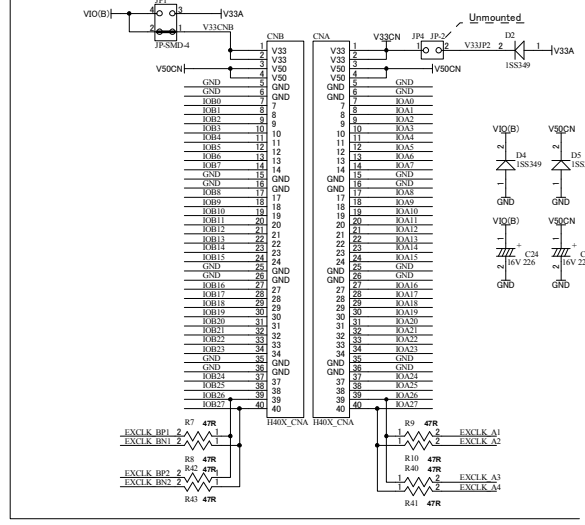
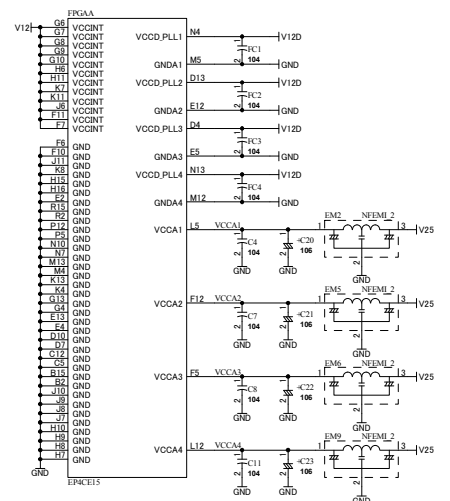
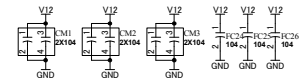
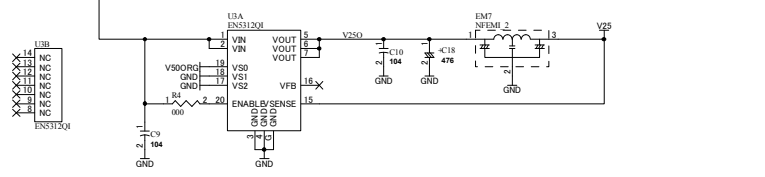
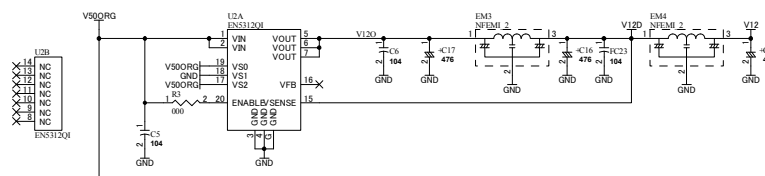
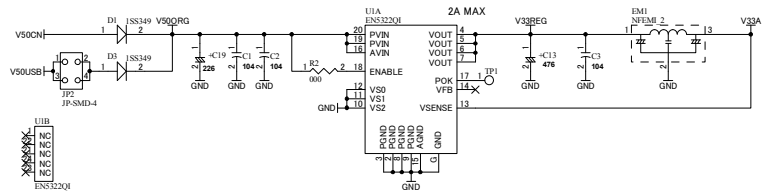
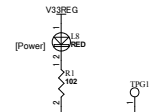


V50CN	V50N
V33CN	V33N
V50USB	V50USB
V50ORG	V50ORG
V33A	V33A
V25	V25
V120	V120
V12	V12
GND	GND



Title: ALTERA Cyclone IV E F256 USB-FPGA board			
DOC No: EDA-301	C1	Date: 22-Jun-2015	10:10:19
File: EDA301C.sch		Sheet: 1 / 2	

