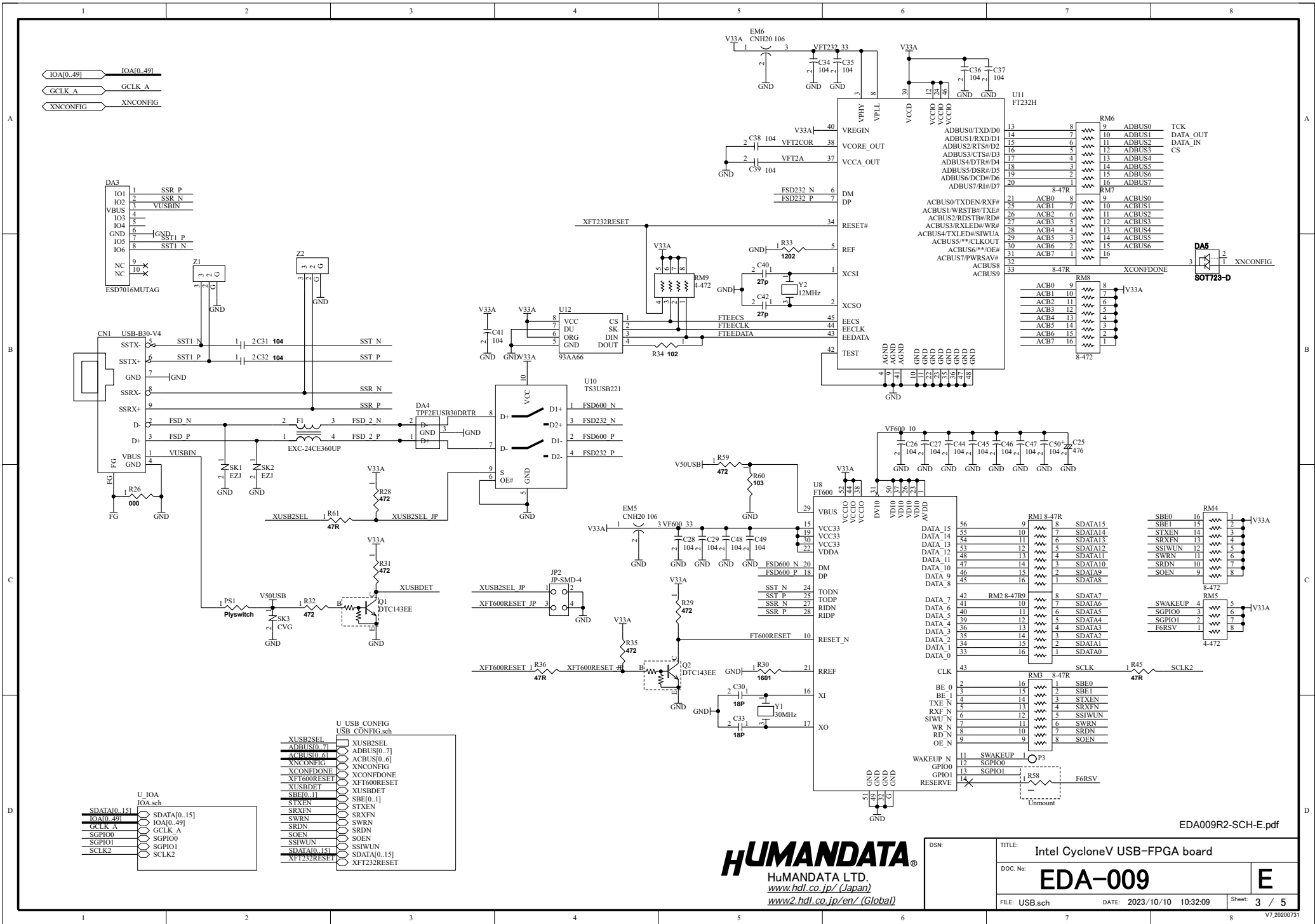


EDA009R2-SCH-E.pdf

**HUMAN DATA**  
 HuMANDATA LTD.  
[www.hdl.co.jp/](http://www.hdl.co.jp/) (Japan)  
[www2.hdl.co.jp/en/](http://www2.hdl.co.jp/en/) (Global)

DSN:	TITLE: Intel CycloneV USB-FPGA board	<b>E</b>
DOC. No:	<b>EDA-009</b>	
FILE: EDA009E.sch	DATE: 2023/10/10 10:32:09	Sheet: 1 / 5

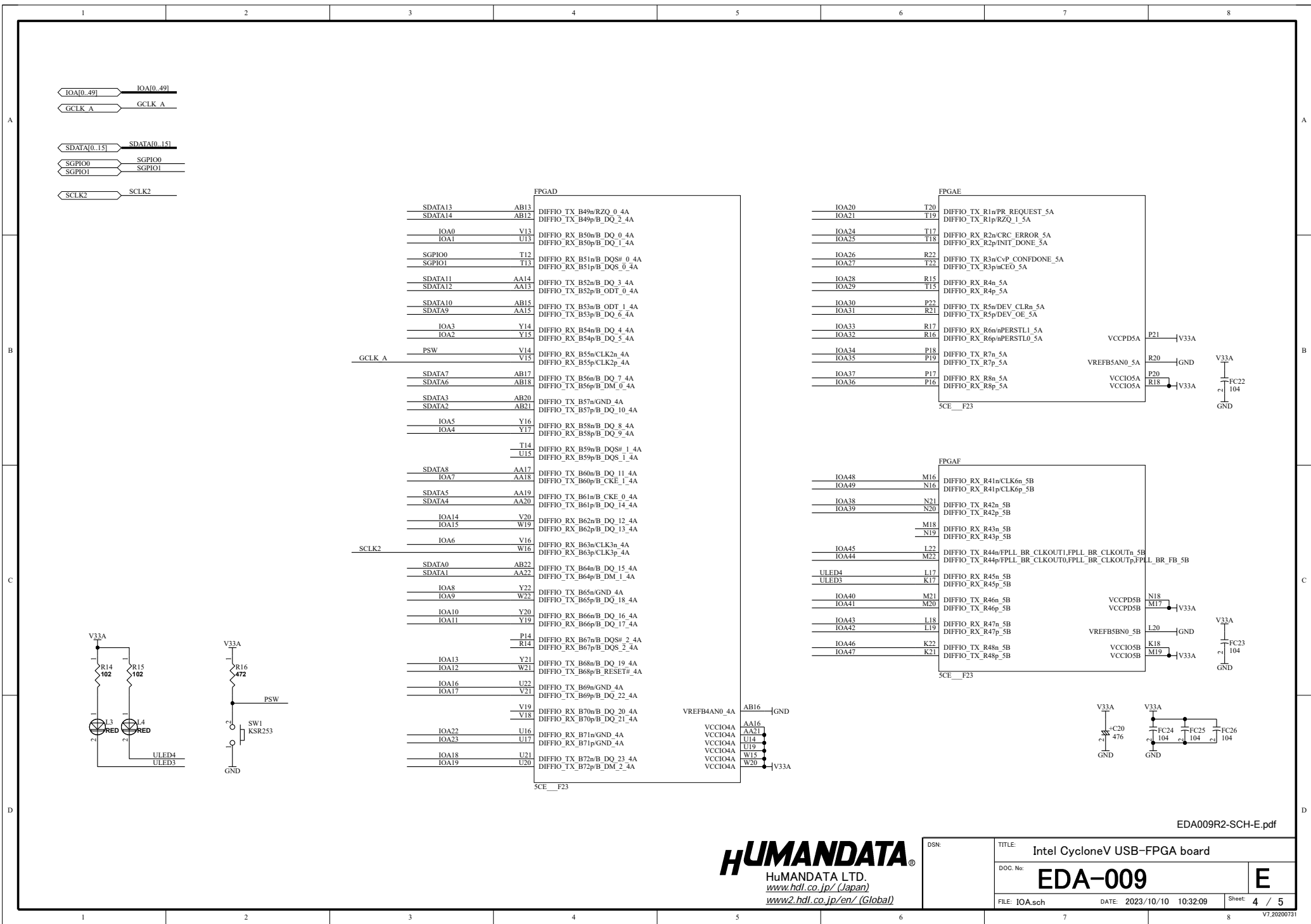




EDA009R2-SCH-E.pdf

**HUMAN DATA**  
 HuMANDATA LTD.  
[www.hdl.co.jp/ \(Japan\)](http://www.hdl.co.jp/)  
[www2.hdl.co.jp/en/ \(Global\)](http://www2.hdl.co.jp/en/)

DSN:	TITLE: Intel CycloneV USB-FPGA board	<b>E</b>
DOC. No:	<b>EDA-009</b>	
FILE: USB.sch	DATE: 2023/10/10 10:32:09	Sheet: 3 / 5

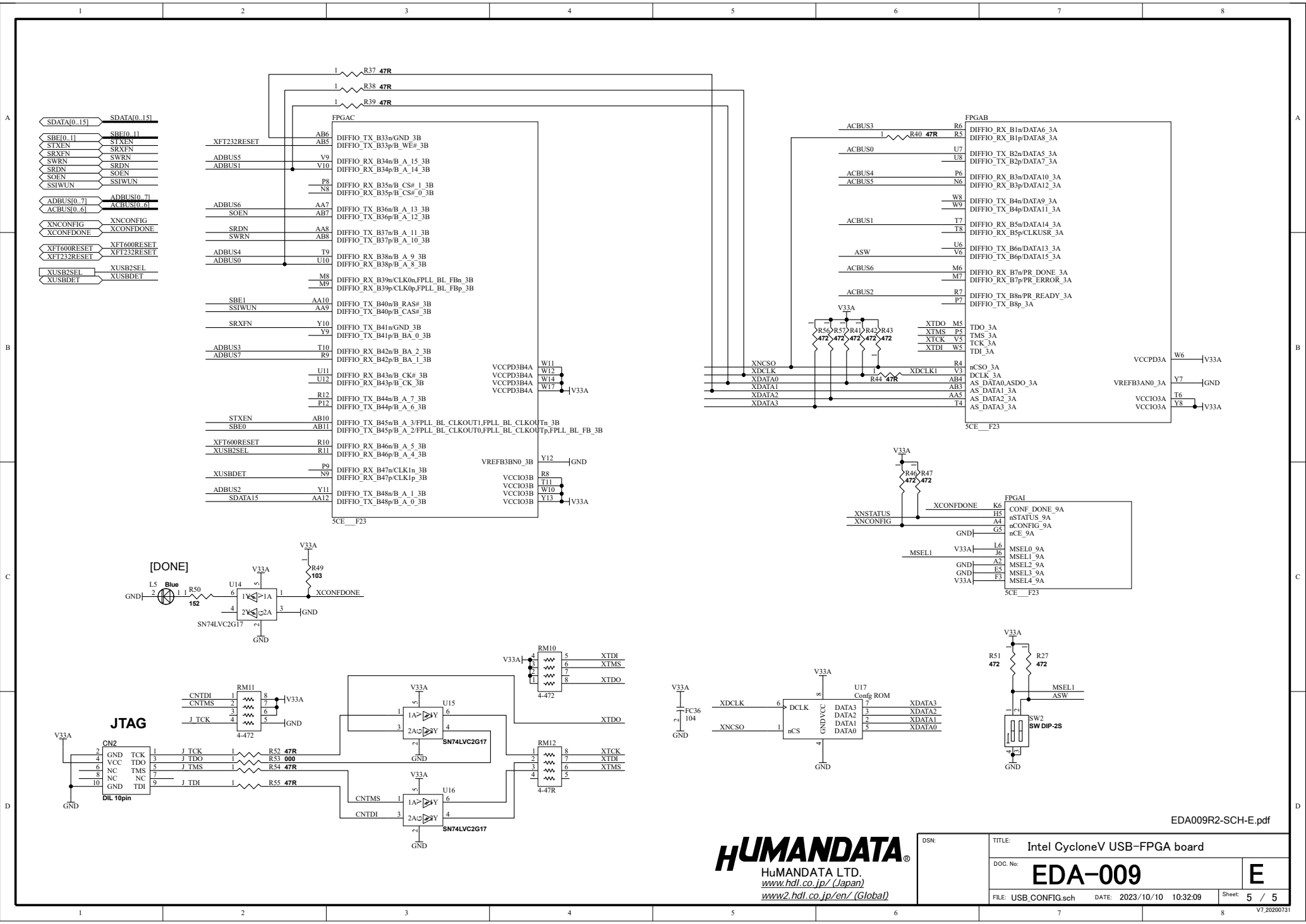


EDA009R2-SCH-E.pdf

**HUMAN DATA**  
 HUMAN DATA LTD.  
[www.hdl.co.jp/ \(Japan\)](http://www.hdl.co.jp/)  
[www2.hdl.co.jp/en/ \(Global\)](http://www2.hdl.co.jp/en/ (Global))

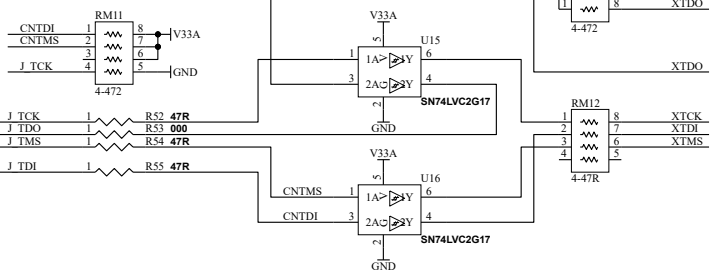
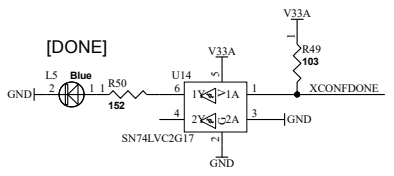
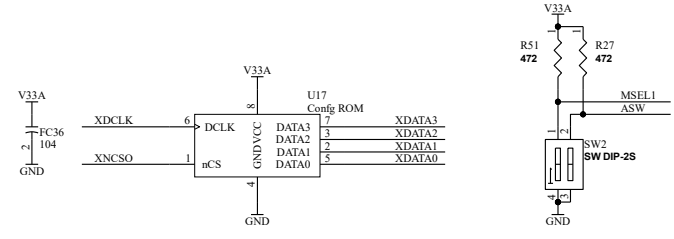
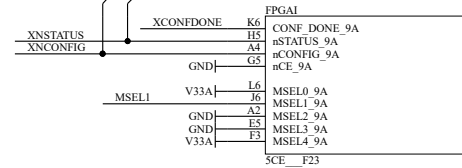
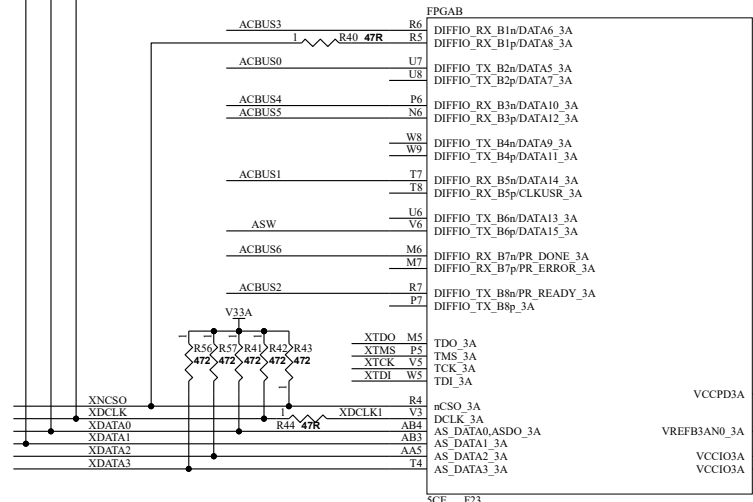
DSN:	TITLE: Intel CycloneV USB-FPGA board
DOC. No:	<b>EDA-009</b>
FILE: IOA.sch	DATE: 2023/10/10 10:32:09
Sheet: 4 / 5	<b>E</b>

V7\_20200731



SDATA[0..15]	SDATA[0..15]
SBE[0..1]	SBE[0..1]
STXEN	SRXFN
SRXFN	SRXFN
SWRN	SRDN
SRDN	SRDN
SOEN	SSIWUN
SSIWUN	SSIWUN
ADBUS[0..7]	ADBUS[0..7]
ACBUS[0..6]	ACBUS[0..6]
XNCONFIG	XNCONFONE
XNCONFONE	XNCONFONE
XFT600RESET	XFT600RESET
XFT232RESET	XFT232RESET
XUSB2SEL	XUSB2SEL
XUSBDET	XUSBDET

XFT232RESET	AB6	DIFFIO_TX_B33n/GND_3B
ADBUS5	AB5	DIFFIO_TX_B33p/B_WE#_3B
ADBUS1	V9	DIFFIO_RX_B34n/B_A_15_3B
	V10	DIFFIO_RX_B34p/B_A_14_3B
	P8	DIFFIO_RX_B35n/B_CS#_1_3B
	N8	DIFFIO_RX_B35p/B_CS#_0_3B
ADBUS6	AA7	DIFFIO_TX_B36n/B_A_13_3B
SOEN	AB7	DIFFIO_TX_B36p/B_A_12_3B
SRDN	AA8	DIFFIO_TX_B37n/B_A_11_3B
SWRN	AB8	DIFFIO_TX_B37p/B_A_10_3B
ADBUS4	T9	DIFFIO_RX_B38n/B_A_9_3B
ADBUS0	U10	DIFFIO_RX_B38p/B_A_8_3B
	M8	DIFFIO_RX_B39n/CLK0n/FPLL_BL_FBn_3B
	M9	DIFFIO_RX_B39p/CLK0p/FPLL_BL_FBp_3B
SBE1	AA10	DIFFIO_TX_B40n/B_RAS#_3B
SSIWUN	AA9	DIFFIO_TX_B40p/B_CAS#_3B
SRXFN	Y10	DIFFIO_TX_B41n/GND_3B
	V9	DIFFIO_TX_B41p/B_BA_0_3B
ADBUS3	T10	DIFFIO_RX_B42n/B_BA_2_3B
ADBUS7	R9	DIFFIO_RX_B42p/B_BA_1_3B
	U11	DIFFIO_RX_B43n/B_CK#_3B
	U12	DIFFIO_RX_B43p/B_CK_3B
	R12	DIFFIO_TX_B44n/B_A_7_3B
	P12	DIFFIO_TX_B44p/B_A_6_3B
STXEN	AB10	DIFFIO_TX_B45n/B_A_3/FPLL_BL_CLKOUT1/FPLL_BL_CLKOUTn_3B
SBE0	AB11	DIFFIO_TX_B45p/B_A_2/FPLL_BL_CLKOUT0/FPLL_BL_CLKOUTp_3B
XFT600RESET	R10	DIFFIO_RX_B46n/B_A_5_3B
XUSB2SEL	R11	DIFFIO_RX_B46p/B_A_4_3B
XUSBDET	P9	DIFFIO_RX_B47n/CLK1n_3B
	N9	DIFFIO_RX_B47p/CLK1p_3B
ADBUS2	Y11	DIFFIO_TX_B48n/B_A_1_3B
SDATA15	AA12	DIFFIO_TX_B48p/B_A_0_3B



**HUMAN DATA**<sup>®</sup>

HUMAN DATA LTD.  
www.hdl.co.jp / (Japan)  
www2.hdl.co.jp/en / (Global)

DSN:	TITLE: Intel CycloneV USB-FPGA board
DOC. No:	<b>EDA-009</b>
FILE: USB_CONFIG.sch	DATE: 2023/10/10 10:32:09
Sheet: 5 / 5	<b>E</b>

EDA009R2-SCH-E.pdf