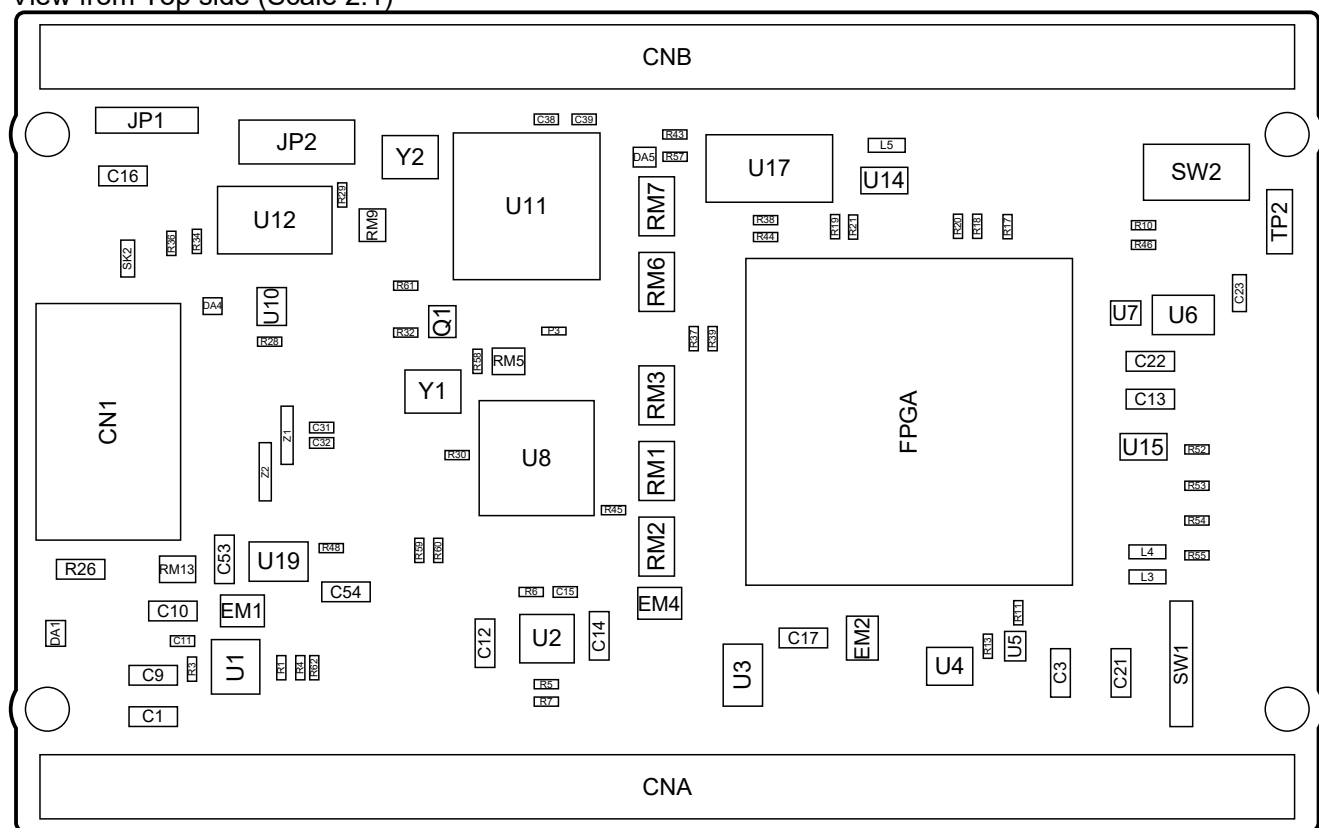


1 2 3 4 5 6 7 8

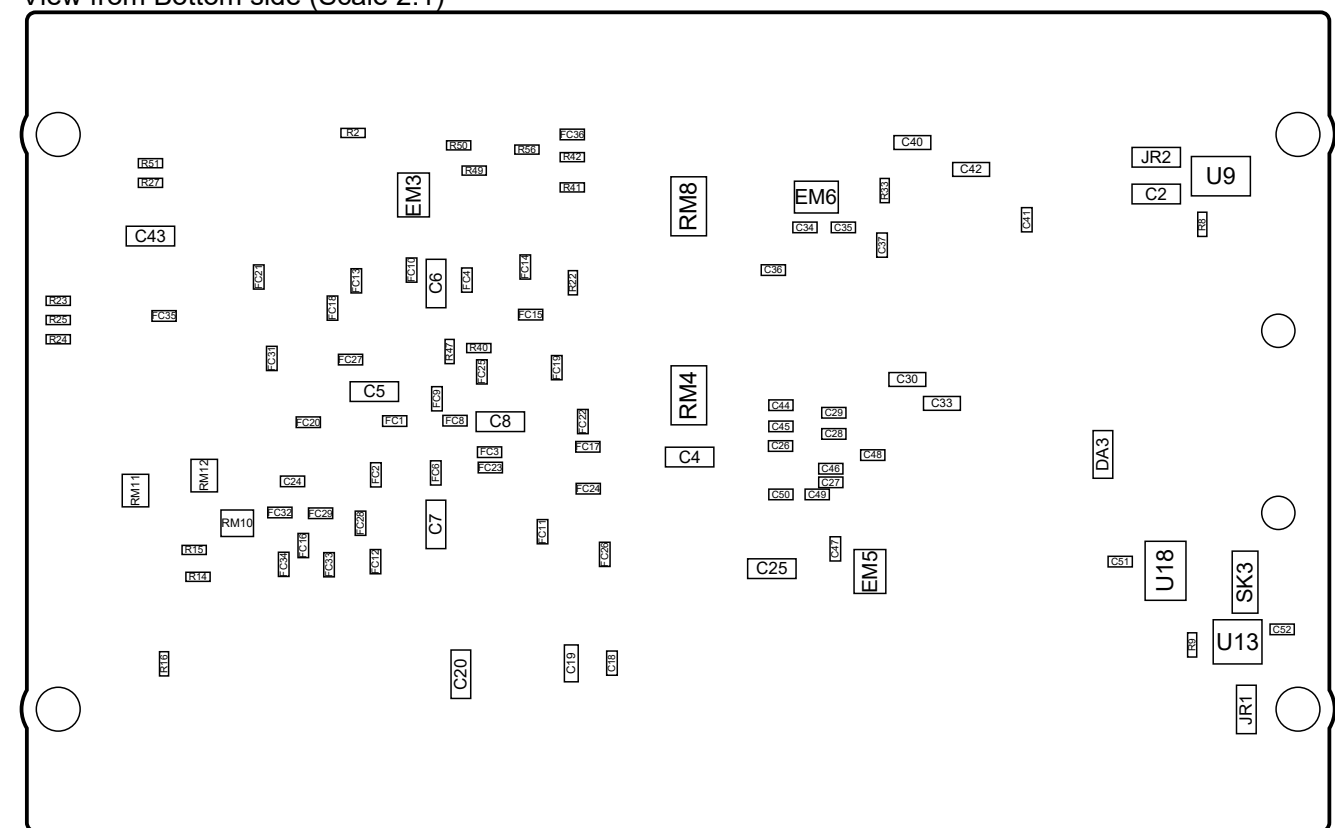
A

A

View from Top side (Scale 2:1)



View from Bottom side (Scale 2:1)



B

B

C

C

PCB Version : E



HuMANDATA LTD.
www.hdl.co.jp/ (Japan)
www2.hdl.co.jp/en/ (Global)

DSN	TITLE: EDA-009 PCB Drawing	
	DOC.No: PCB-EDA-009	REV B
	FILE:	DATE: 2023/09/27 Sheet: 1 / 2

1 2 3 4 5 6 7 8

D

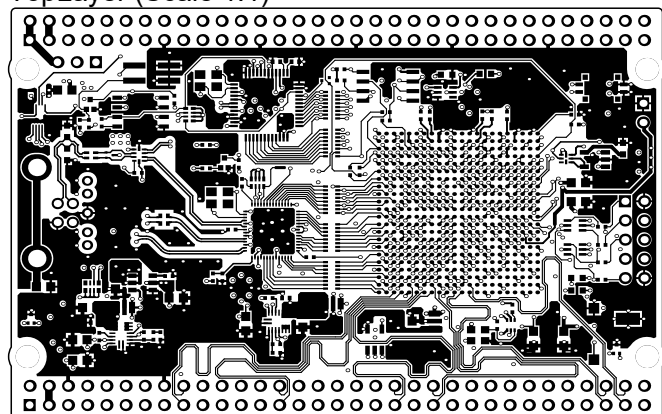
D

1 2 3 4 5 6 7 8

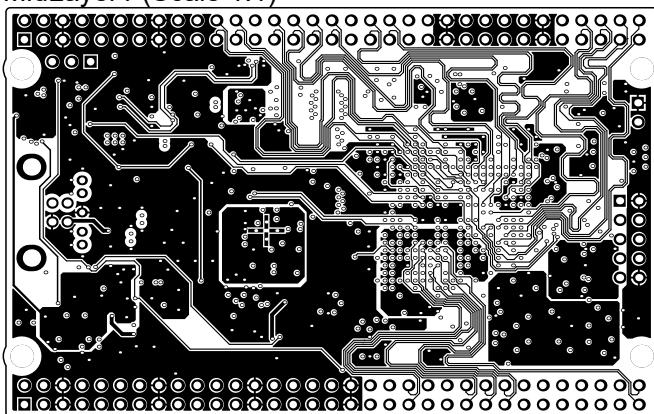
A

A

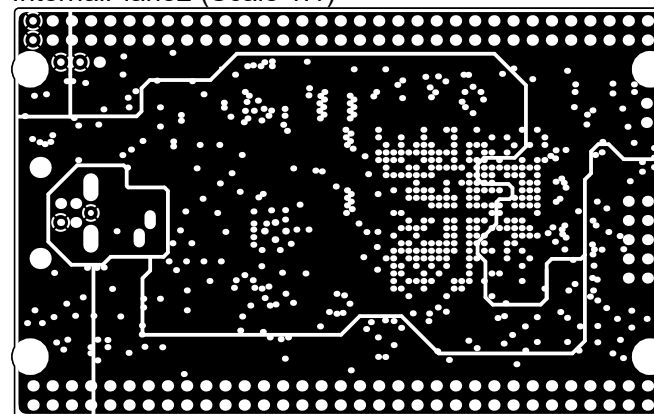
TopLayer (Scale 1:1)



MidLayer1 (Scale 1:1)



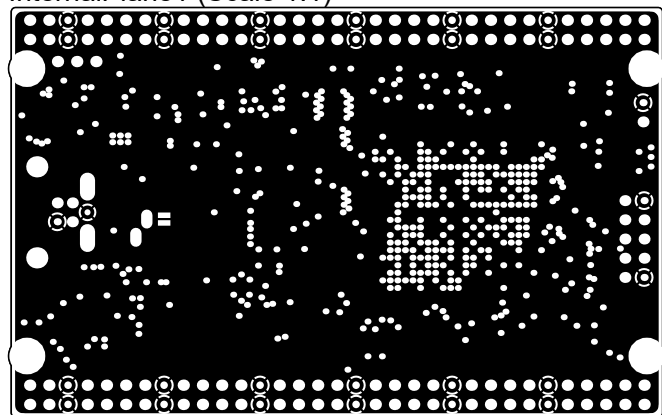
InternalPlane2 (Scale 1:1)



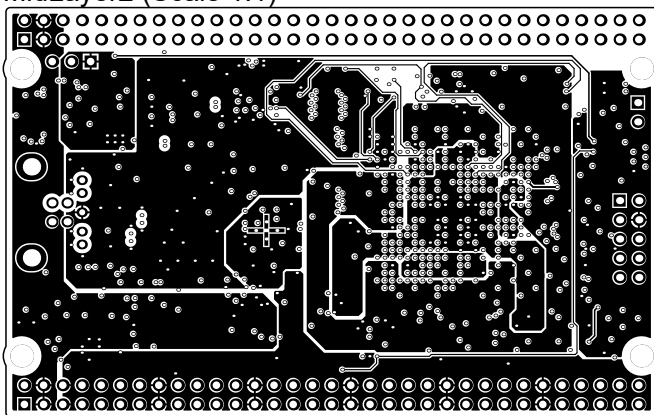
B

B

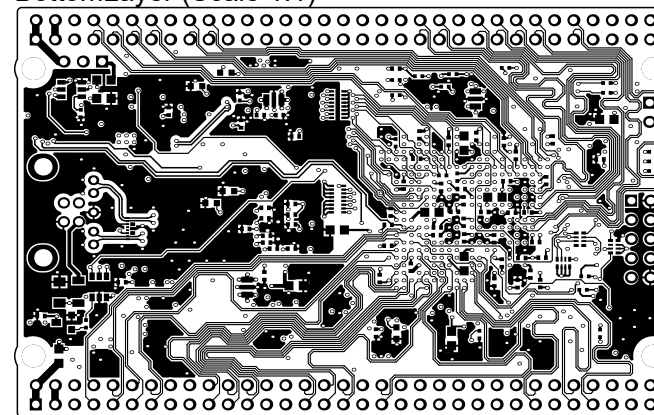
InternalPlane1 (Scale 1:1)



MidLayer2 (Scale 1:1)



BottomLayer (Scale 1:1)



C

C

PCB Version : E

D

D



HuMANDATA LTD.
www.hdl.co.jp/ (Japan)
www2.hdl.co.jp/en/ (Global)

DSN	TITLE: EDA-009 PCB Drawing	
	DOC.No: PCB-EDA-009	REV B
	FILE:	DATE: 2023/09/27 Sheet: 2 / 2

1 2 3 4 5 6 7 8