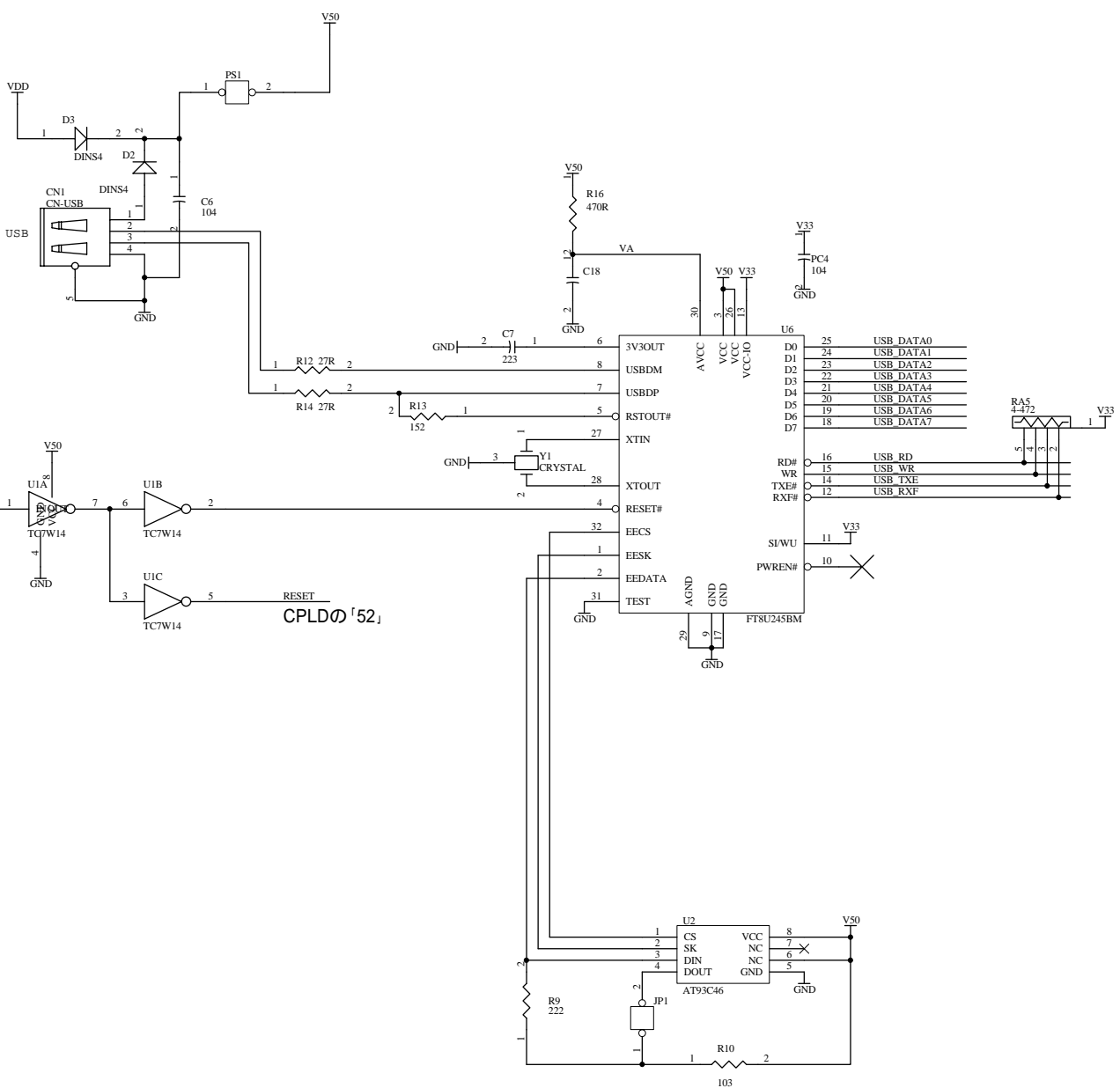
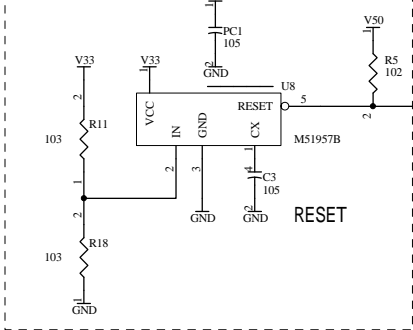
	-----		Spartan2 USB-GPIF Board	D
	HuMANDATA LTD. OSAKA JAPAN www.hdl.co.jp	DOC. No.		
Date: 9-Dec-2003 09:39:41	File: ASB_TOP.sch	Sheet 1 of 3		

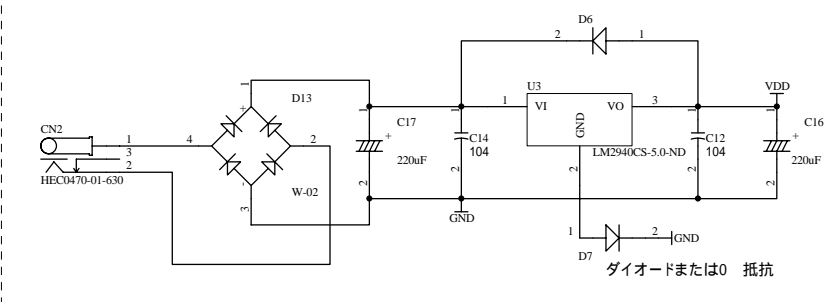
FPGA部との接続

USB_DATA[7:0]	USB_DATA[7:0]
USB_RXF	USB_RXF
USB_RD	USB_RD
USB_TXE	USB_TXE
USB_WR	USB_WR
RESET	RESET

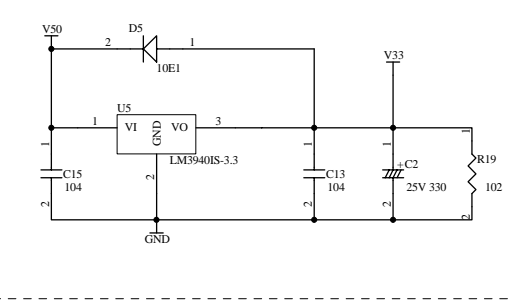
リセットIC



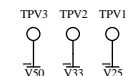
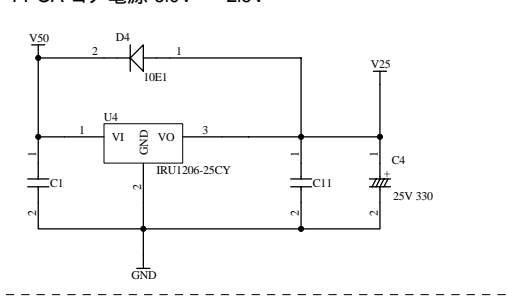
ACアダプタ 9.0V電源 5.0V



FPGA I/O電源 5.0V 3.3V



FPGA コア電源 5.0V 2.5V

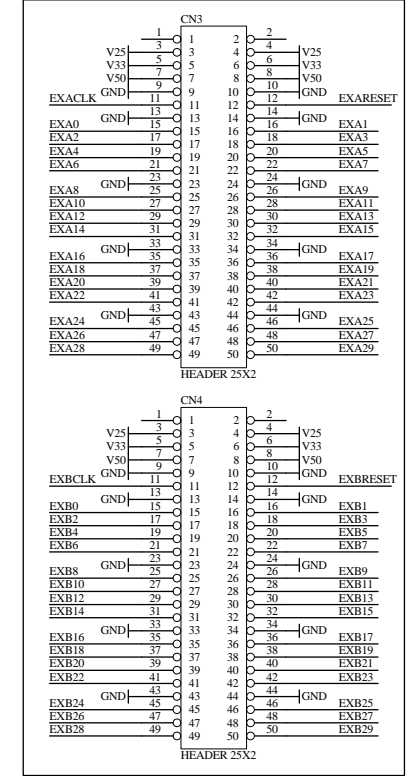


HuMANDATA LTD.
OSAKA JAPAN
www.hdl.co.jp

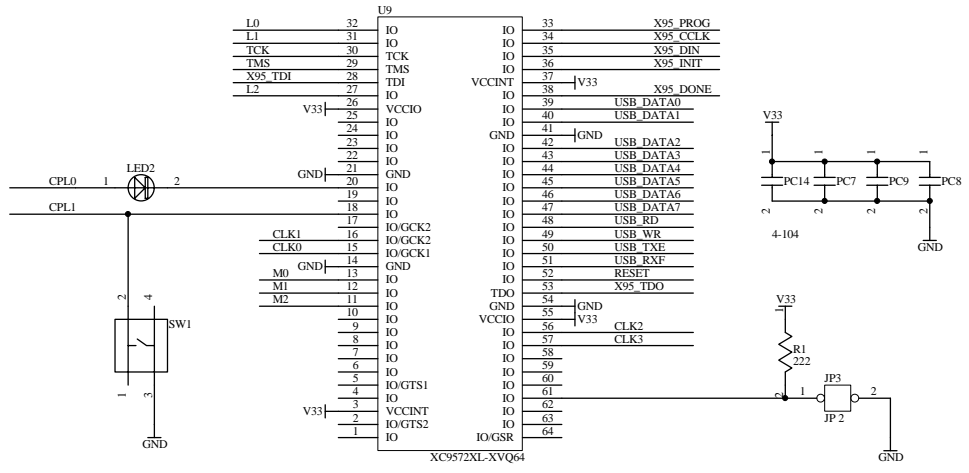
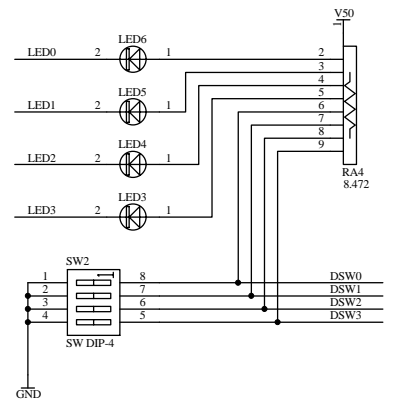
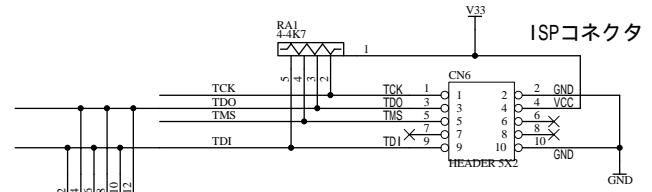
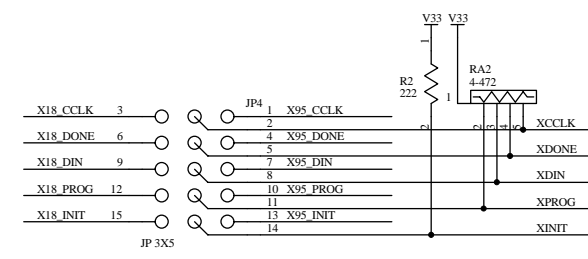
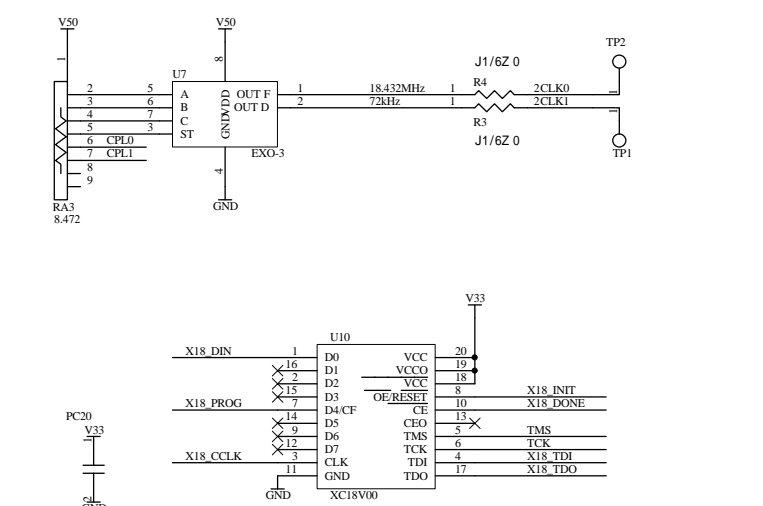
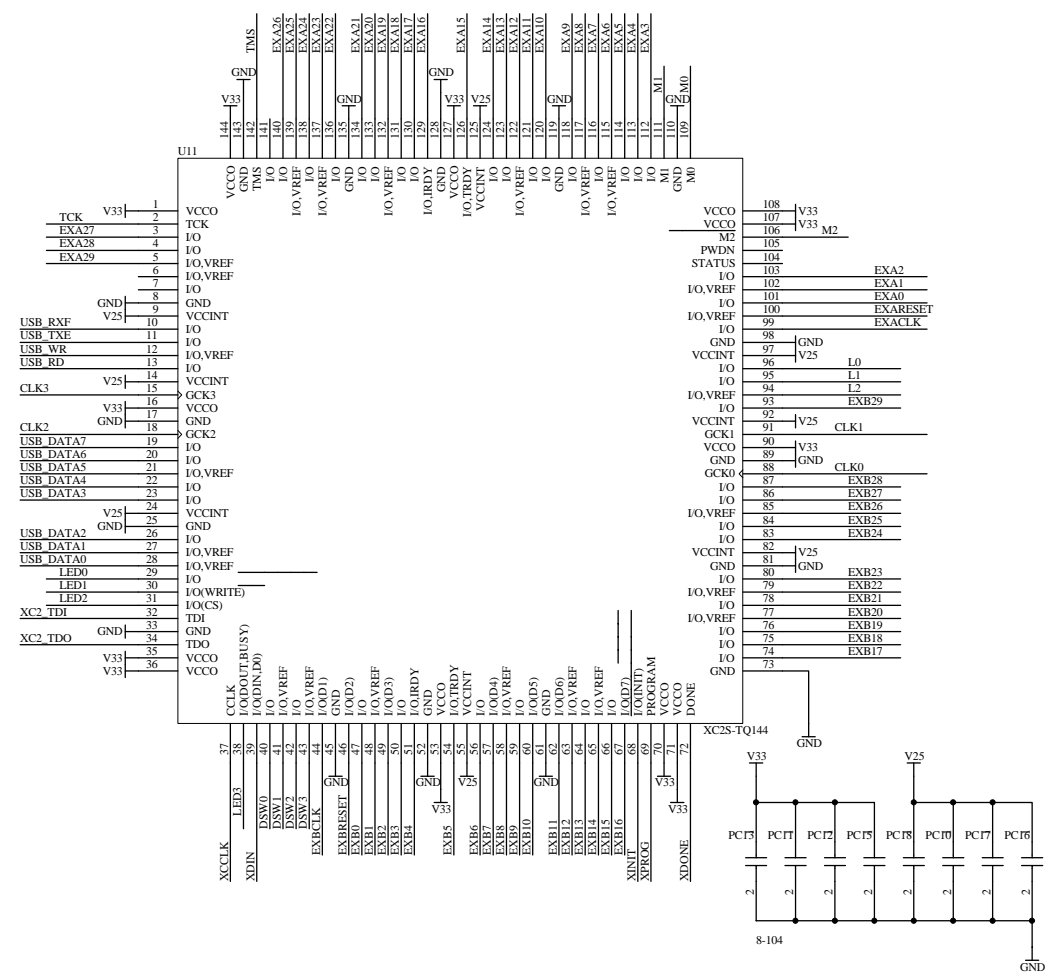
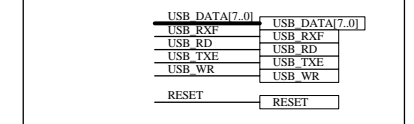
Spartan2 USB-GPIF Board

DOC. No. ASB-004 D

spare connector



USB部との接続



HuMANDATA LTD.
OSAKA JAPAN
www.hdl.co.jp

Spartan2 USB-GPIF Board

DOC. No. ASB-004 D