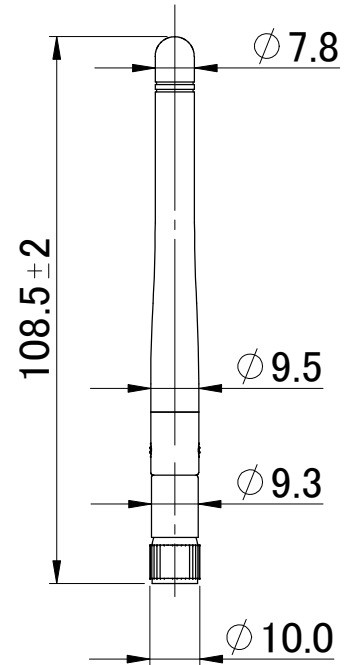
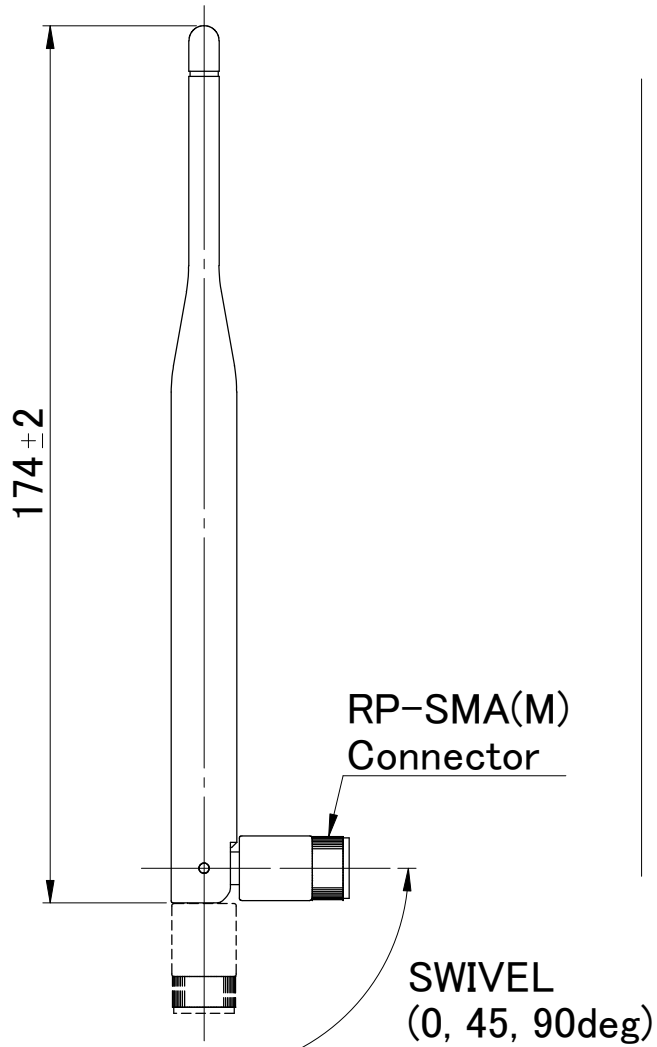
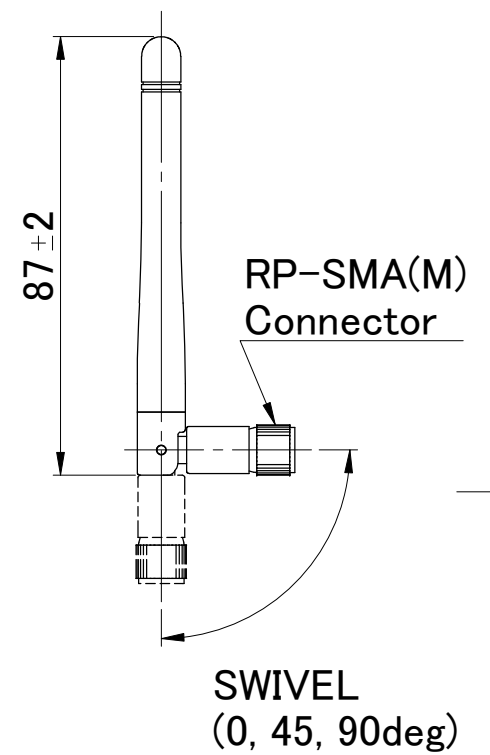


<AT-194>



<AT-108>



HUMANDATA [®]		SCALE —	UNIT mm	MATERIAL
CHK	DWG	TITLE AT-108/194 Outline Drawing		
		DRAWING NO AT108-194-DWG-A		REV A