

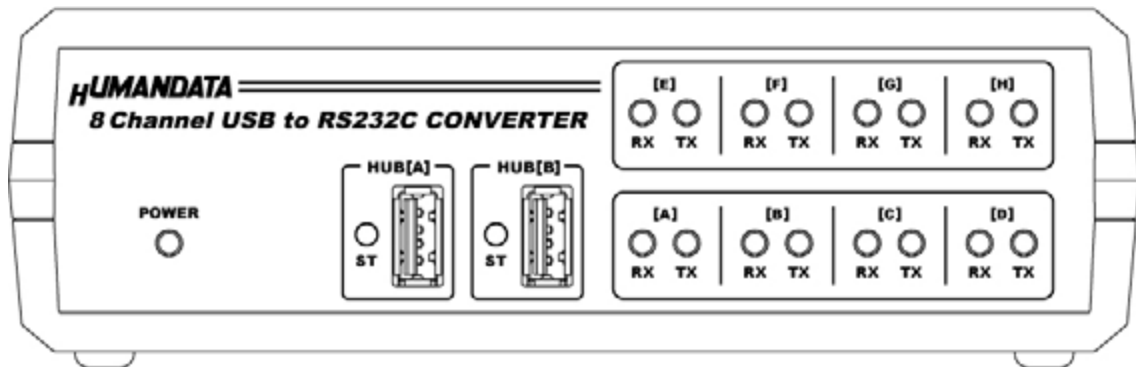
**8 Channel RS232C/USB Converter  
(Common Isolation Type)**



**USB-401**

**User's Manual**

**Ver. 1.0**







# Table of Contents

● Precautions .....	1
● Revision History .....	2
● Introduction .....	2
1. Overview .....	3
2. Power Supply .....	4
3. Block Diagram .....	4
4. Specifications .....	5
4.1. AC adapter (Japan's specifications) .....	6
4.2. Optional Accessories .....	6
5. RS232C Pin Assignment .....	7
6. Additional Documentation and User Support .....	7
7. Warranty and Compensation .....	7



● **Precautions**

 <p><b>o Not</b></p>	1	This product uses ordinary off-the-shelf electronic components, and is therefore inappropriate for use in applications that require special quality or reliability and are expected to protect human lives or prevent accidents, such as safety mechanisms in fields including space, aeronautics, medicine, and nuclear power.
	2	Do not be used underwater or in high-humidity environments.
	3	Do not be used in the presence of corrosive gases, combustible gases, or other flammable gases.
	4	Do not turn on power when circuit board surface is in contact with other metal.
	5	Do not apply voltage higher than rated voltage.

 <p><b>Attention</b></p>	6	This manual may be revised in the future without notice owing to improvements.
	7	All efforts have been made to produce the best manual possible, but if users notice an error or other problem, we ask that they notify us.
	8	Item 7 notwithstanding, HuMANDATA cannot be held liable for the consequences arising from use of this product.
	9	HuMANDATA cannot be held liable for consequences arising from using this product in a way different from the uses described herein, or from uses not shown herein.
	10	This manual, circuit diagrams, sample circuits, and other content may not be copied, reproduced, or distributed without permission.
	11	If the product emits smoke, catches fire, or becomes unusually hot, cut the power immediately.
	12	Do not install the control cables or communication cables together with the main circuit lines or power cables. In such an environment, it may result in malfunction due to noise.
	13	Be careful of static electricity.

- **Revision History**

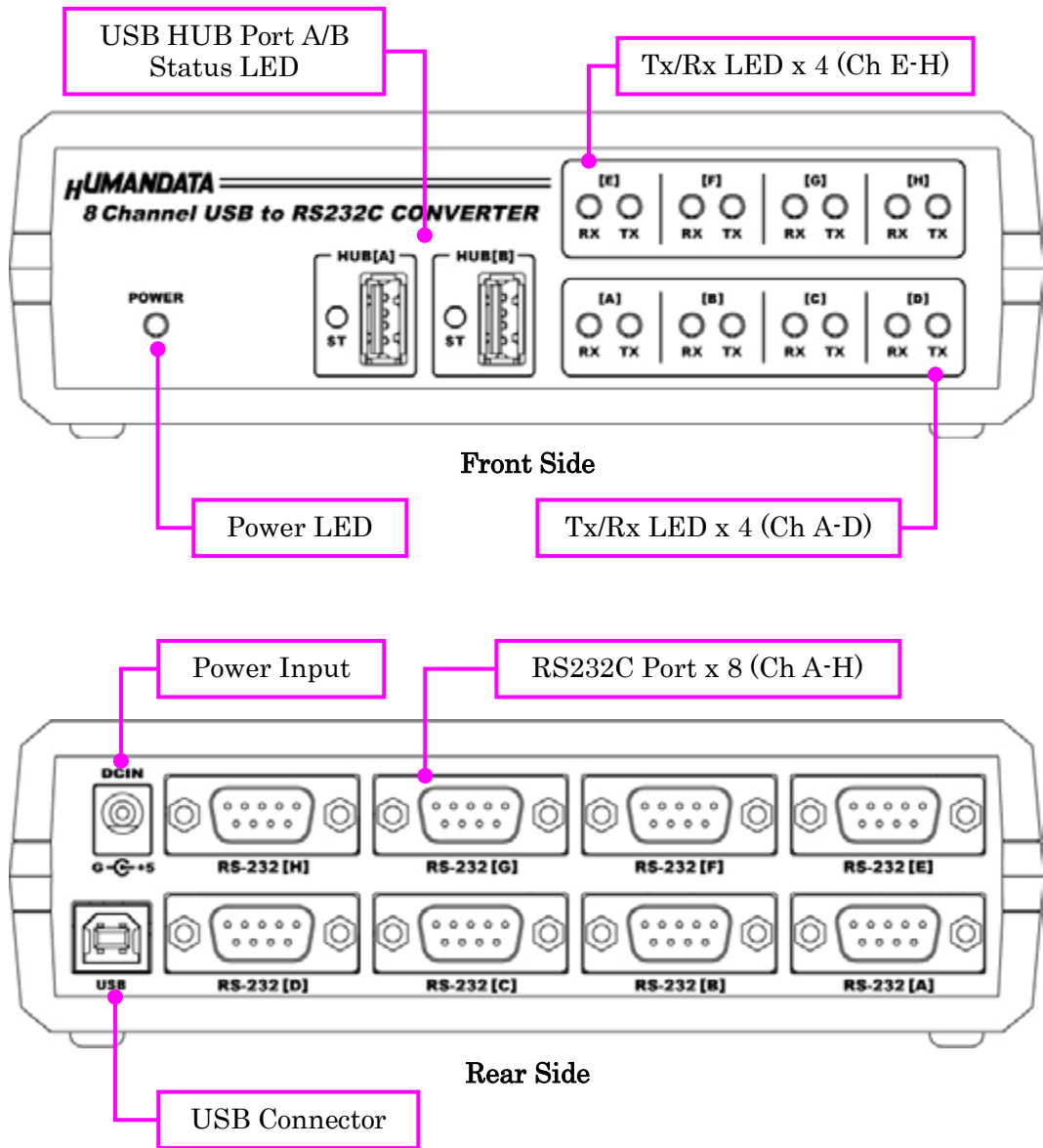
Date	Revision	Description
Jan. 17, 2017	v1.0	Initial release

- **Introduction**

Thank you very much for purchasing our product of USB-401.

USB-401 is an 8 channel USB to RS-232C converter that isolated between each RS-232C channel and 2 USB ports. Also, the 2 port USB connectors have a HUB function.

# 1. Overview



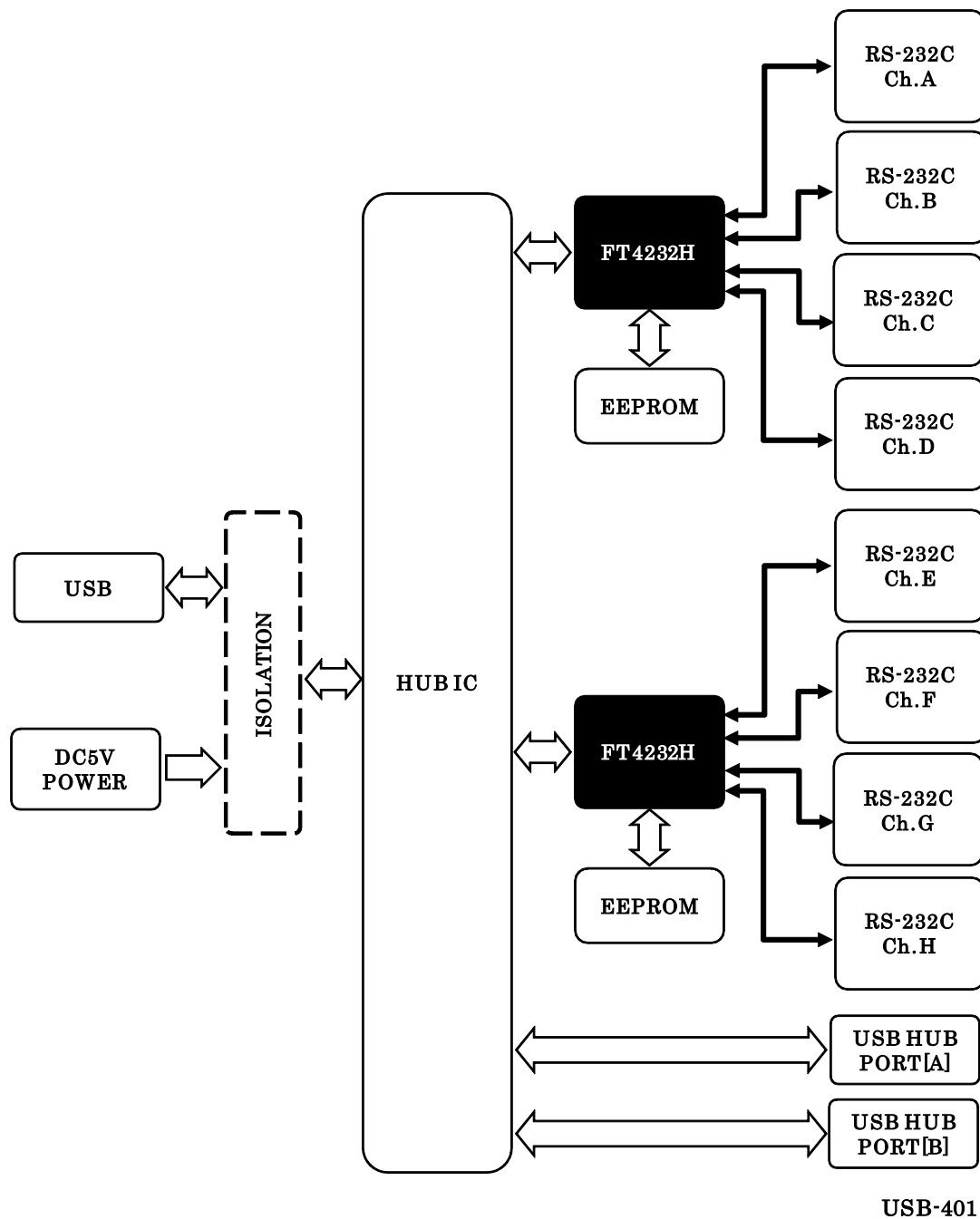
### LED Function

	Name	Function
RX	Receiver LED (Red)	Turn on when RS232C port receive data
TX	Transmitter LED (Red)	Turn on when RS232C port transmit data
ST	USB Hub Port Status LED (Green/Red)	Green : Turn on when the port can be used as USB Hub port Red : Turn on when over current. To reset USB-401, please remove the device and USB cable. Also, when the power on, this LED lights red for operation check.

## 2. Power Supply

USB-401 is powered through a USB port (Bus-powered) or an AC adapter (Self-powered). An AC adapter has priority when both are applied.

## 3. Block Diagram



Between USB port, RS-232C and USB hub port is isolated



## 4. Specifications

Item	Description	Remarks
<b>Model</b>	USB-401	
<b>Power</b>	DC 5V / Less than 500mA Supplied through a USB port (Bus-powered) or AC adapter (Self-powered)	Recommend the use of an AC adapter for stably supply.
<b>HOST interface</b>	USB 2.0 Compliant (High Speed is not supported)	USB 1.1 compatible ESD protection
<b>HOST Connector</b>	USB B type (Female)	
<b>LSI</b>	FT4232H x 2	
<b>Isolation Method</b>	Bus isolation	
<b>Isolation Protection</b>	Over 2500VDC	Designed value
<b>Input/Output Interface</b>	RS232C	
<b>Number of RS232C Port</b>	8	
<b>RS232C Connector</b>	D-Sub 9 pin (Male) #4-40 UNC	M2.6 screws are also included in the package
<b>Communication Method</b>	Asynchronous Serial Communication	
<b>Baud Rate</b>	300 bps to 1 Mbps	Custom baud rates are supported
<b>Data Bits</b>	7 or 8 bit	
<b>Stop Bits</b>	1 or 2 bit	
<b>Parity</b>	Even, Odd or No-parity	
<b>FIFO RX Buffer Size</b>	2K bytes/ch	
<b>FIFO TX Buffer Size</b>	2K bytes/ch	
<b>Number of USB Hub Port</b>	2	
<b>USB Hub Port Connector</b>	USB A type (Female) x 2	
<b>Supports OS</b>	Windows 10/8.1/8/7/Vista/XP	
<b>Operating Ambient Temp.</b>	-20 to 60 °C (-4 to 140 °F)	No condensation permitted
<b>Operating Ambient Humi.</b>	30 to 85 %RH	
<b>Storage Ambient Temp.</b>	-20 to 60 °C (-4 to 140 °F)	
<b>Storage Ambient Humi.</b>	30 to 85 %RH	
<b>Noise Tolerance</b>	Not defined	
<b>Standard</b>	Not defined	

<b>Weight</b>	Approx. 400 [g]	Only main body
<b>Dimensions</b>	166 x 81.2 x 50 [mm] (6.535" x 3.197" x 1.969")	Without projections

\* There is a case to be changed to the parts of the compatibility

\* Power saving function (suspend, standby, sleep and others) is not supported



#### 4.1. AC adapter (Japan's specifications)

Item	Description	Remarks
<b>Output</b>	5VDC 2.0A	
<b>Plug</b>	2.1mm inner diameter	Positive Tip
<b>Compatible DC Jack</b>	2.1mm inner diameter	
<b>Operating Ambient Temperature</b>	0 to 40 °C	No condensation permitted
<b>Operating Ambient Humidity</b>	30 to 85 % RH	
<b>Storage Ambient Temperature</b>	-20 to 80 °C	
<b>Storage Ambient Humidity</b>	10 to 95 % RH	
<b>Wire Length</b>	1.6m	
<b>Weight</b>	approx. 70 [g]	
<b>Dimensions</b>	46 x 34 x 25 [mm] 1.811" x 1.339" x 0.984"	Without projections

\* This AC adapter is attached for use mainly in Japan. If you use in the other countries, please check the specifications above and plug shape.

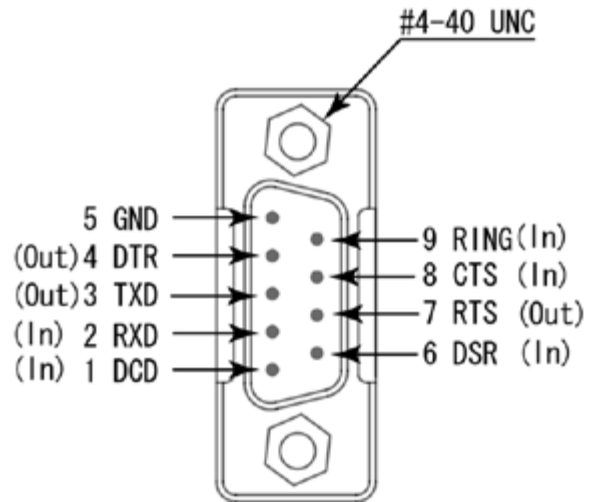
\* There may be cases that this part and specifications are changed.

#### 4.2. Optional Accessories

Model Name	Image	Description
<b>ACC-028</b>		Metal bracket type A for horizontal mounting USB series JAN : 4937920801102
<b>ACC-031</b>		Din rail attachment type B for USB series JAN : 4937920801256

## 5. RS232C Pin Assignment

Pin No	Signal	Dir.	Remarks
1	DCD	In	Data carrier detect
2	RXD	In	Receive data
3	TXD	Out	Transmit data
4	DTR	Out	Data terminal ready
5	GND	-	Signal ground
6	DSR	In	Data set ready
7	RTS	Out	Request to send
8	CTS	In	Clear to send
9	RING	In	Ring indicator
CASE	FG	-	Connect to GND



D-Sub 9pin Male

## 6. Additional Documentation and User Support

The following documents and other supports are available at

<http://www.hdl.co.jp/en/faspc/USB/usb-401>

- Device Driver
- Dimensional drawing
- ... and more.

## 7. Warranty and Compensation

Please refer to the following URL for the warranty.

<http://www.fa.hdl.co.jp/en/fa-warranty.html>

---

# 8 Channel RS232C/USB Converter (Common Isolation Type)

USB-401

## User's Manual

Ver. 1.0 ..... January 17, 2017

---

### **HuMANDATA LTD.**

Address: 1-2-10-2F, Nakahozumi, Ibaraki  
Osaka, Japan  
ZIP 567-0034

Tel: 81-72-620-2002 (Japanese)

Fax: 81-72-620-2003 (Japanese/English)

URL: <http://www.fa.hdl.co.jp> (Japan)

<http://www.fa.hdl.co.jp/en>(Global)

---