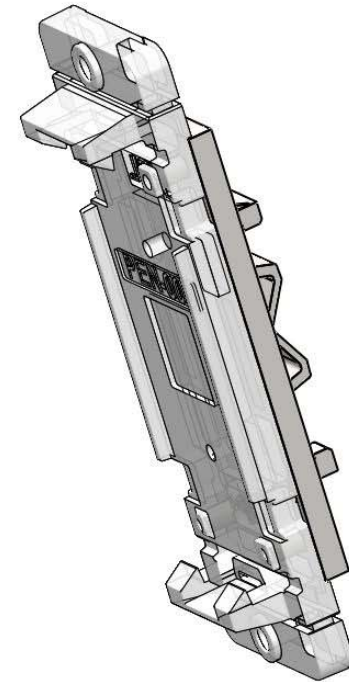
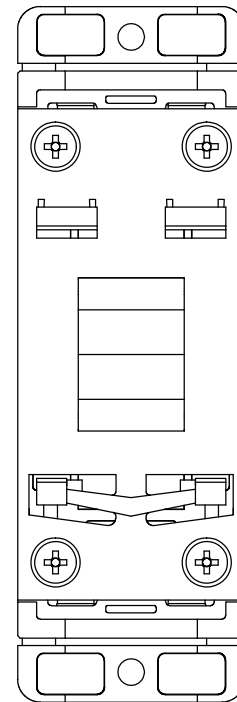
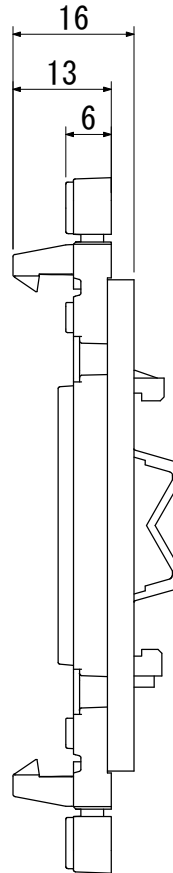
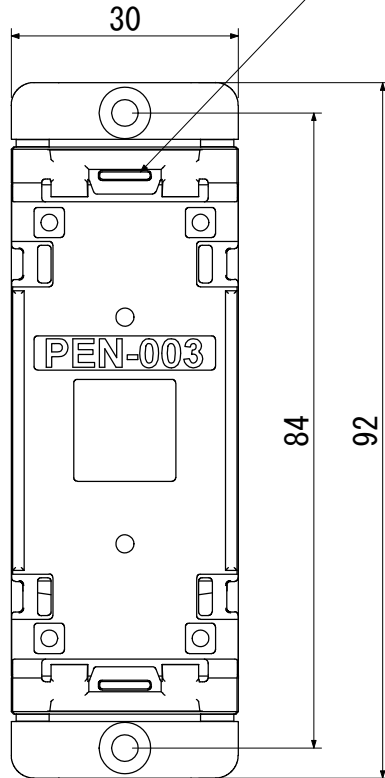



when detaching this accessory, insert a flat-head screwdriver in this part and expand the claw



HUMANDATA [®]		SCALE 1:1	UNIT mm	MATERIAL
CHK	DWG	TITLE PEN-003-DIN Outline Drawing		
		DRAWING NO PEN003DIN-R1-DWG-B		REV B