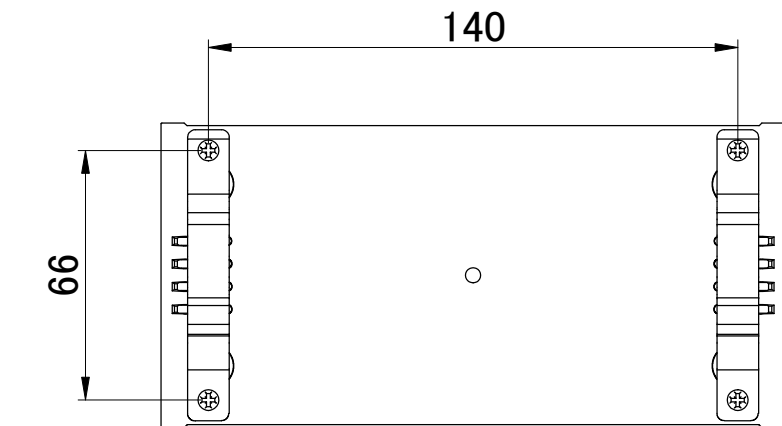
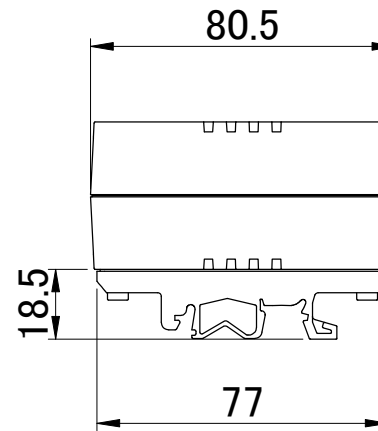
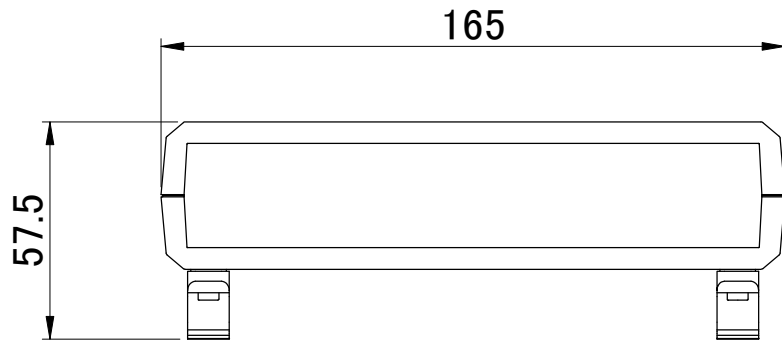
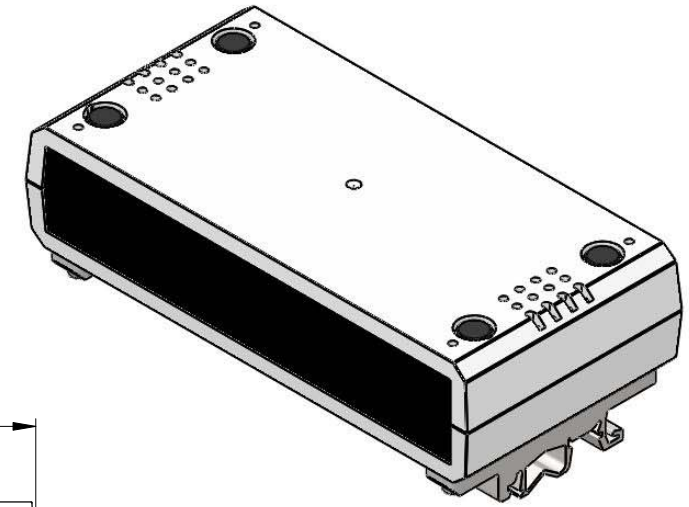
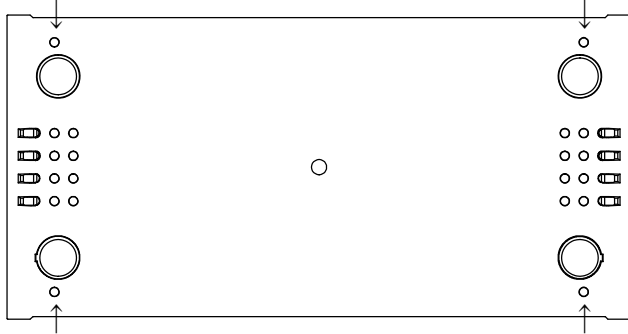


**Packing List**

DIN rail adapter (DRF80-1) x 2 pcs	material: Polypropylene
tapping screw x 5 pcs (+1, spare)	M3 x 10

<b>HUMANDATA</b> <sup>®</sup>		SCALE <b>1:1</b>	UNIT <b>mm</b>	MATERIAL
CHK	DWG	TITLE <b>ACC-048 Outline Drawing</b>		
		DRAWING NO <b>ACC048-DWG-A2</b>		REV <b>A2</b>

this adapter can be used only when there are fitting holes at four corners



overall illustration when using this adapter

<b>HUMANDATA</b> ®		SCALE <b>1:1</b>	UNIT <b>mm</b>	MATERIAL
CHK	DWG	TITLE <b>ACC-048 Outline Drawing</b>		
DRAWING NO <b>ACC048-DWG-A2</b>			REV <b>A2</b>	