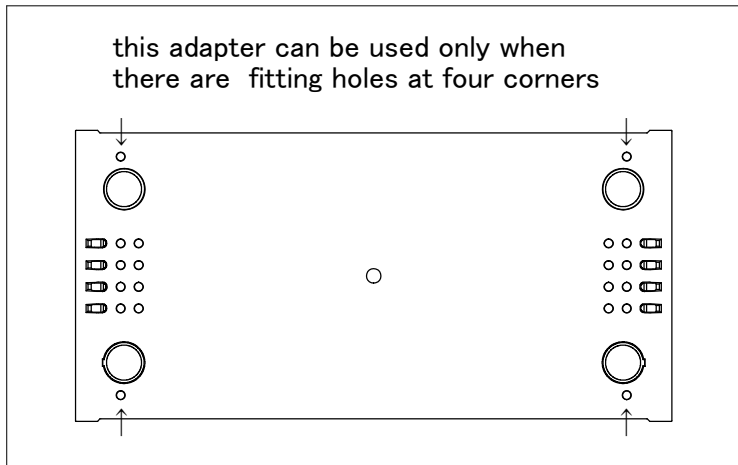
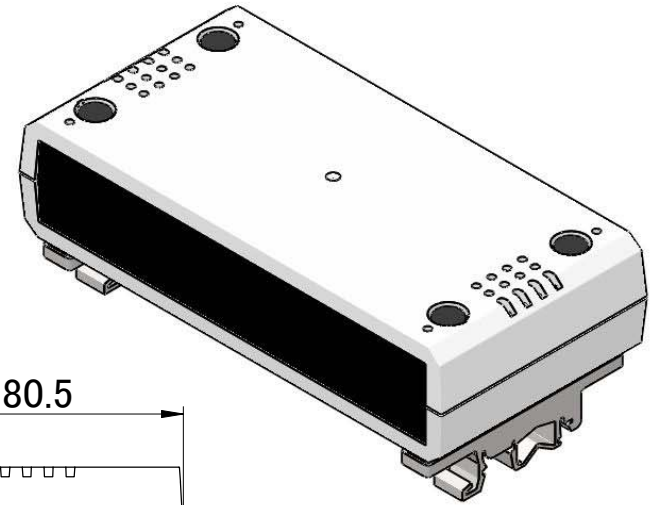
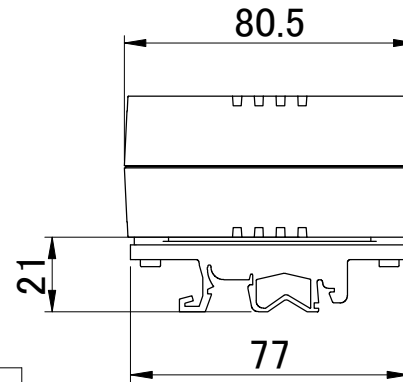
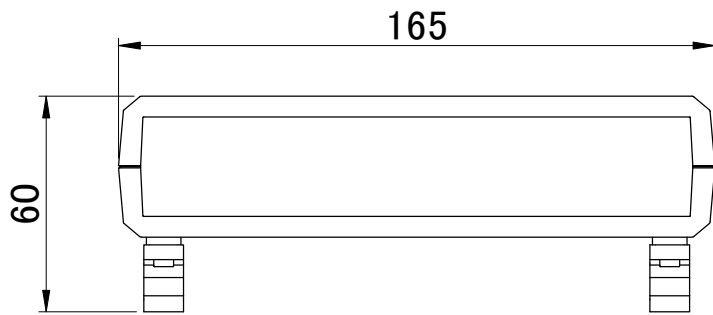
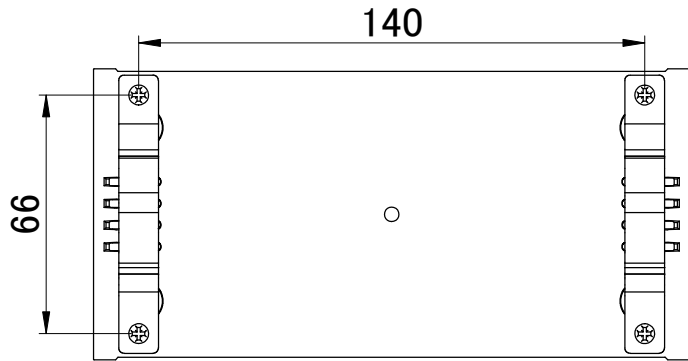


Packing List

DIN rail adapter (CKD-80) x 2 pcs	material: polyamide
tapping screw x 5 pcs (+1, spare)	M3 x 10

Polyamide will be yellow for a long period of time

HUMAN DATA		SCALE 1:1	UNIT mm	MATERIAL
CHK	DWG	TITLE ACC-031 Outline Drawing		
		DRAWING NO ACC031-DWG-A2		REV A2



overall illustration of case with this adapter

HUMAN DATA		SCALE 1:2	UNIT mm	MATERIAL
CHK	DWG	TITLE ACC-031 Outline Drawing		REV
		DRAWING NO ACC031-DWG-A2		A2

