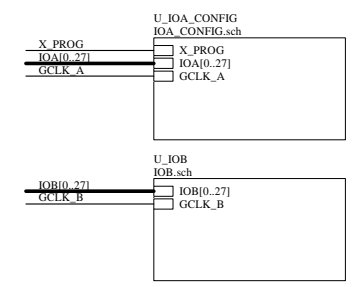
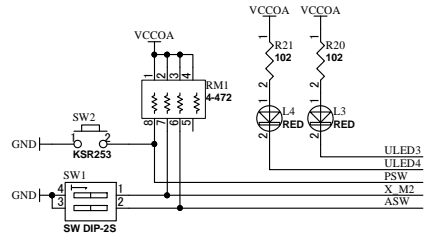
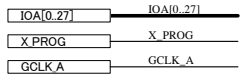


[POWER]

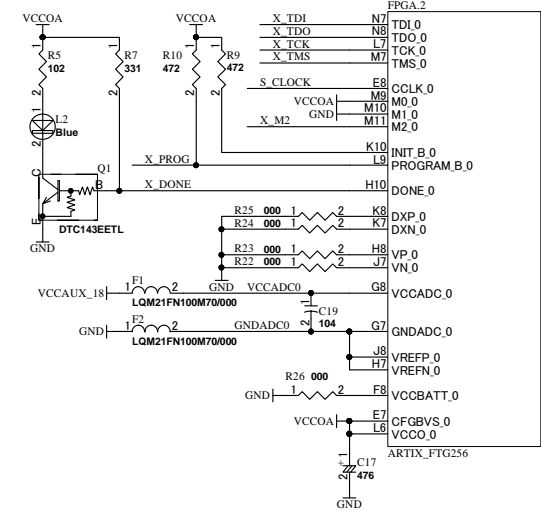
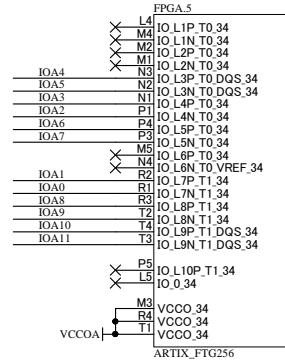
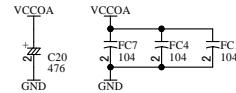
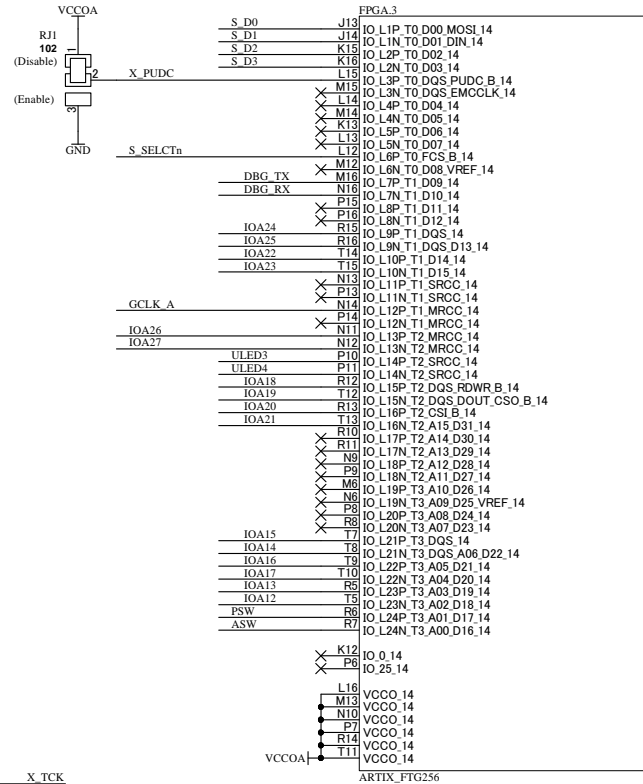
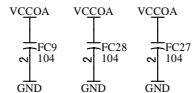
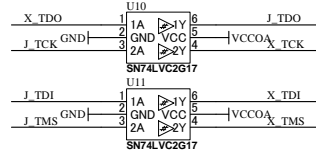
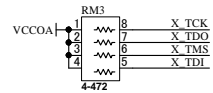
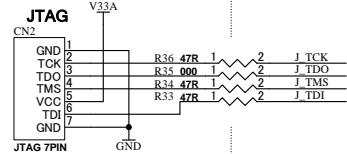
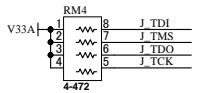
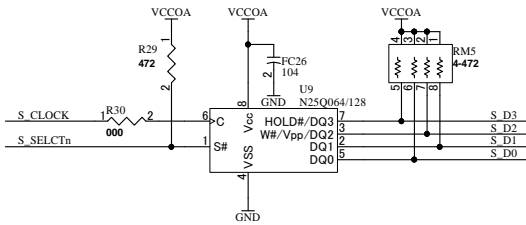
| CNA | CNB |
|-----|-----|
| 1 | 1 |
| 2 | 2 |
| 3 | 3 |
| 4 | 4 |
| 5 | 5 |
| 6 | 6 |
| 7 | 7 |
| 8 | 8 |
| 9 | 9 |
| 10 | 10 |
| 11 | 11 |
| 12 | 12 |
| 13 | 13 |
| 14 | 14 |
| 15 | 15 |
| 16 | 16 |
| 17 | 17 |
| 18 | 18 |
| 19 | 19 |
| 20 | 20 |
| 21 | 21 |
| 22 | 22 |
| 23 | 23 |
| 24 | 24 |
| 25 | 25 |
| 26 | 26 |
| 27 | 27 |
| 28 | 28 |
| 29 | 29 |
| 30 | 30 |
| 31 | 31 |
| 32 | 32 |
| 33 | 33 |
| 34 | 34 |
| 35 | 35 |
| 36 | 36 |
| 37 | 37 |
| 38 | 38 |
| 39 | 39 |
| 40 | 40 |



| | |
|-------------------|----------------------------------|
| DSN: | TITLE: ARTIX-7 FBG484 FPGA Board |
| DOC. No: | XCM-307 |
| FILE: XCM307A.sch | DATE: 2016/10/19 14:28:02 |
| Sheet: 1 / 3 | |



OFF:JTAG
ON:SPI

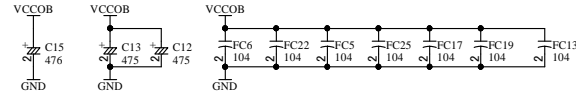
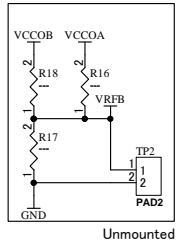
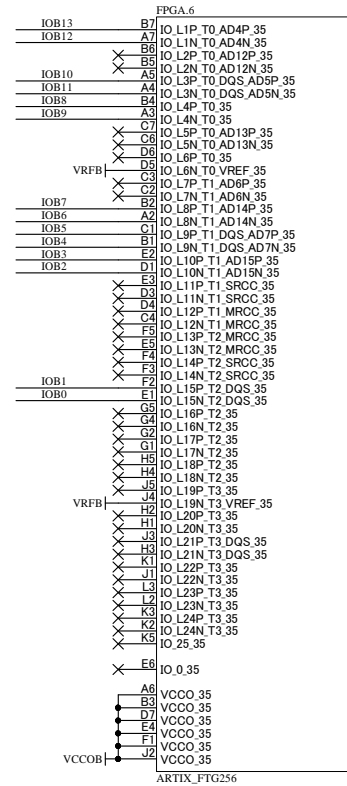
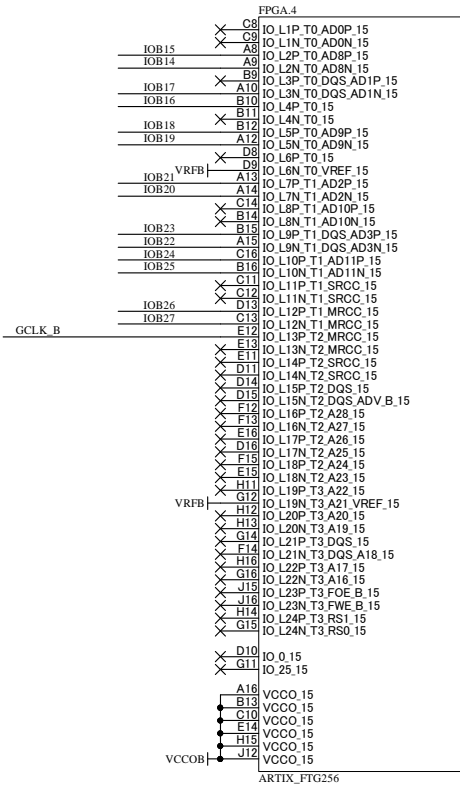
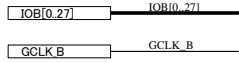


XCM307R1-SCH-A.pdf

HUMAN DATA
HuMANDATA LTD.
www.hdl.co.jp

| | |
|----------------------|----------------------------------|
| DSN: | TITLE: ARTIX-7 FBG484 FPGA Board |
| DOC. No: | XCM-307 |
| FILE: IOA_CONFIG.sch | DATE: 2016/10/19 14:28:02 |
| Sheet: 2 / 3 | A |

V5.20150107



| | |
|---------------|----------------------------------|
| DSN: | TITLE: ARTIX-7 FBG484 FPGA Board |
| DOC. No: | XCM-307 |
| FILE: IOB.sch | DATE: 2016/10/19 14:28:02 |
| Sheet: 3 / 3 | A |