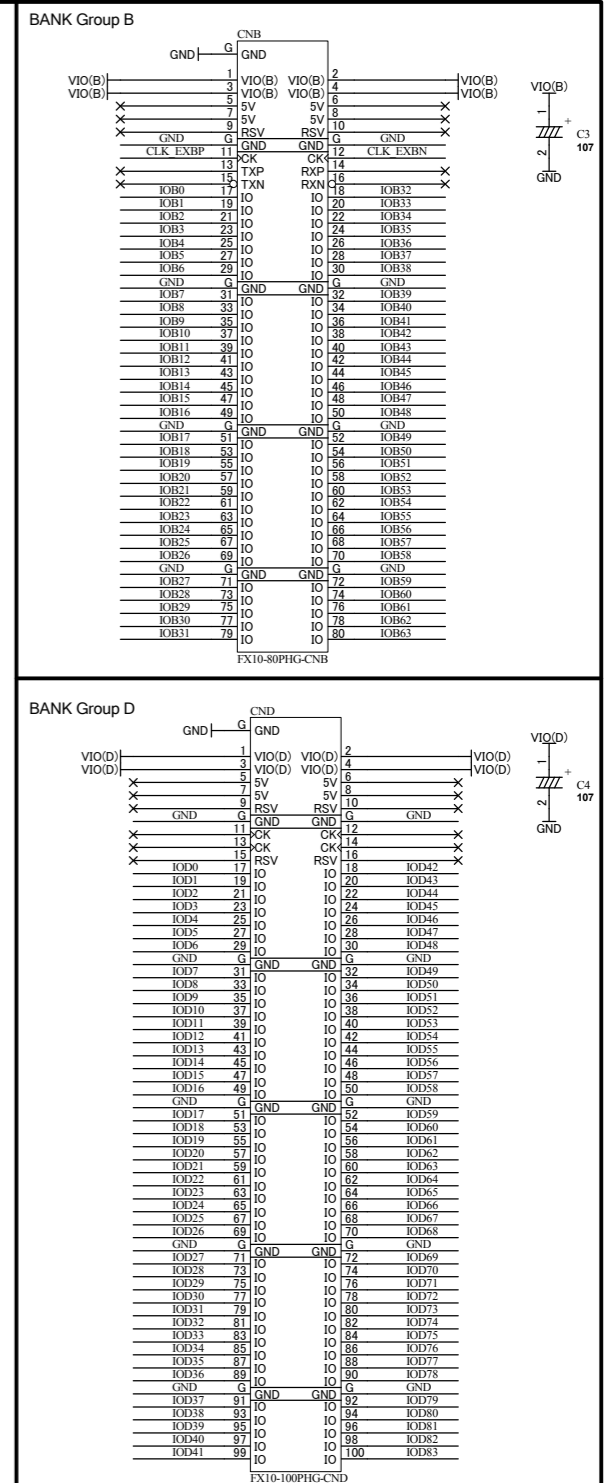
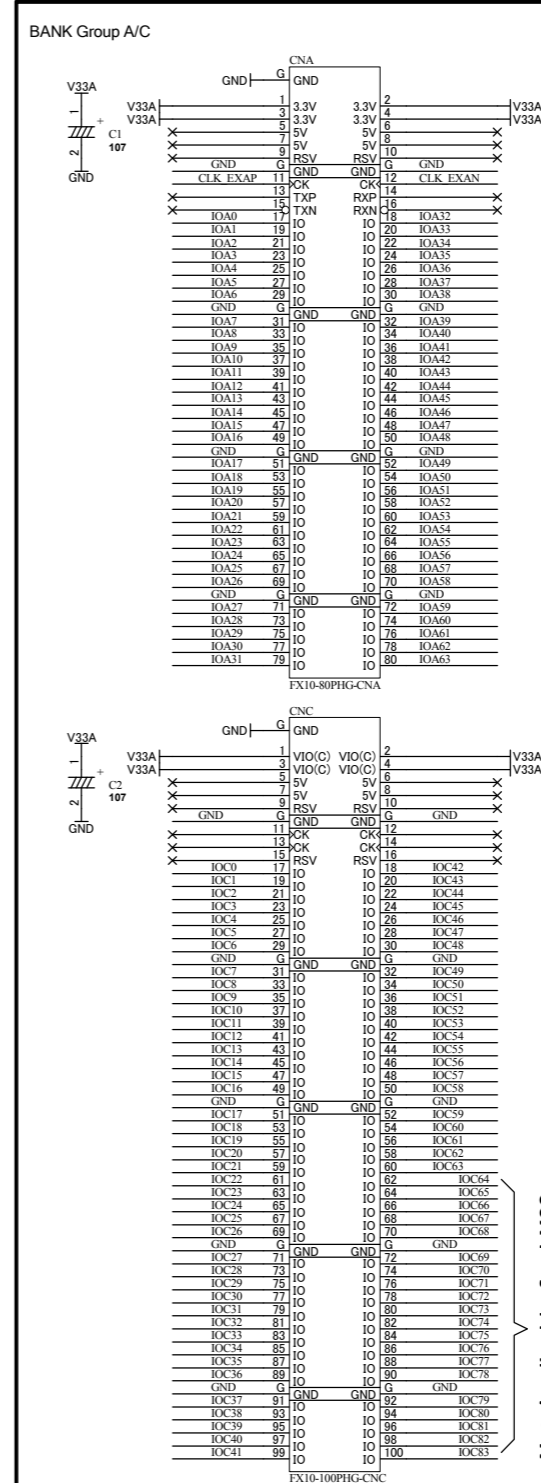
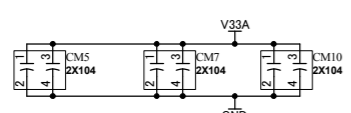
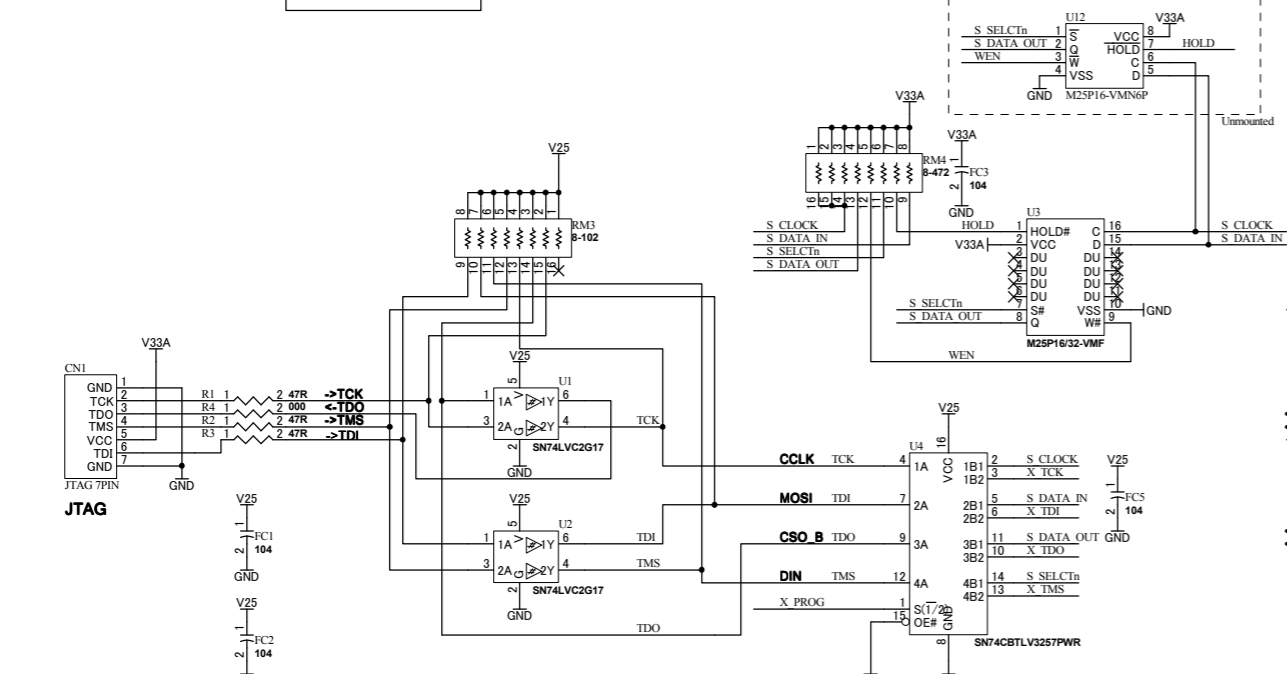
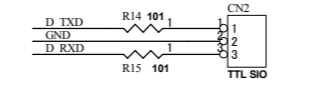
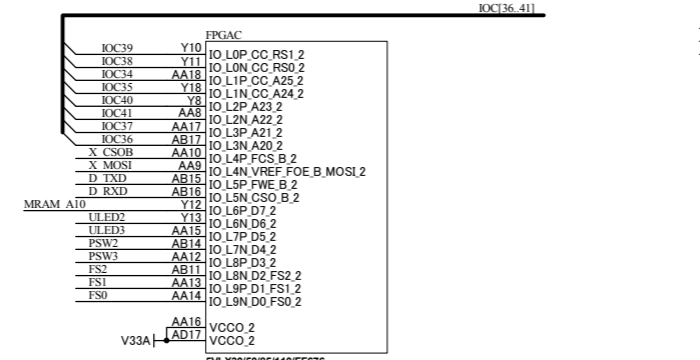
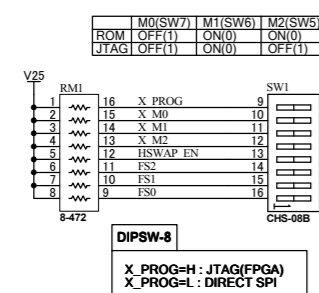
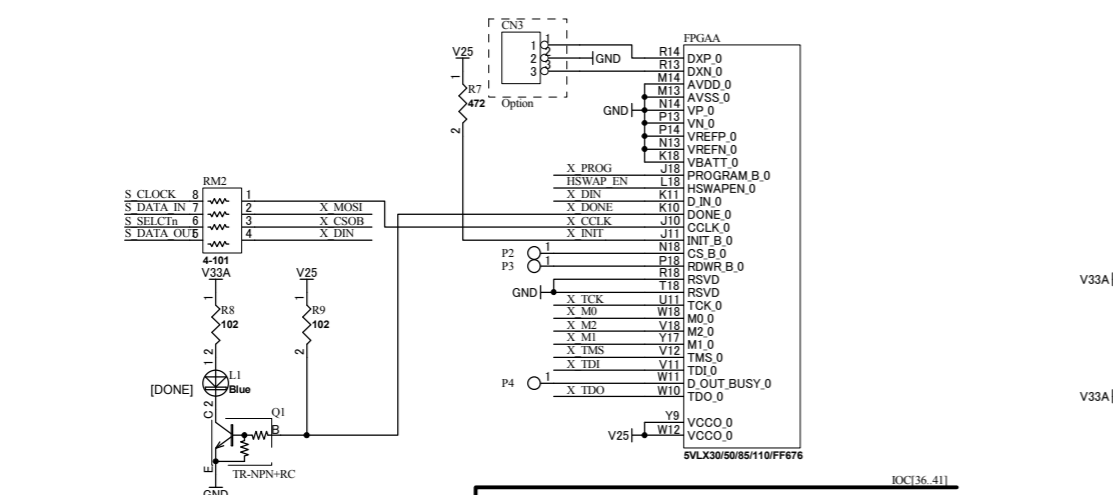


V18 V10
V25 V25
GND GND
V33A V33A
VIO(B) VIO(B)
VIO(D) VIO(D)



Not Applicable for LX30



HuMANDATA LTD.
OSAKA JAPAN
www.hdl.co.jp/en/(Global)
www.hdl.co.jp/(Japan)

Virtex-5 FFG676 FPGA Board

DOC. No. XCM-203

B2

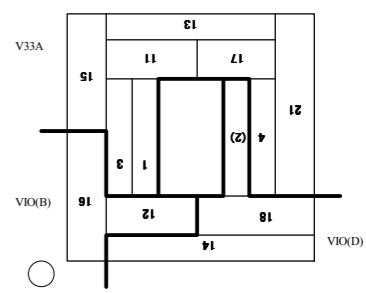
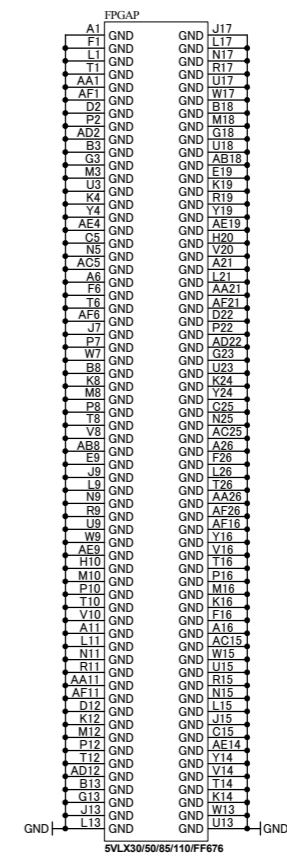
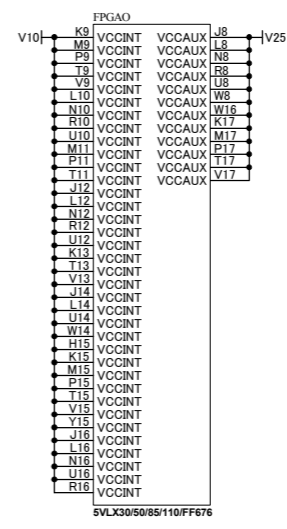
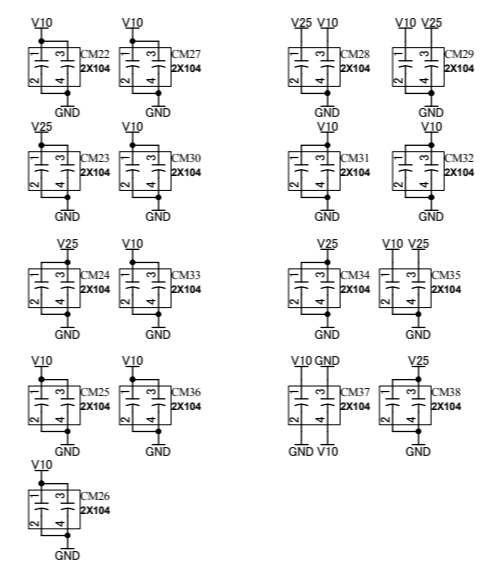
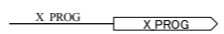
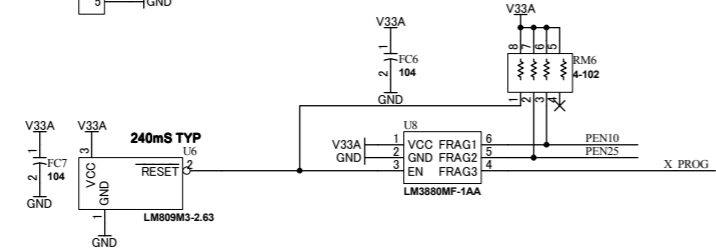
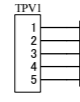
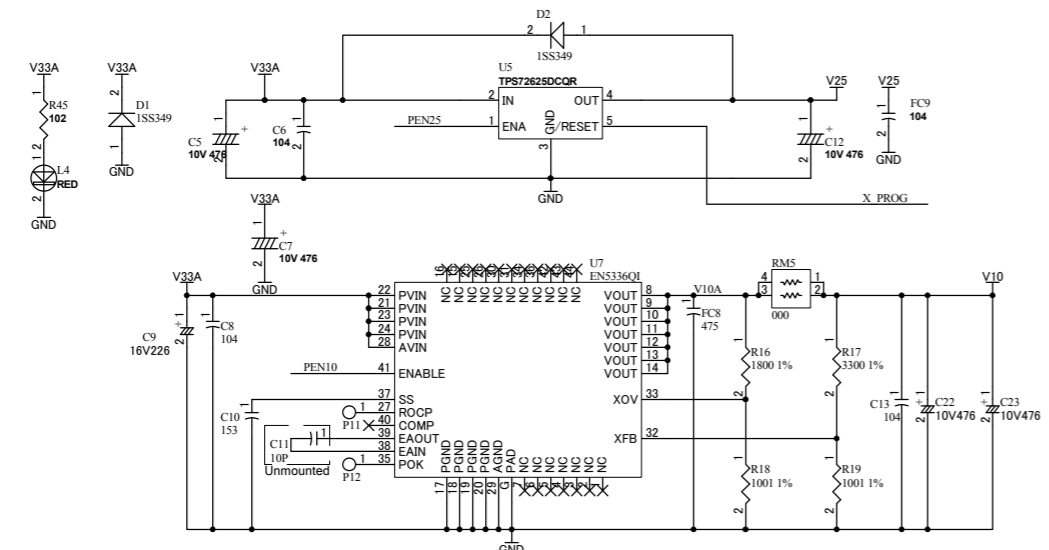
Date: 6-Sep-2011 10:25:50

File: XCM203B.sch

Sheet 1 of 4

XCM203R1-SCH-B2.pdf

V18 V10
 V10 V25
 V25 GND
 GND GND
 V33A V33A
 VIO(B) VIO(B)
 VIO(D) VIO(D)



XCM203R1-SCH-B2.pdf



HuMANDATA LTD.
 OSAKA JAPAN
 www.hdl.co.jp/en/(Global)
 www.hdl.co.jp/(Japan)

Virtex-5 FFG676 FPGA Board

DOC. No. XCM-203

B2

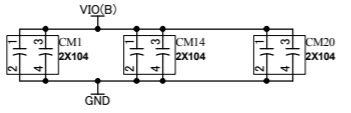
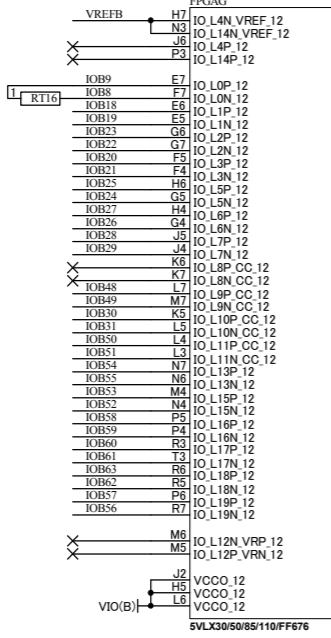
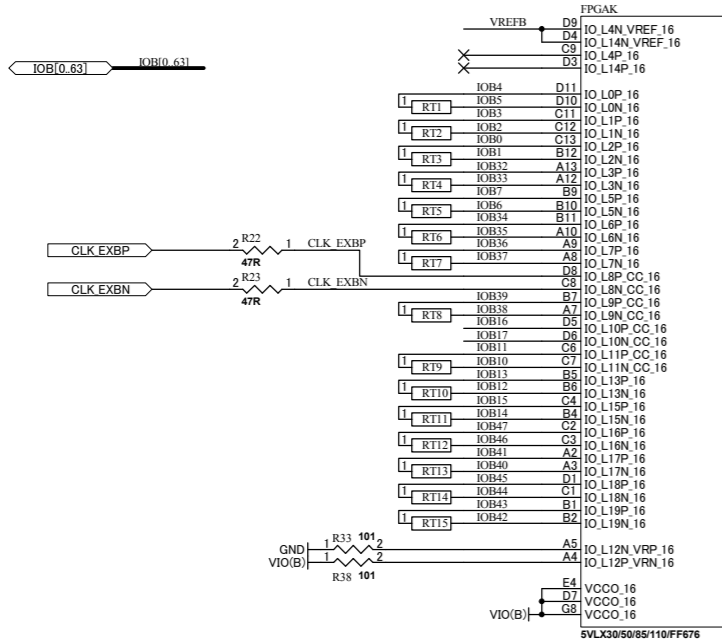
Date: 6-Sep-2011 10:25:51

File: PW_XCM203A.sch

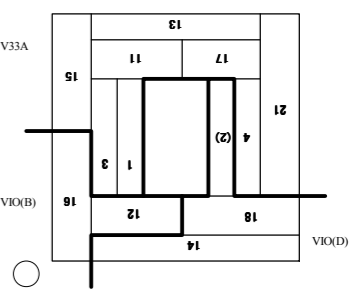
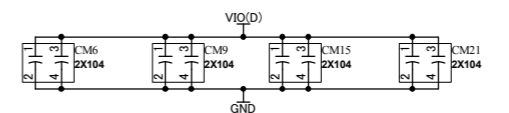
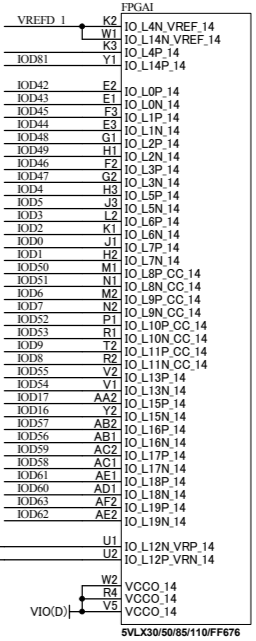
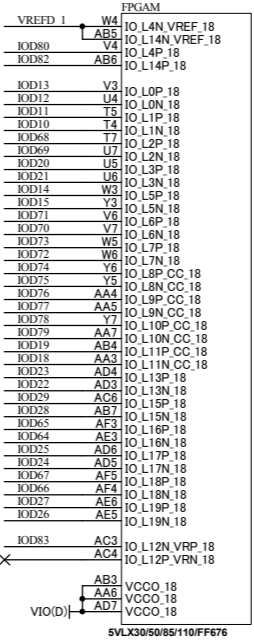
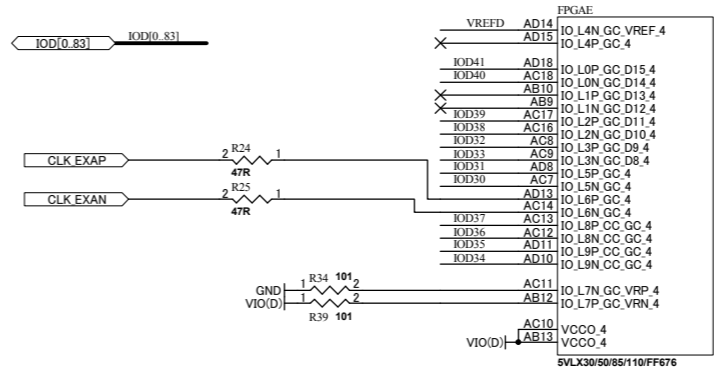
Sheet 2 of 4

V18| V18
 V10| V10
 V25| V25
 GND| GND
 V33A| V33A
 VIO(B)| VIO(B)
 VIO(D)| VIO(D)

CNB



CND



XCM203R1-SCH-B2.pdf

		Virtex-5 FFG676 FPGA Board	
HuMANDATA LTD. OSAKA JAPAN www.hdl.co.jp/en/(Global) www.hdl.co.jp/(Japan)		Date:	6-Sep-2011 10:25:51
Date: 6-Sep-2011 10:25:51		File:	X5IOBD.sch
Date: 6-Sep-2011 10:25:51		Sheet	4 of 4