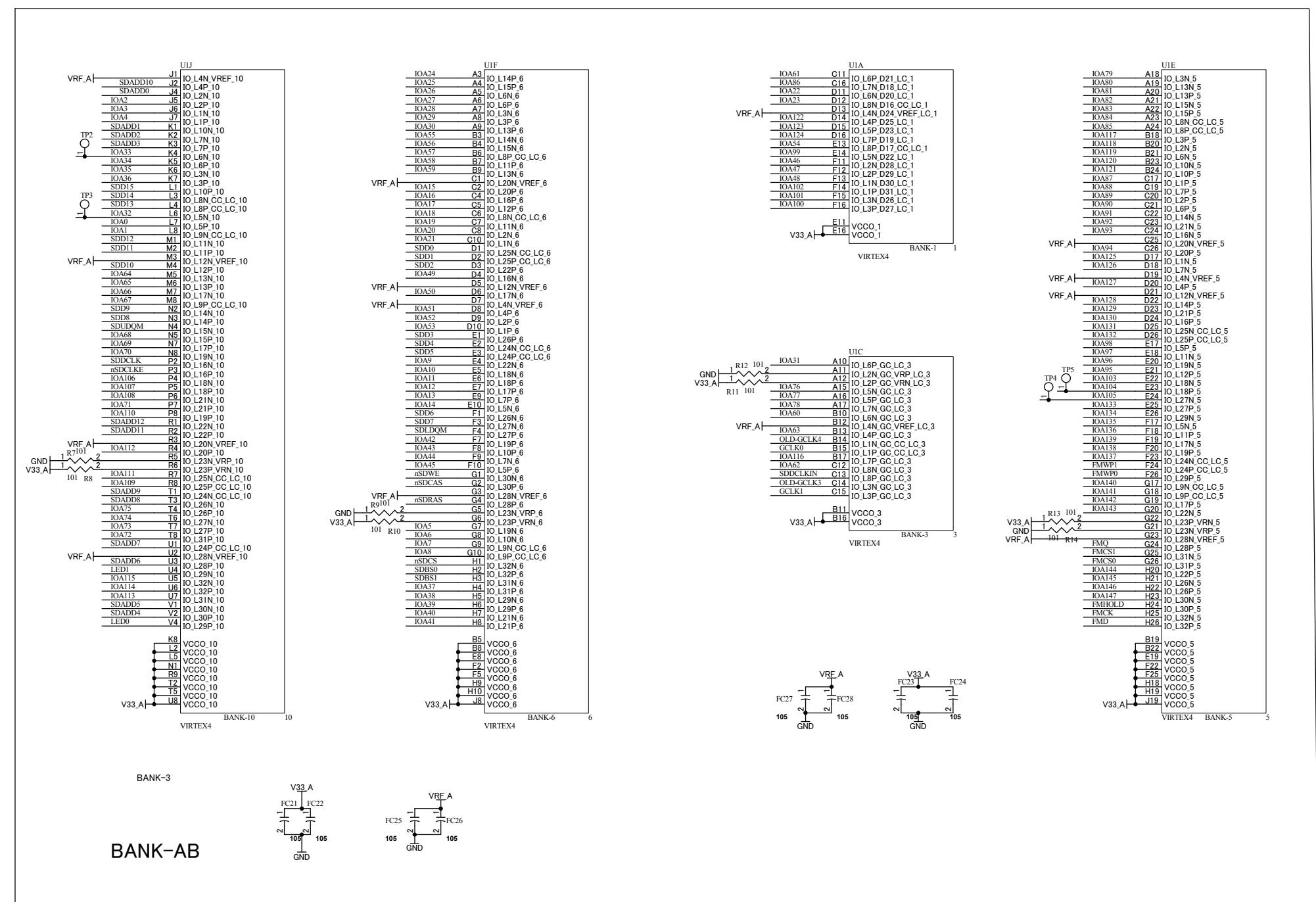
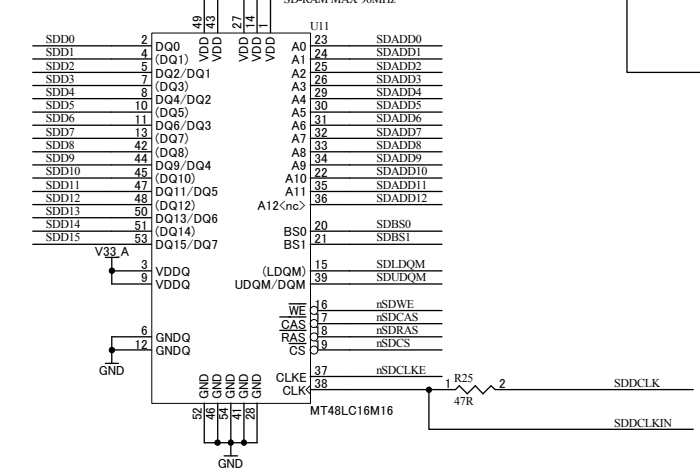
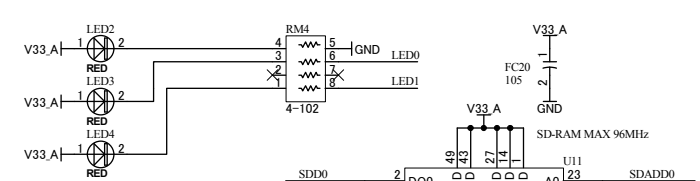
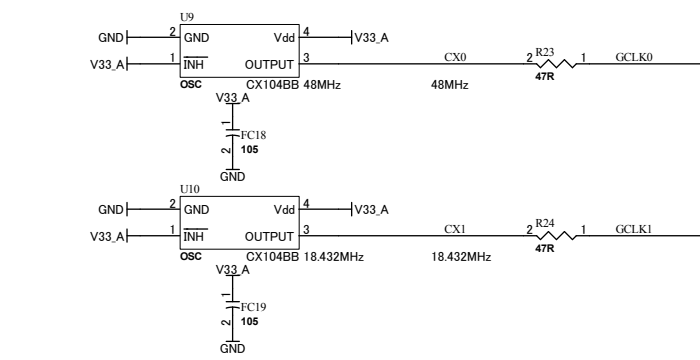
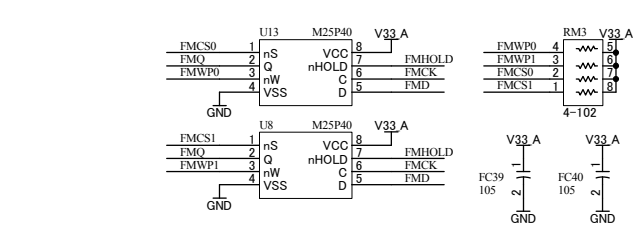


		2007/11/29	
		Virtex4FF668EVABOARD	
HuMANDATA LTD. OSAKA JAPAN www.hdl.co.jp		DOC. No.	XCM-201
Date: 30-Nov-2007	11:11:43	File: XCM201D.sch	Sheet 1 of 3

V12	V12
V25	V25
V33.A	V33.A
V33.B	V33.B
V33.C	V33.C
V33.D	V33.D
VRF.A	VRF.A
VRF.B	VRF.B
VRF.C	VRF.C
VRF.D	VRF.D
GND	GND

IOA0.1471	IOA0.1471
IOB0.731	IOB0.731

OLD-A	OLD-GCLK3
OLD-B	OLD-GCLK4



2007/11/29

HuMANDATA LTD.  
OSAKA JAPAN  
www.hdl.co.jp

Virtex4FF668EVABORD

V12	V12
V25	V25
V33_A	V33_A
V33_B	V33_B
V33_C	V33_C
V33_D	V33_D
VRF_A	VRF_A
VRF_B	VRF_B
VRF_C	VRF_C
VRF_D	VRF_D
GND	GND

IOC0_63	IOC0_63
IOD0_83	IOD0_83
CLK2P	CLK2P
CLK2N	CLK2N
CLK1P	CLK1P
CLK1N	CLK1N

