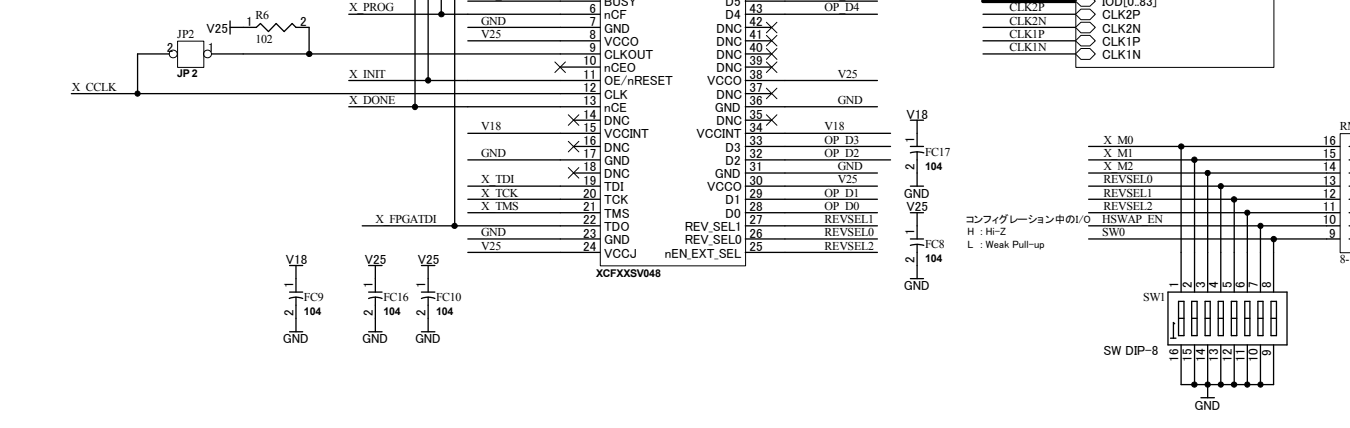
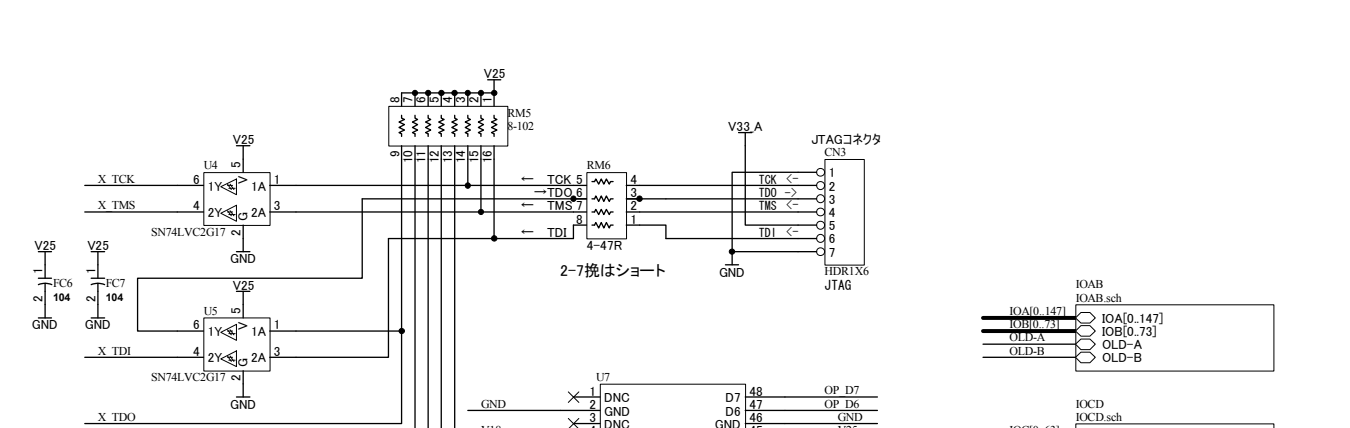
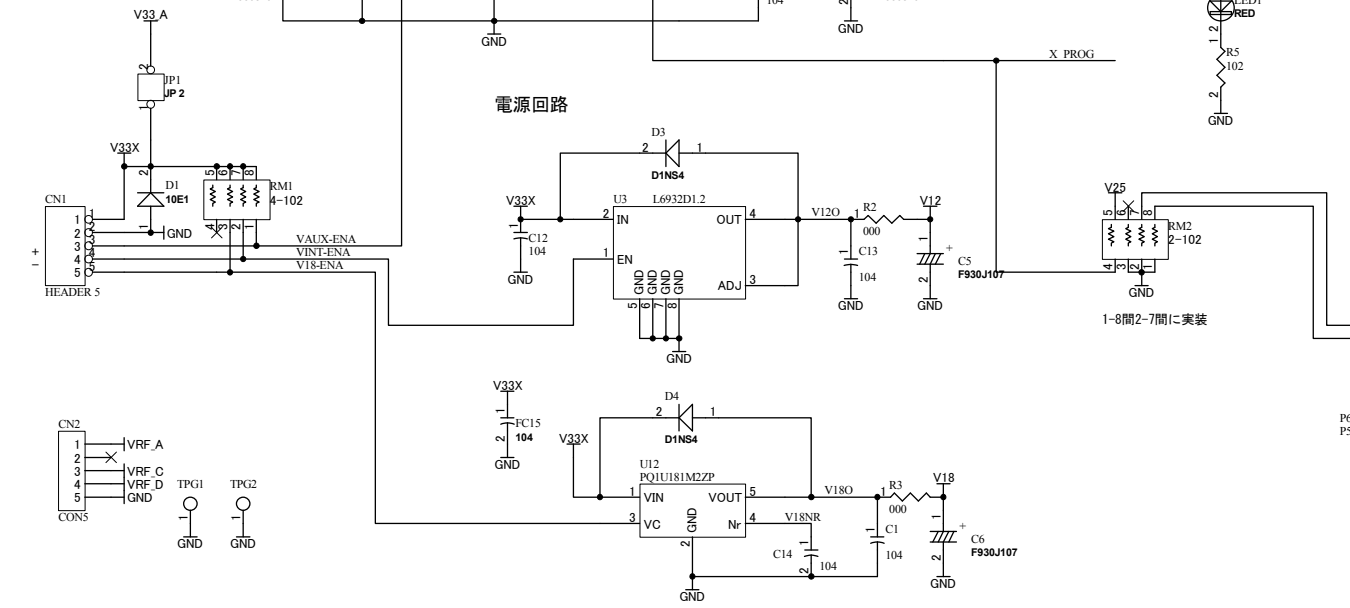
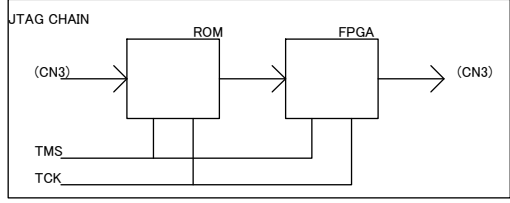
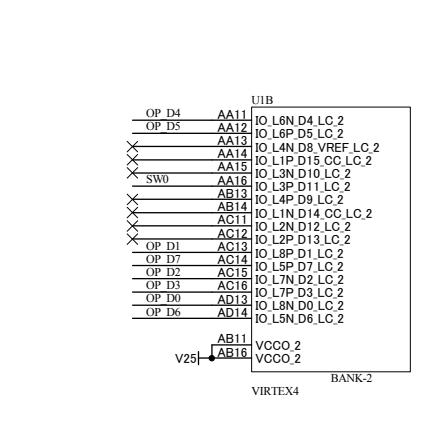
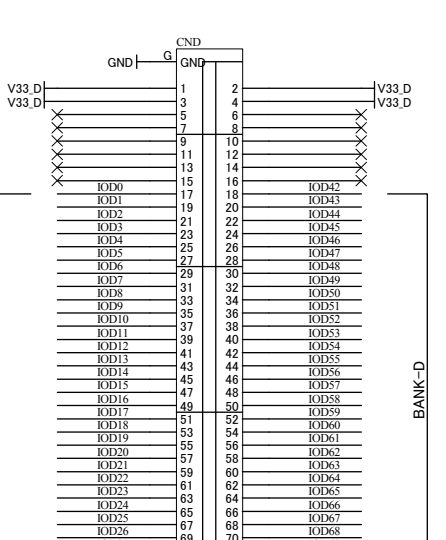
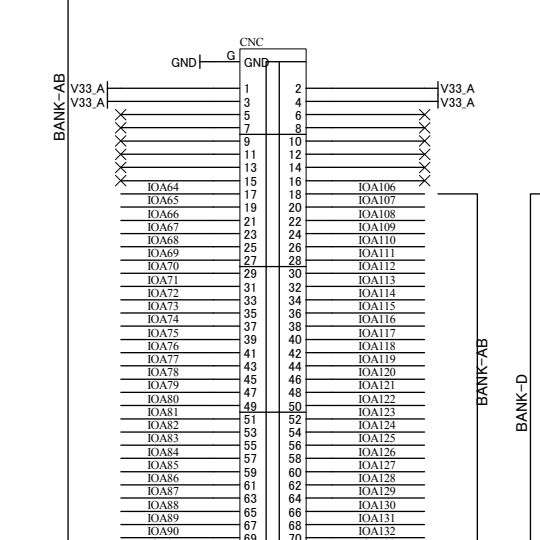
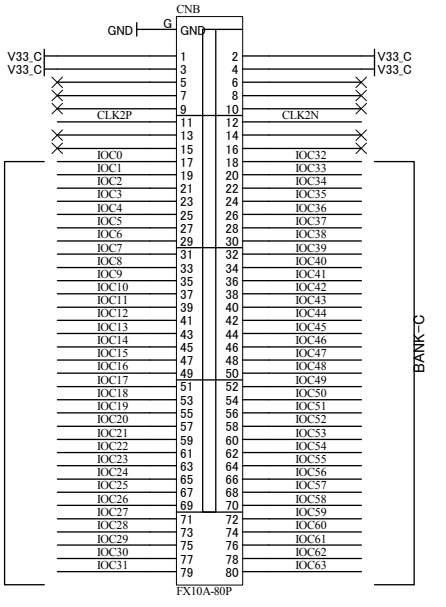
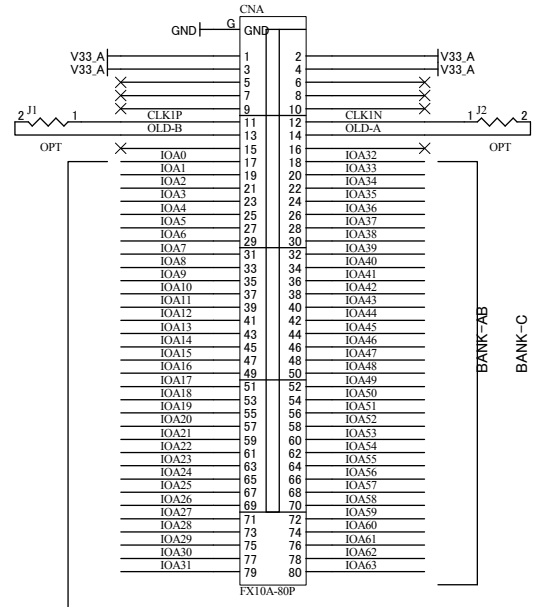
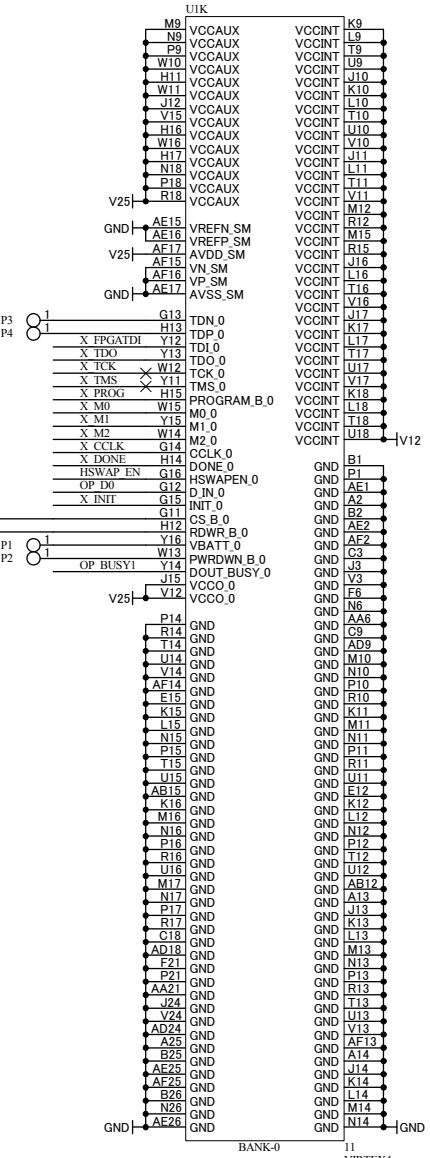


V12 V12
V25 V25
V33.A V33.A
V33.B V33.B
V33.C V33.C
V33.D V33.D
VRF.A VRF.A
VRF.B VRF.B
VRF.C VRF.C
VRF.D VRF.D
GND GND



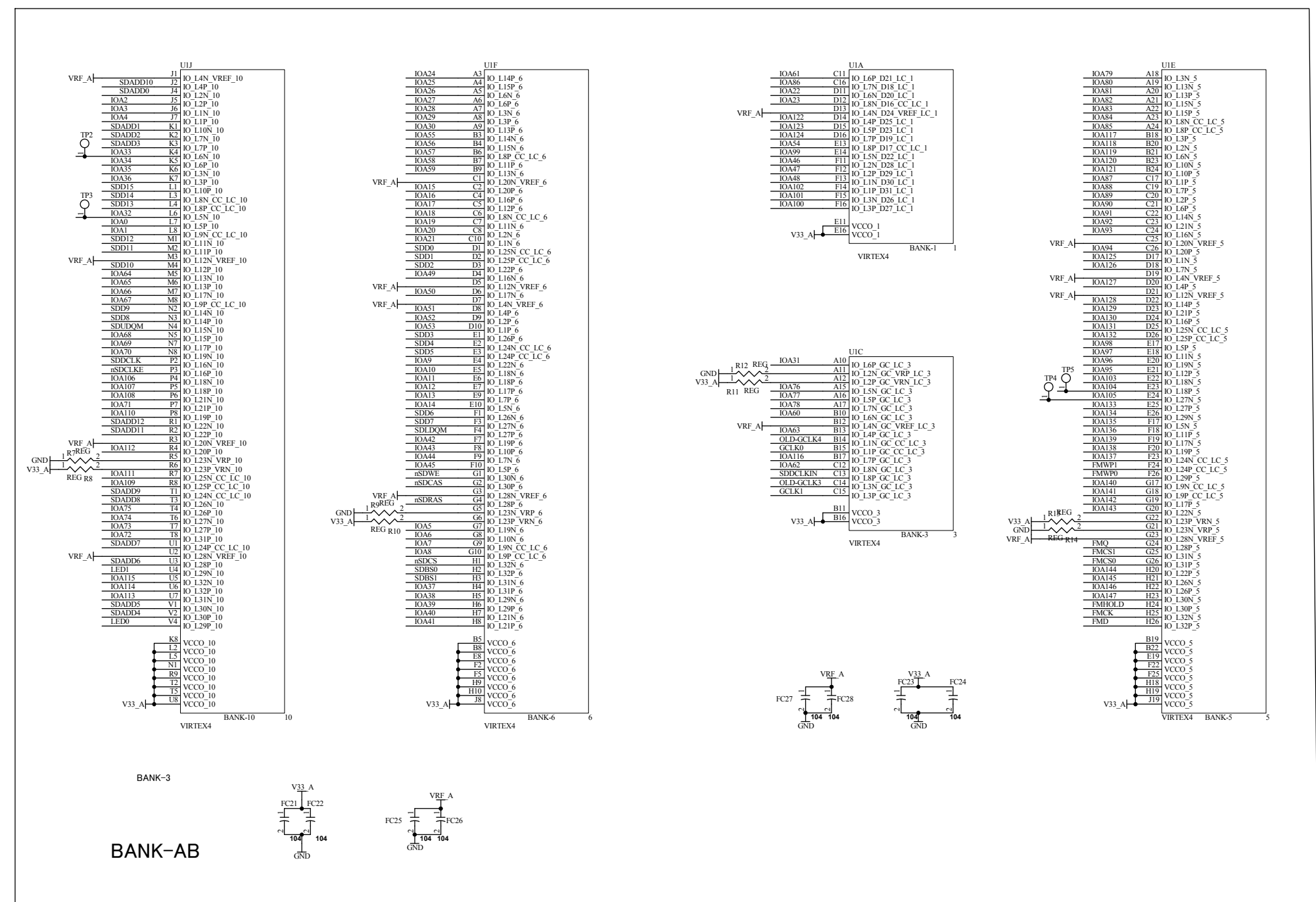
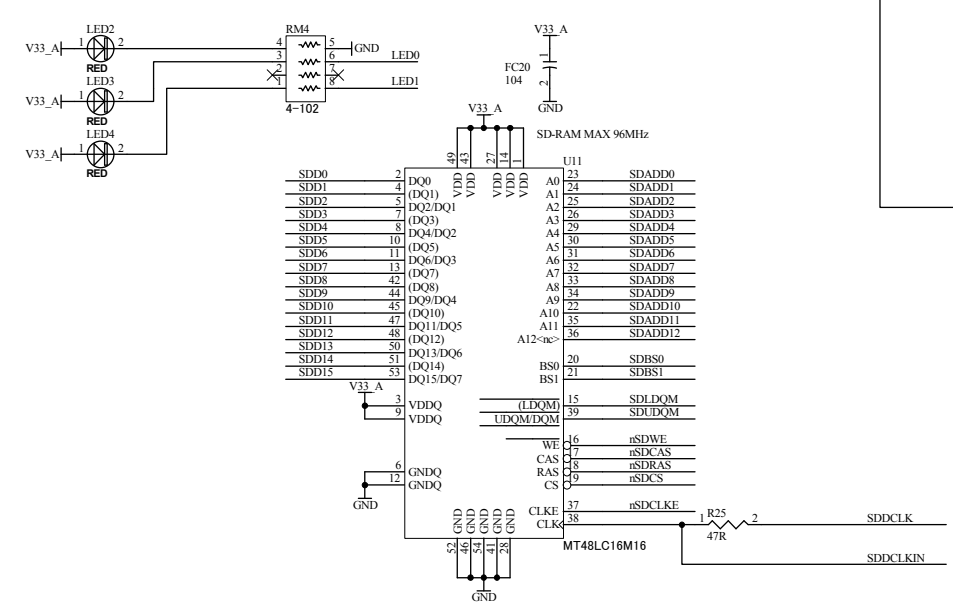
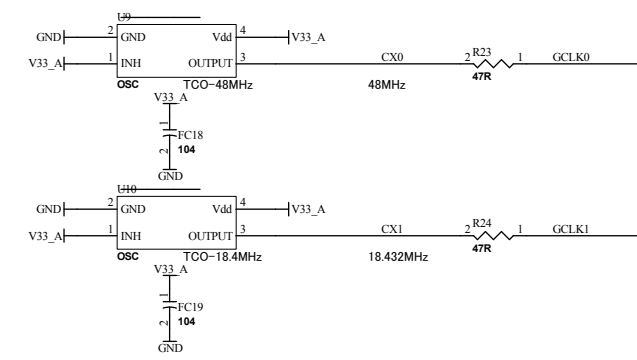
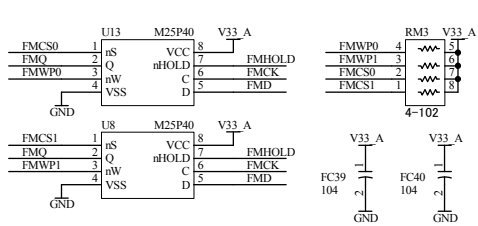
V25 V25 V25 V25
FC2 FC3 FC4 FC5
GND GND GND GND
GND GND GND GND
V12 V12 V12 V12
FC11 FC12 FC13 FC14
GND GND GND GND
GND GND GND GND



V12	V12
V25	V25
V33_A	V33_A
V33_B	V33_B
V33_C	V33_C
V33_D	V33_D
VRF_A	VRF_A
VRF_B	VRF_B
VRF_C	VRF_C
VRF_D	VRF_D
GND	GND

IOA(0_147)	IOA(0_147)
IOB(0_73)	IOB(0_73)

OLD-A	OLD-GCLK3
OLD-B	OLD-GCLK4



HUMAN DATA		Virtex4FF668EVBABORD	
HuMANDATA LTD. OSAKA JAPAN www.hdl.co.jp		DOC. No.	XCM-201
Date:	31-Oct-2007	File:	IOAB.sch
	17:43:41	Sheet	2 of 3

V12	V12
V25	V25
V33_A	V33 A
V33_B	V33 B
V33_C	V33 C
V33_D	V33 D
VRF_A	VRF A
VRF_B	VRF B
VRF_C	VRF C
VRF_D	VRF D
GND	GND

IOC10.63	IOC10.63
IOD10.83	IOD10.83
CLK2P	CLK2P
CLK2N	CLK2N
CLKIP	CLKIP
CLKIN	CLKIN

