

HUMANDATA
2007/02/06

HuMANDATA LTD.
OSAKA JAPAN
www.hdl.co.jp

Date: 6-Feb-2007 16:19:35

Virtex4FF668EVABOARD

DOC. No. XCM-201

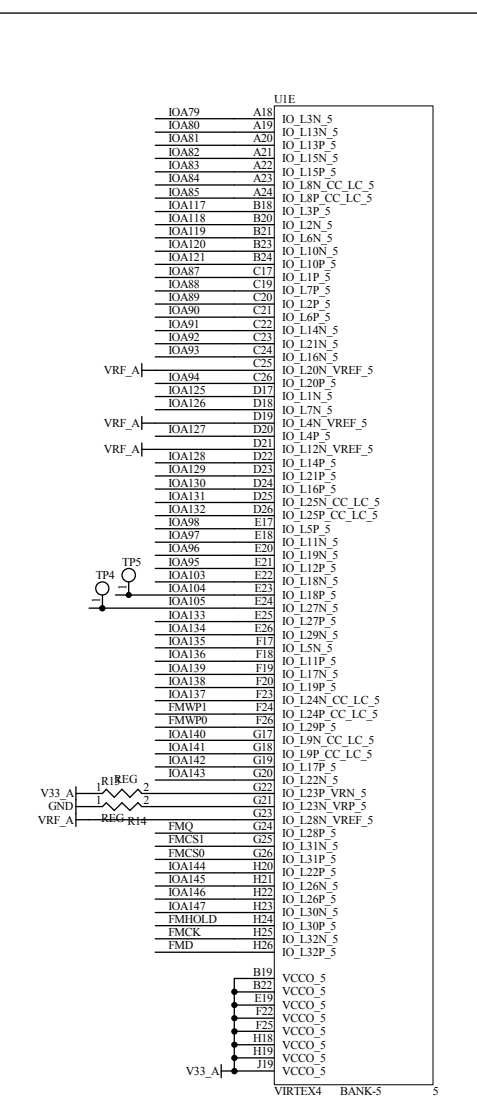
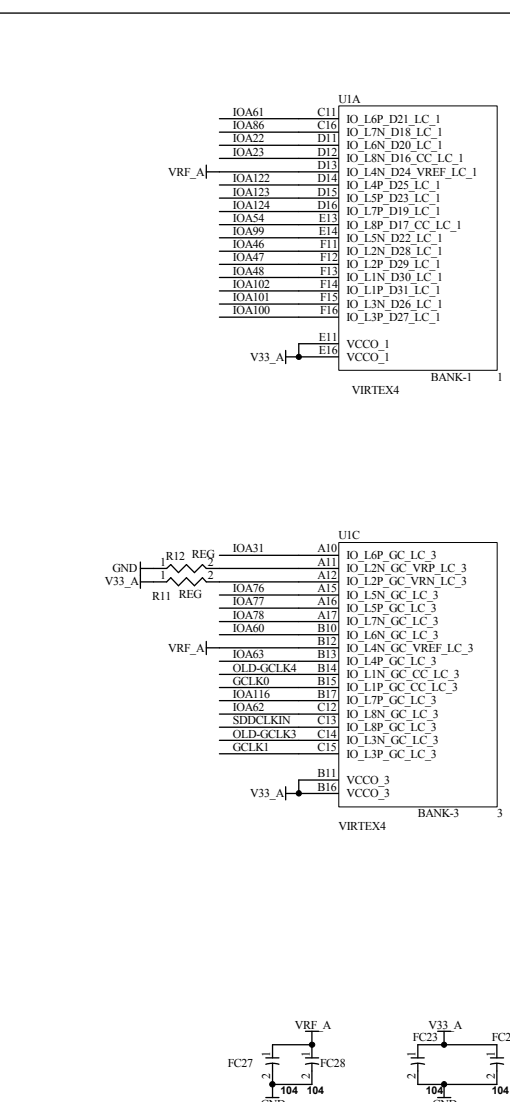
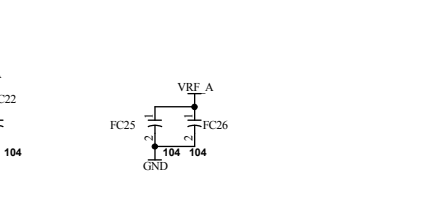
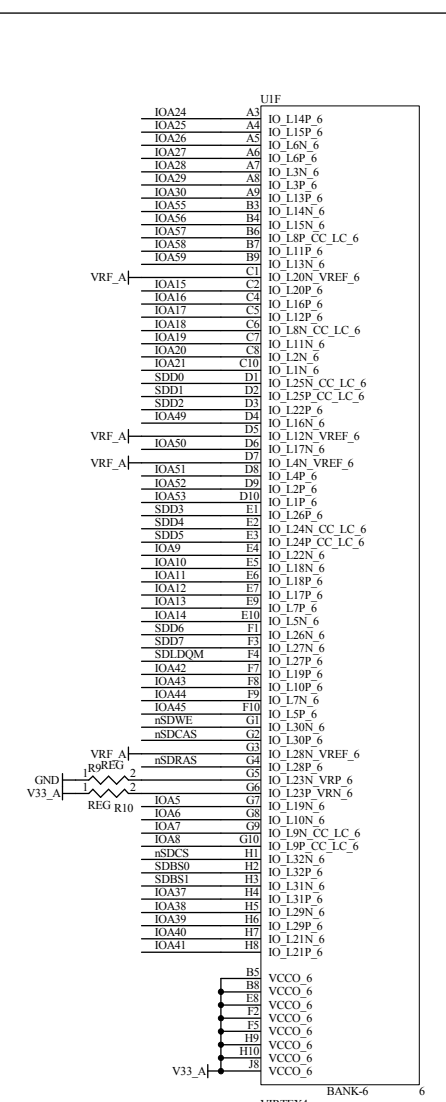
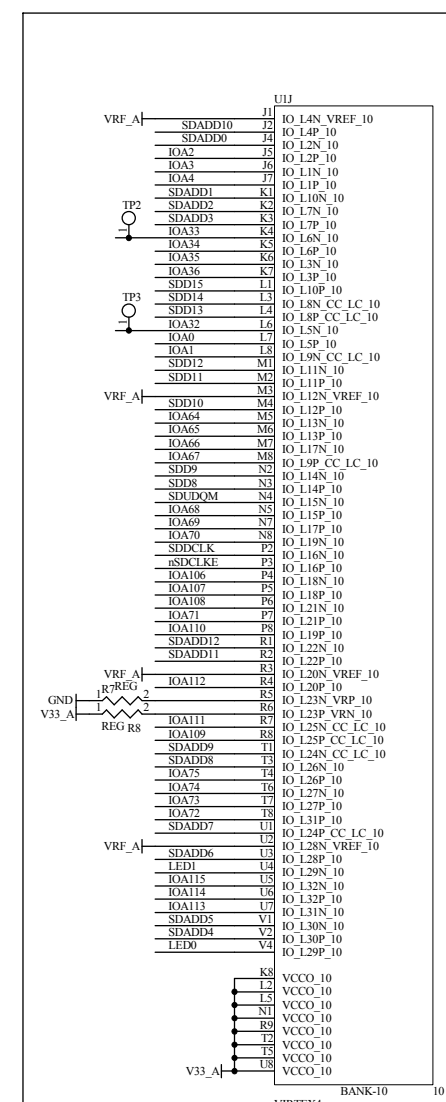
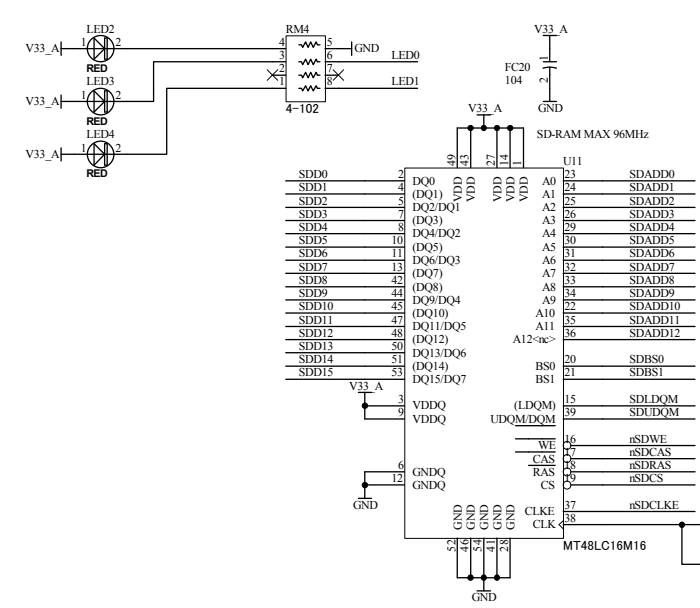
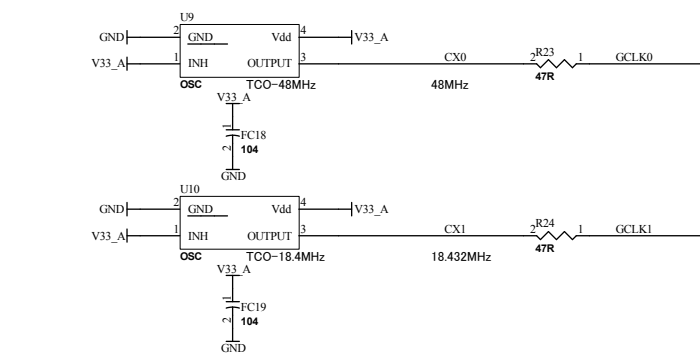
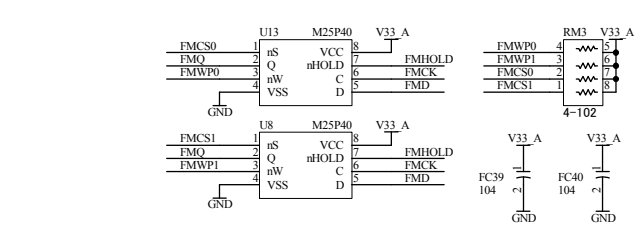
File: XCM201D.sch

Sheet 1 of 3

V12	V12
V25	V25
V33_A	V33_A
V33_B	V33_B
V33_C	V33_C
V33_D	V33_D
VRF_A	VRF_A
VRF_B	VRF_B
VRF_C	VRF_C
VRF_D	VRF_D
GND	GND

IOA[0_147]	IOA[0_147]
IOB[0_73]	IOB[0_73]

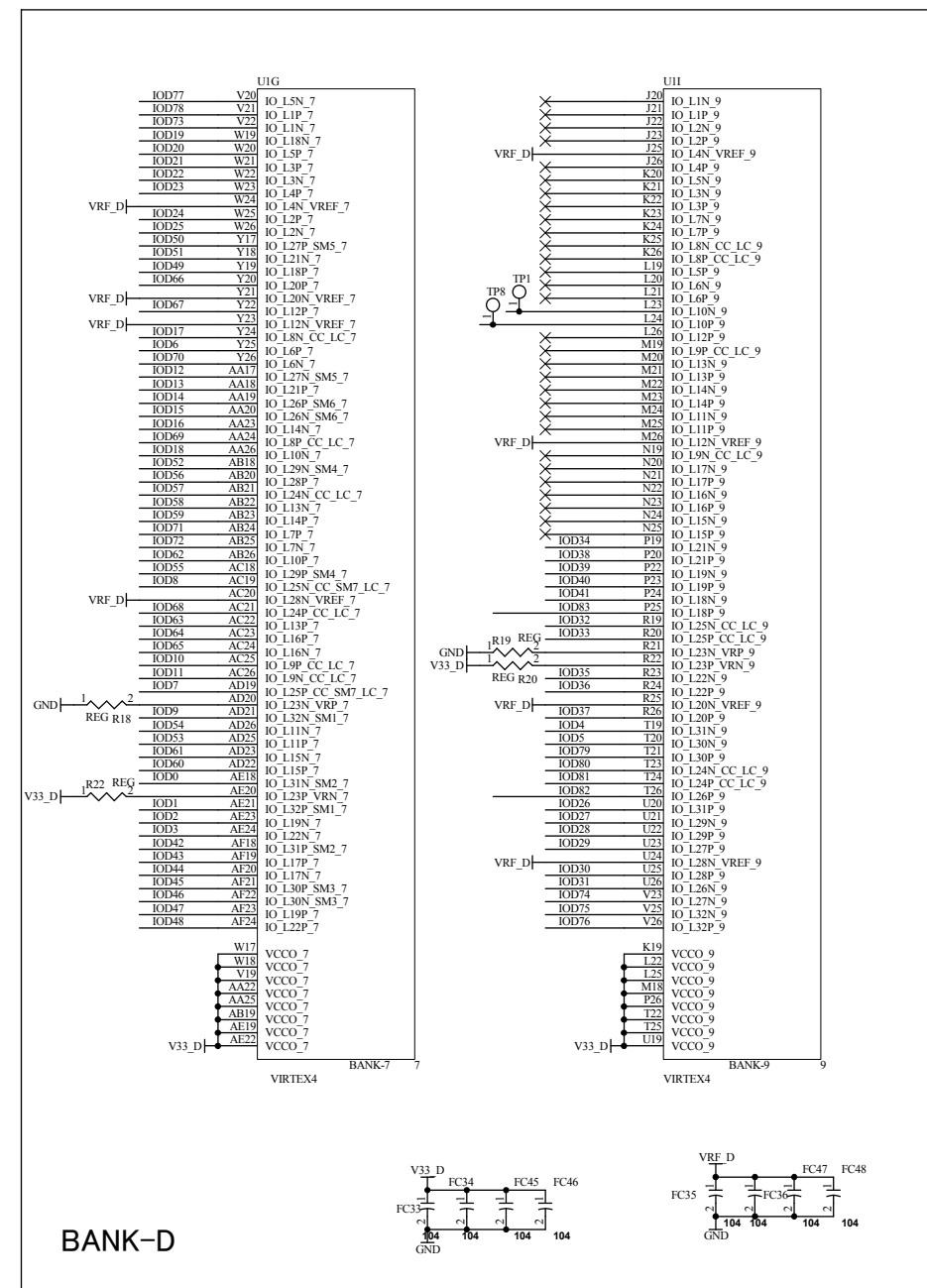
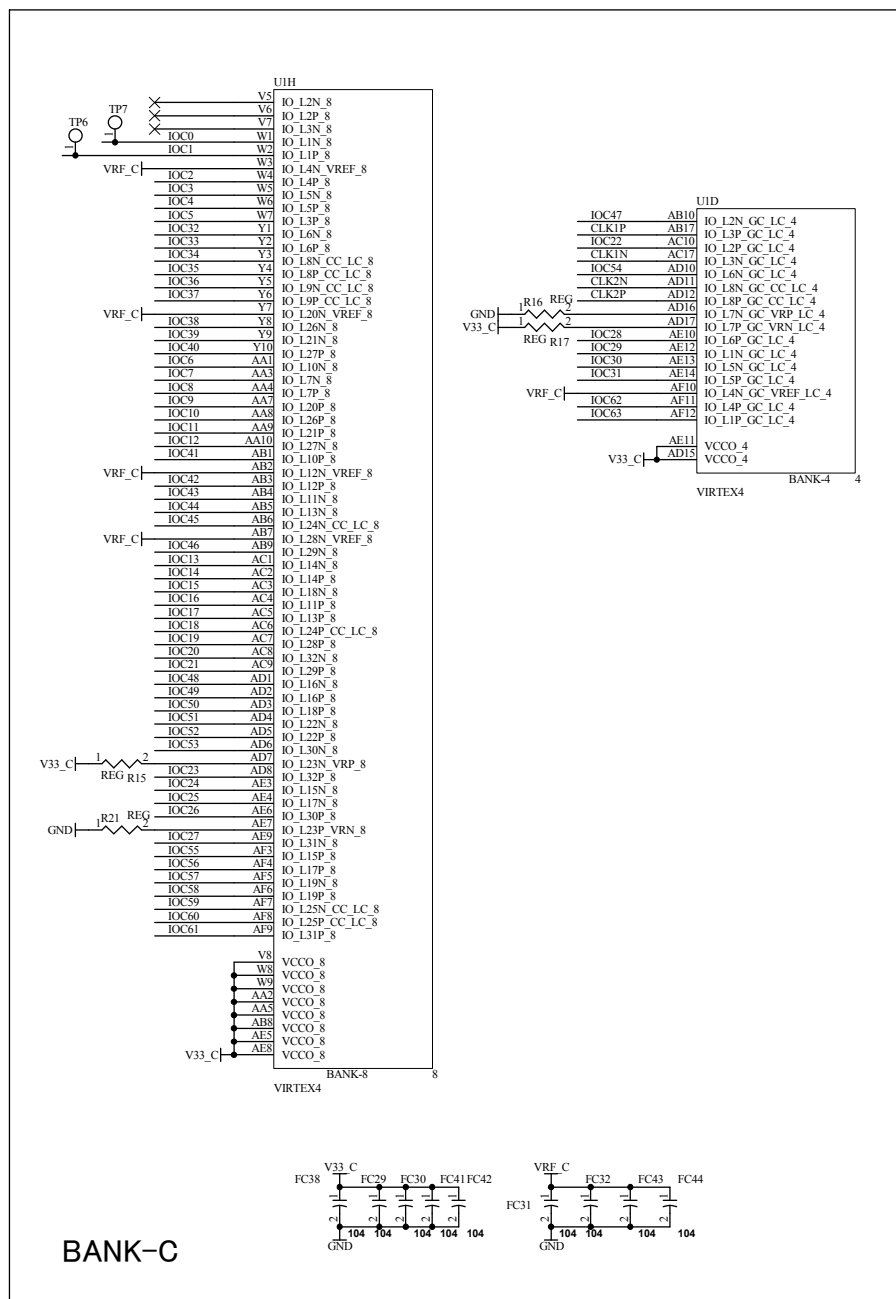
OLD-A	OLD-GCLK3
OLD-B	OLD-GCLK4



HUMAN DATA		Virtex4FF668EVABORD	
HuMANDATA LTD. OSAKA JAPAN www.hdl.co.jp		DOC. No.	XCM-201
Date:	6-Feb-2007	File:	IOAB.sch
	16:19:37	Sheet	2 of 3

V12	V12
V25	V25
V33_A	V33_A
V33_B	V33_B
V33_C	V33_C
V33_D	V33_D
VRF_A	VRF_A
VRF_B	VRF_B
VRF_C	VRF_C
VRF_D	VRF_D
GND	GND

IOC0.63	IOC0.63
IOD0.83	IOD0.83
CLK2P	CLK2P
CLK2N	CLK2N
CLK1P	CLK1P
CLK1N	CLK1N



HuMANDATA LTD.
OSAKA JAPAN
www.hdl.co.jp

Virtex4FF668EVABOARD

Date: 6-Feb-2007

16:19:37

File: IOCD.sch

DOC. No.

XCM-201

D

Sheet 3

of 3