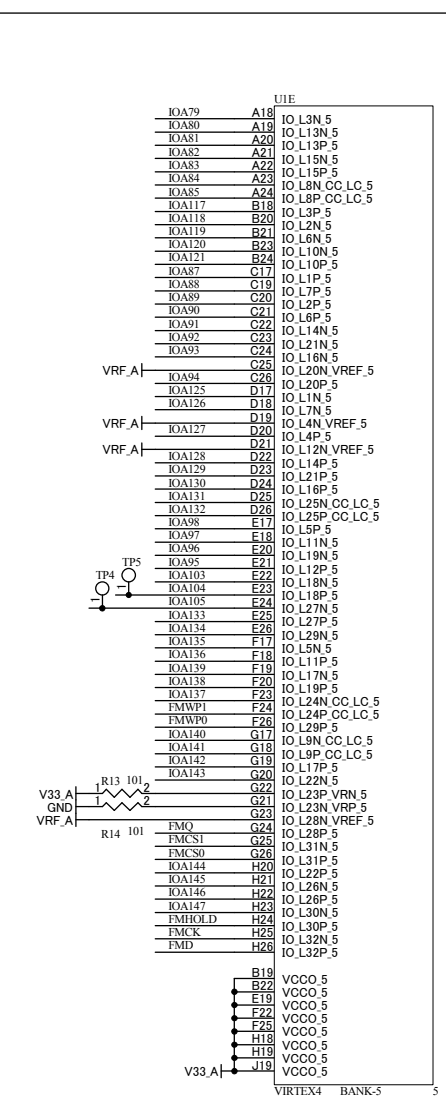
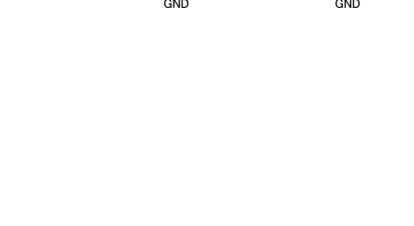
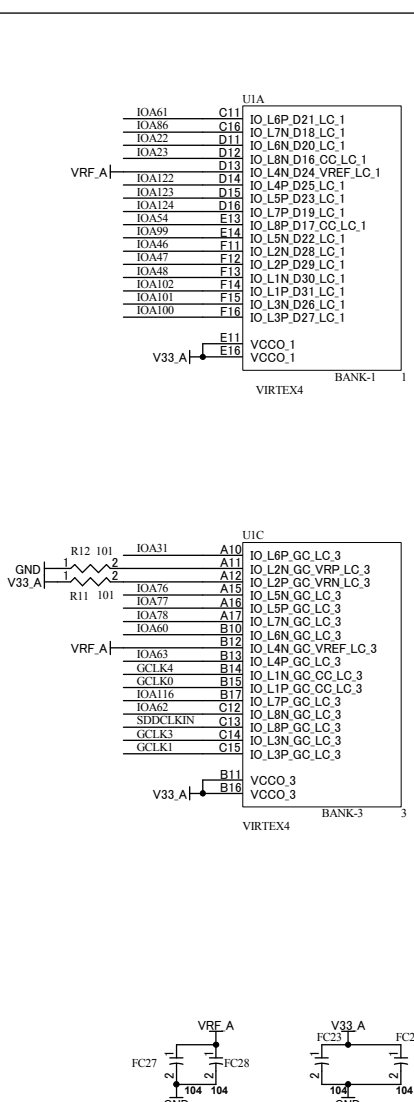
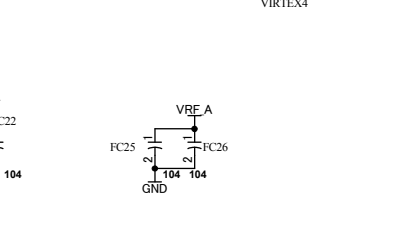
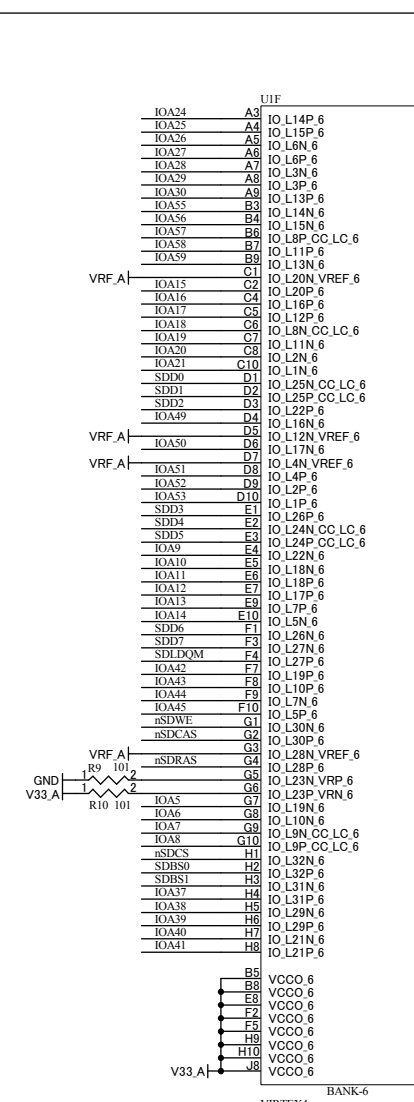
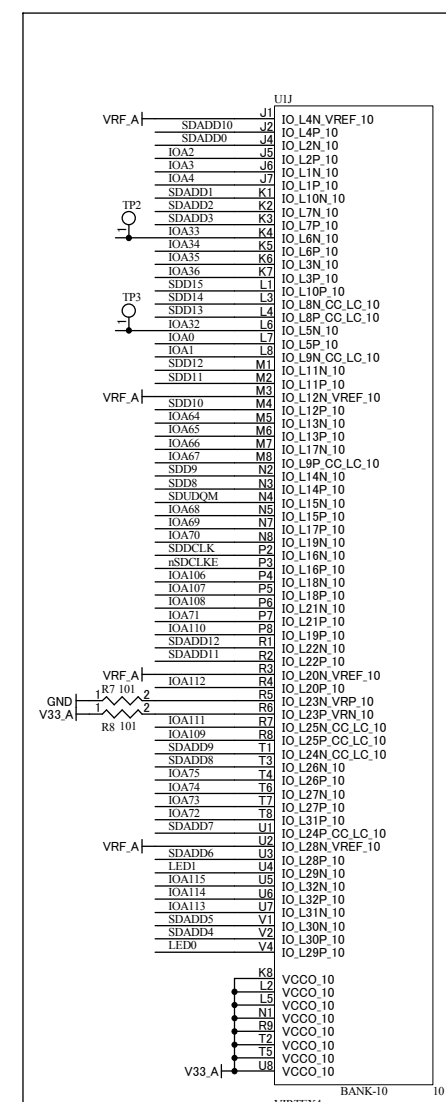
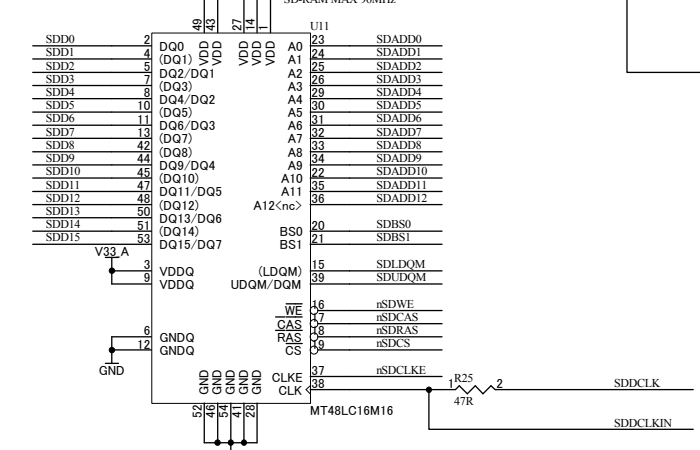
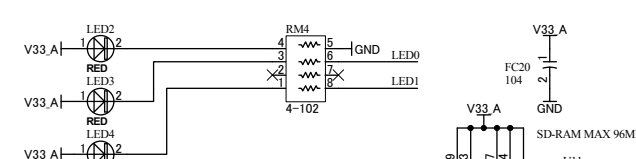
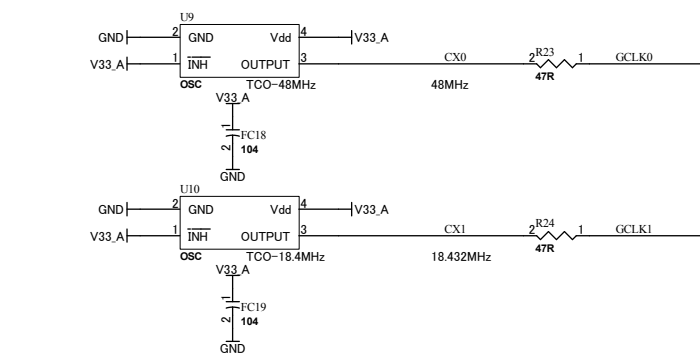
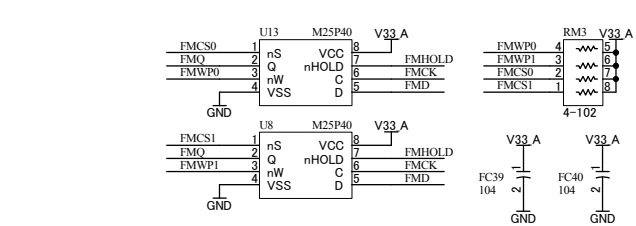


V12	V12
V25	V25
V33.A	V33.A
V33.B	V33.B
V33.C	V33.C
V33.D	V33.D
VRF.A	VRF.A
VRF.B	VRF.B
VRF.C	VRF.C
VRF.D	VRF.D
GND	GND

IOA0.1471	IOA0.1471
IOB0.731	IOB0.731

CLK-A	GCLK3
CLK-B	GCLK4



HUMAN DATA		Virtex4FF668EVABORD	
HuMANDATA LTD. OSAKA JAPAN www.hdl.co.jp		Date:	14-Jan-2006
Date:		File:	IOAB.sch
Date:		Sheet:	2 of 3

