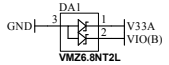
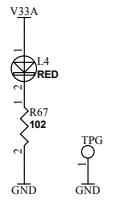


V33A	V33A
VIO(B)	VIO(B)
VCCINT_10	VCCINT_10
VCCAUX_18	VCCAUX_18
VMGTAVTT_12	VMGTAVTT_12
VMGTAVCC_10	VMGTAVCC_10
VMGTCLK	VMGTCLK
VDDR	VDDR
VCCOB	VCCOB
VCCOA	VCCOA
GND	GND

[POWER]

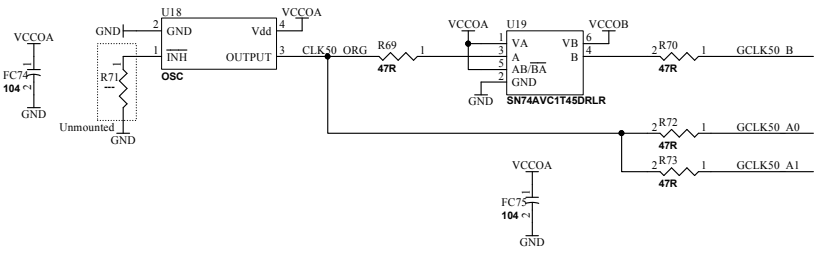
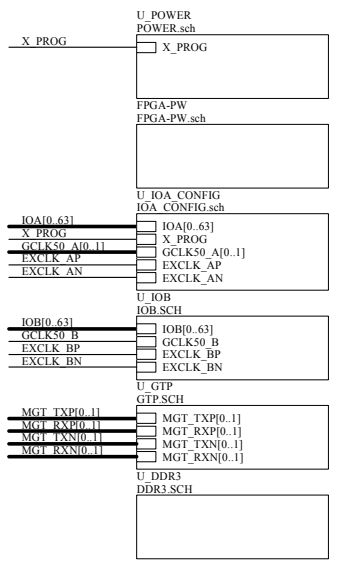


GND		GND	GND	GND	
V33A	1	3.3V	3.3V	2	V33A
	3	3.3V	3.3V	4	
	5	5V	5V	6	
	7	5V	5V	8	
	9	5V	5V	10	
	11	RSV	RSV	12	
GND	G	GND	GND	G	GND
EXCLK AP	11	CK	CK	12	EXCLK AN
MGT TXP0	13	TXP	RXP	14	MGT RXP0
MGT TXN0	15	TXN	RXN	16	MGT RXN0
IOA0	17	IO	IO	18	IOA32
IOA1	19	IO	IO	20	IOA33
IOA2	21	IO	IO	22	IOA34
IOA3	23	IO	IO	24	IOA35
IOA4	25	IO	IO	26	IOA36
IOA5	27	IO	IO	28	IOA37
IOA6	29	IO	IO	30	IOA38
GND	G	GND	GND	G	GND
IOA7	31	IO	IO	32	IOA39
IOA8	33	IO	IO	34	IOA40
IOA9	35	IO	IO	36	IOA41
IOA10	37	IO	IO	38	IOA42
IOA11	39	IO	IO	40	IOA43
IOA12	41	IO	IO	42	IOA44
IOA13	43	IO	IO	44	IOA45
IOA14	45	IO	IO	46	IOA46
IOA15	47	IO	IO	48	IOA47
IOA16	49	IO	IO	50	IOA48
GND	G	GND	GND	G	GND
IOA17	51	IO	IO	52	IOA49
IOA18	53	IO	IO	54	IOA50
IOA19	55	IO	IO	56	IOA51
IOA20	57	IO	IO	58	IOA52
IOA21	59	IO	IO	60	IOA53
IOA22	61	IO	IO	62	IOA54
IOA23	63	IO	IO	64	IOA55
IOA24	65	IO	IO	66	IOA56
IOA25	67	IO	IO	68	IOA57
IOA26	69	IO	IO	70	IOA58
GND	G	GND	GND	G	GND
IOA27	71	IO	IO	72	IOA59
IOA28	73	IO	IO	74	IOA60
IOA29	75	IO	IO	76	IOA61
IOA30	77	IO	IO	78	IOA62
IOA31	79	IO	IO	80	IOA63

FX10-80PHG-CNA

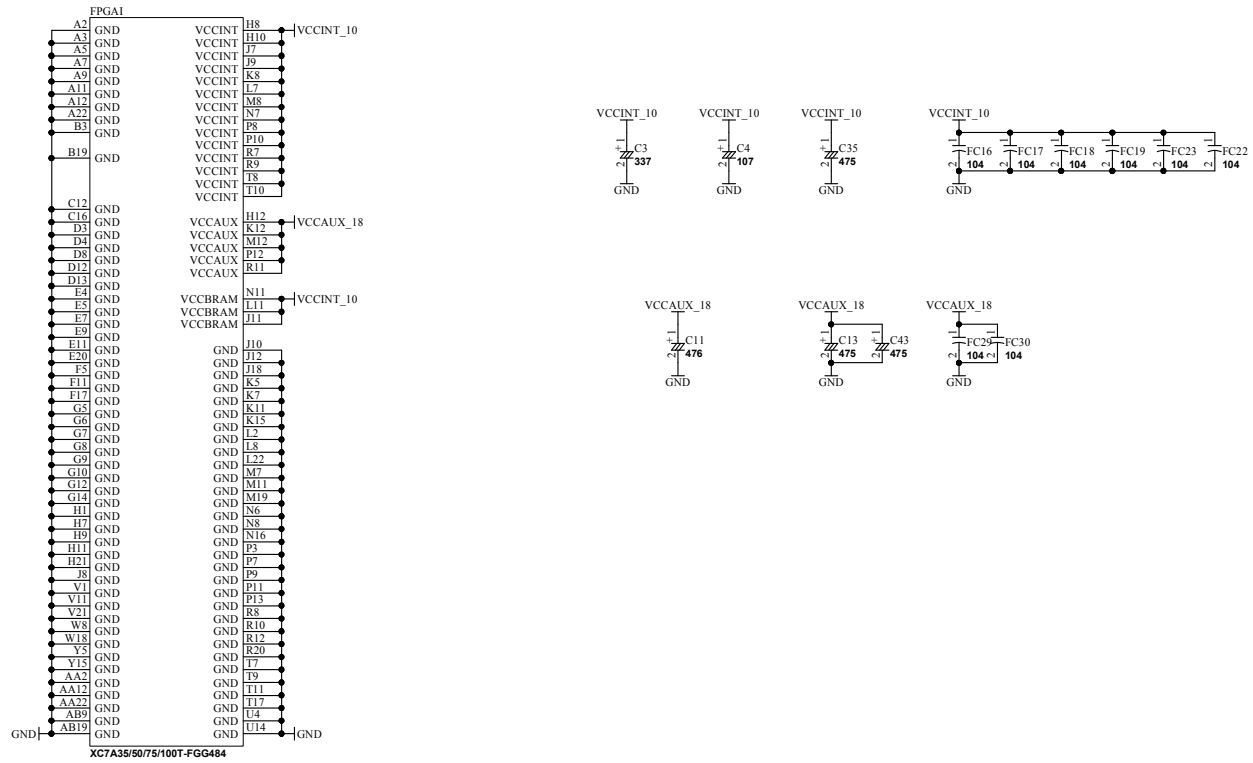
GND		GND	GND	GND	
VIO(B)	1	VIO(B)	VIO(B)	2	VIO(B)
	3	VIO(B)	VIO(B)	4	
	5	5V	5V	6	
	7	5V	5V	8	
	9	5V	5V	10	
	11	RSV	RSV	12	
GND	G	GND	GND	G	GND
EXCLK BP	11	CK	CK	12	EXCLK BN
MGT TXP1	13	TXP	RXP	14	MGT RXP1
MGT TXN1	15	TXN	RXN	16	MGT RXN1
IOB0	17	IO	IO	18	IOB32
IOB1	19	IO	IO	20	IOB33
IOB2	21	IO	IO	22	IOB34
IOB3	23	IO	IO	24	IOB35
IOB4	25	IO	IO	26	IOB36
IOB5	27	IO	IO	28	IOB37
IOB6	29	IO	IO	30	IOB38
GND	G	GND	GND	G	GND
IOB7	31	IO	IO	32	IOB39
IOB8	33	IO	IO	34	IOB40
IOB9	35	IO	IO	36	IOB41
IOB10	37	IO	IO	38	IOB42
IOB11	39	IO	IO	40	IOB43
IOB12	41	IO	IO	42	IOB44
IOB13	43	IO	IO	44	IOB45
IOB14	45	IO	IO	46	IOB46
IOB15	47	IO	IO	48	IOB47
IOB16	49	IO	IO	50	IOB48
GND	G	GND	GND	G	GND
IOB17	51	IO	IO	52	IOB49
IOB18	53	IO	IO	54	IOB50
IOB19	55	IO	IO	56	IOB51
IOB20	57	IO	IO	58	IOB52
IOB21	59	IO	IO	60	IOB53
IOB22	61	IO	IO	62	IOB54
IOB23	63	IO	IO	64	IOB55
IOB24	65	IO	IO	66	IOB56
IOB25	67	IO	IO	68	IOB57
IOB26	69	IO	IO	70	IOB58
GND	G	GND	GND	G	GND
IOB27	71	IO	IO	72	IOB59
IOB28	73	IO	IO	74	IOB60
IOB29	75	IO	IO	76	IOB61
IOB30	77	IO	IO	78	IOB62
IOB31	79	IO	IO	80	IOB63

FX10-80PHG-CNB



DSN:	TITLE: ARTIX-7 FBG484 FPGA Board	
DOC. No:	XCM-114	A1
FILE: XCM114A.sch	DATE: 2017/07/03 14:15:26	Sheet: 1 / 7

V33A	V33A
VIO(B)	VIO(B)
VCCINT_10	VCCINT_10
VCCAUX_18	VCCAUX_18
VMGTAVTT_12	VMGTAVTT_12
VMGTAVCC_10	VMGTAVCC_10
VMGTCLK	VMGTCLK
VDDR	VDDR
VCCOB	VCCOB
VCCOA	VCCOA
GND	GND



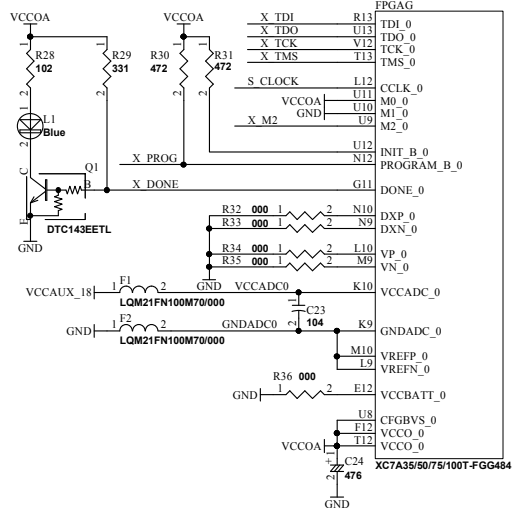
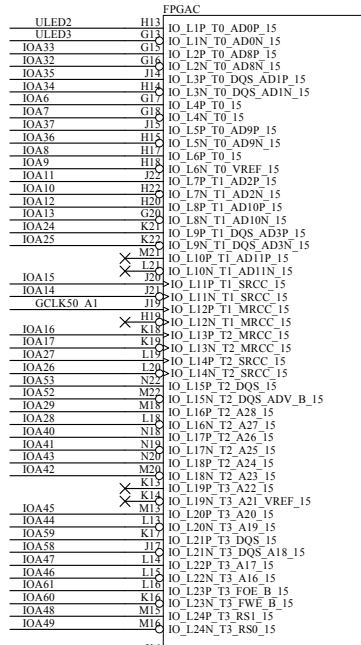
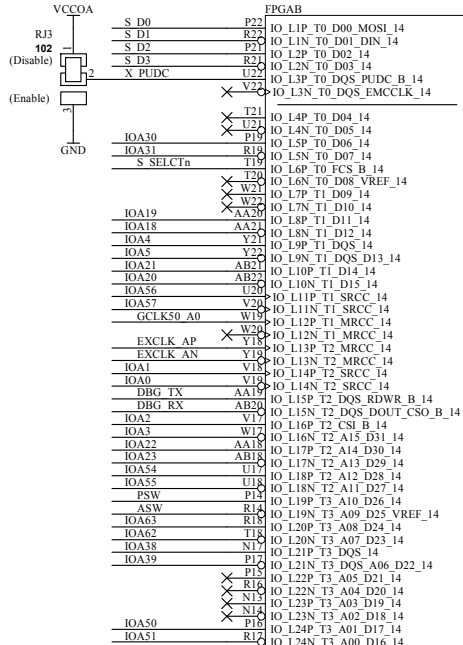
XCMI14R1-SCH-A1.pdf



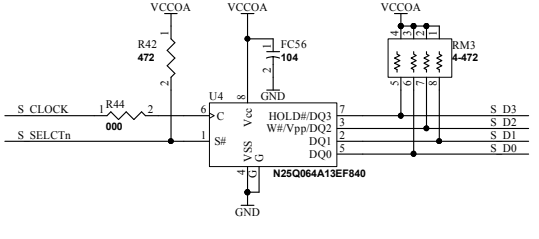
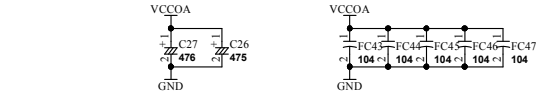
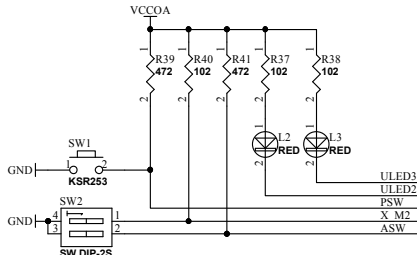
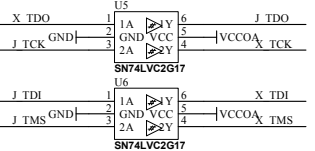
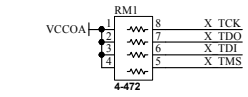
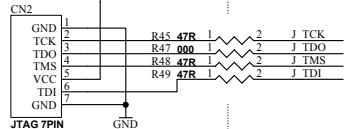
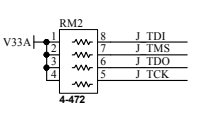
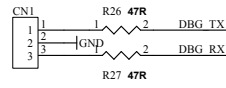
DSN:	TITLE: ARTIX-7 FBG484 FPGA Board
DOC. No:	XCM-114
FILE: FPGA-PW.sch	DATE: 2017/07/03 14:15:26
Sheet: 3 / 7	A1

V33A	V33A
VIO(B)	VIO(B)
VCCINT_10	VCCINT_10
VCCAUX_18	VCCAUX_18
VMGTAVTT_12	VMGTAVTT_12
VMGTAVCC_10	VMGTAVCC_10
VMGTCLK_10	VMGTCLK_10
VDDR	VDDR
VCCOB	VCCOB
VCCOA	VCCOA
GND	GND

IOA[0..63]	IOA[0..63]
GCLK50_A[0..11]	GCLK50_A[0..11]
X_PROG	X_PROG
EXCLK_AP	EXCLK_AP
EXCLK_AN	EXCLK_AN



NOT AVAILABLE FOR 35T/50T
XC7A35/50T/100T-FGG484



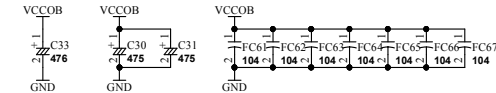
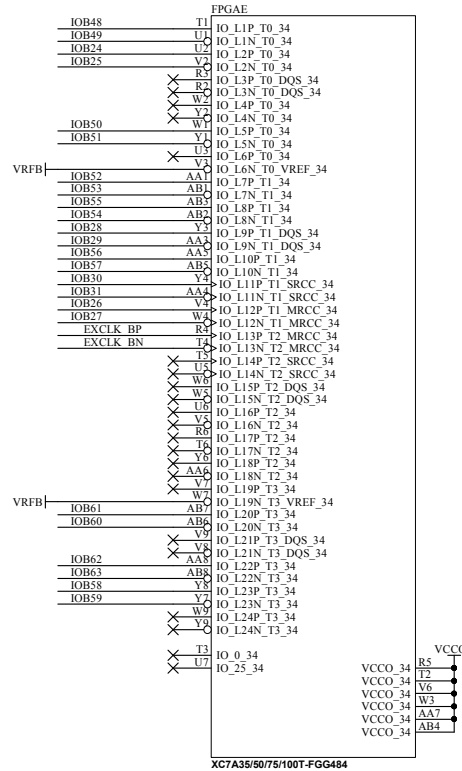
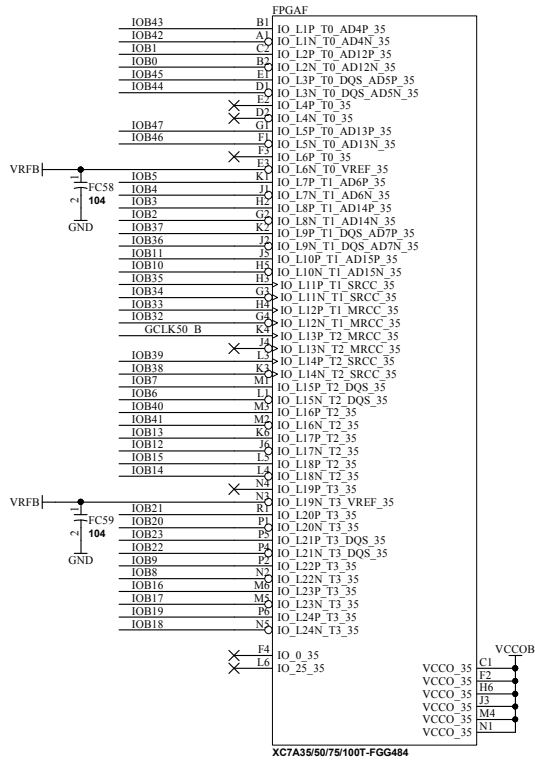
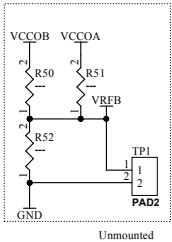
XCMI14R1-SCH-A1.pdf



DSN:	TITLE: ARTIX-7 FBG484 FPGA Board
DOC. No:	XCM-114
FILE: IOA_CONFIG.sch	DATE: 2017/07/03 14:15:26
Sheet: 4 / 7	A1

V33A	V33A
VIO(B)	VIO(B)
VCCINT_10	VCCINT_10
VCCAUX_18	VCCAUX_18
VMGTAVTT_12	VMGTAVTT_12
VMGTAVCC_10	VMGTAVCC_10
VMGTCLK	VMGTCLK
VDDR	VDDR
VDDR	VCCOB
VCCOB	VCCOA
VCCOA	VCCOA
GND	GND

IOB[0..63]	IOBIO_63I
GCLK50 B	GCLK50 B
EXCLK BP	EXCLK BP
EXCLK BN	EXCLK BN

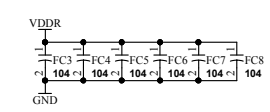
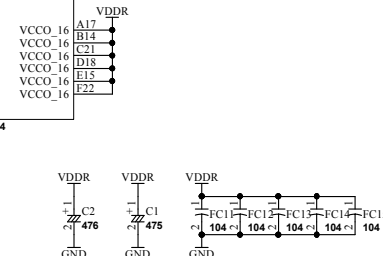
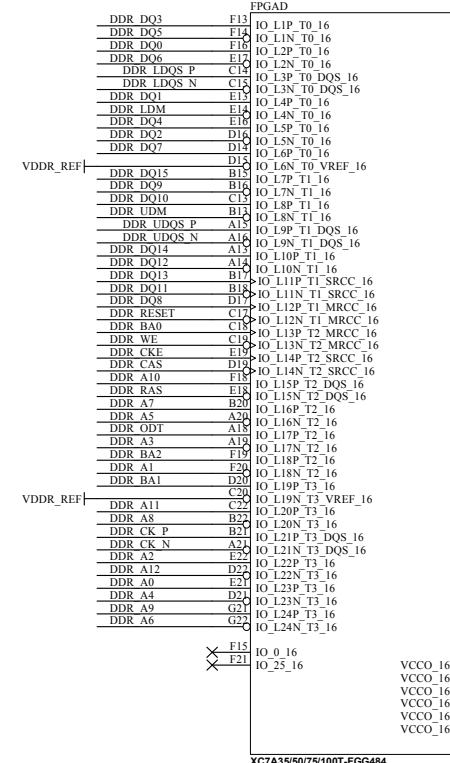
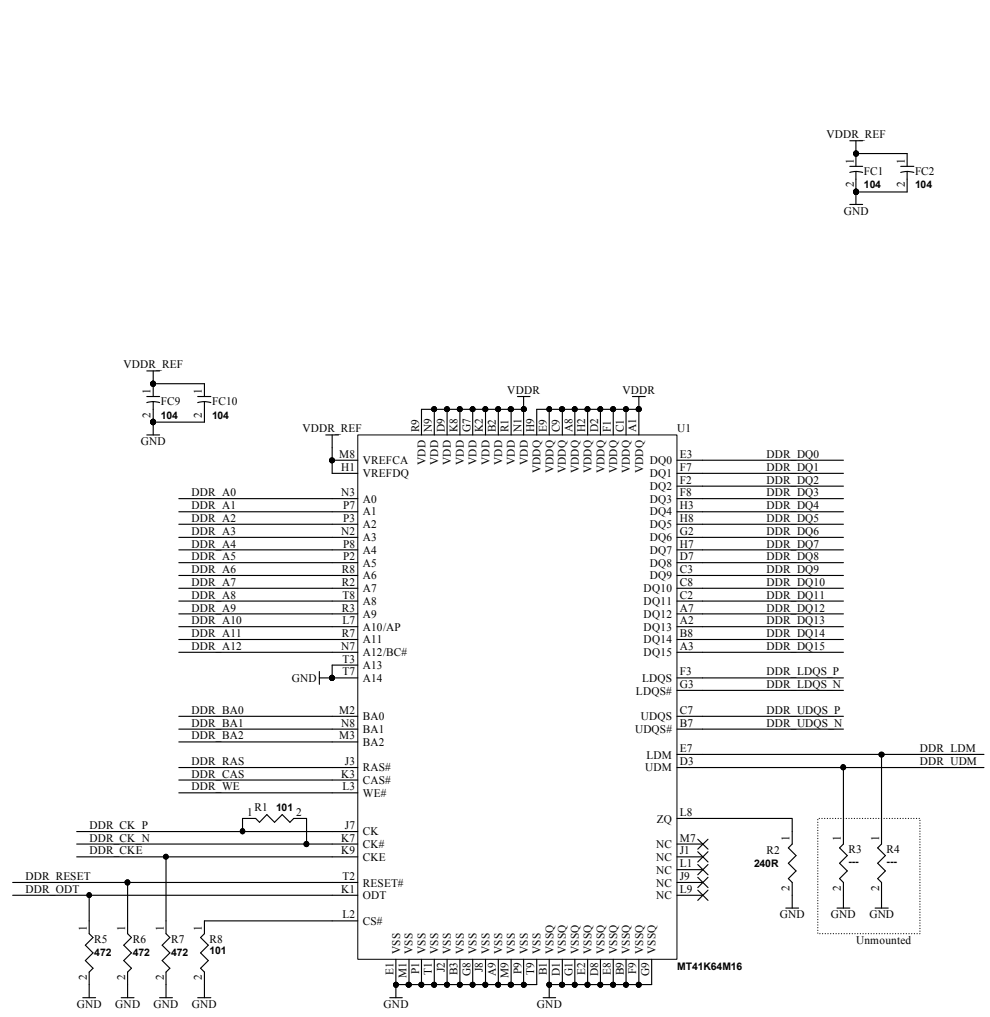


XCMI14R1-SCH-A1.pdf



DSN:	TITLE: ARTIX-7 FBG484 FPGA Board	
DOC. No:	XCM-114	A1
FILE: IOB.SCH	DATE: 2017/07/03 14:15:26	Sheet: 5 / 7

V33A	V33A
VIO(B)	VIO(B)
VCCINT_10	VCCINT_10
VCCAUX_18	VCCAUX_18
VMGTAVTT_12	VMGTAVTT_12
VMGTAVCC_10	VMGTAVCC_10
VMGTCLK	VMGTCLK
VDDR	VDDR
VCCOB	VCCOB
VCCOA	VCCOA
GND	GND



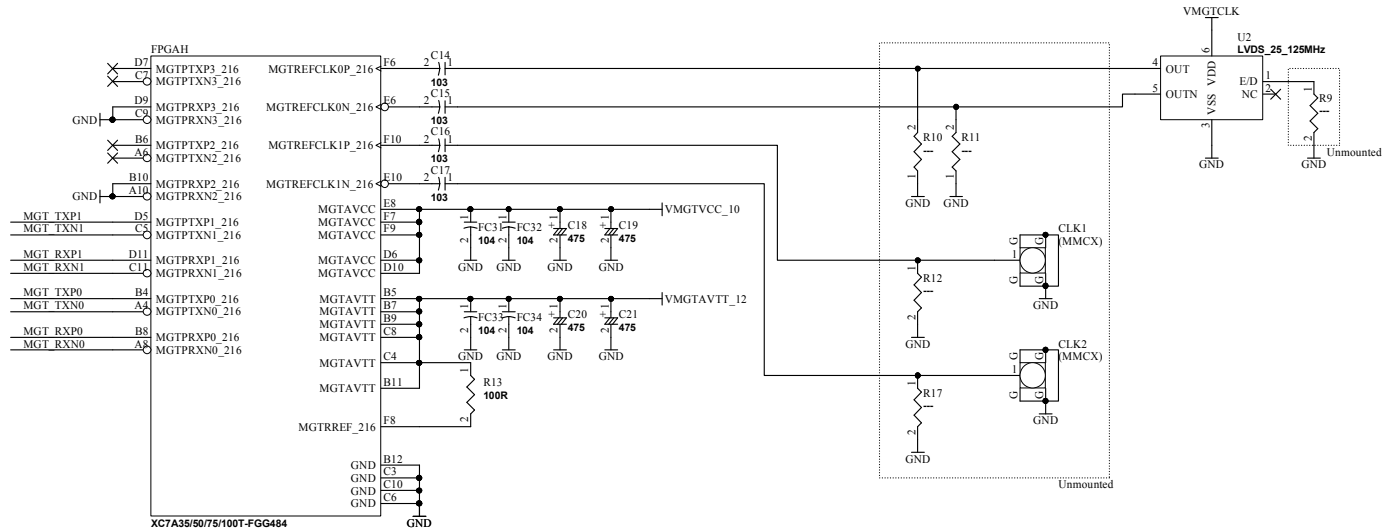
XCMI14R1-SCH-A1.pdf



DSN:	TITLE: ARTIX-7 FBG484 FPGA Board
DOC. No:	XCM-114
FILE: DDR3.SCH	DATE: 2017/07/03 14:15:27
Sheet: 6 / 7	A1

V33A	V33A
VIO(B)	VIO(B)
VCCINT_10	VCCINT_10
VCCAUX_18	VCCAUX_18
VMGTAVTT_12	VMGTAVTT_12
VMGTAVCC_10	VMGTAVCC_10
VMGTCLK	VMGTCLK
VDDR	VDDR
VCCOB	VCCOB
VCCOA	VCCOA
GND	GND

MGT_TXP0_11	MGT_TXP0_11
MGT_TXN0_11	MGT_TXN0_11
MGT_RXP0_11	MGT_RXP0_11
MGT_RXN0_11	MGT_RXN0_11



XCMI14R1-SCH-A1.pdf

HUMAN DATA
 HuMANDATA LTD.
 www.hdl.co.jp

DSN:	TITLE: ARTIX-7 FBG484 FPGA Board
DOC. No:	XCM-114
FILE: GTP.SCH	DATE: 2017/07/03 14:15:27
Sheet: 7 / 7	A1

V5.20150107