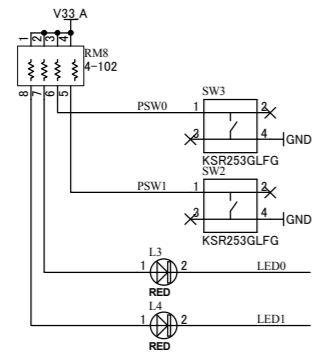
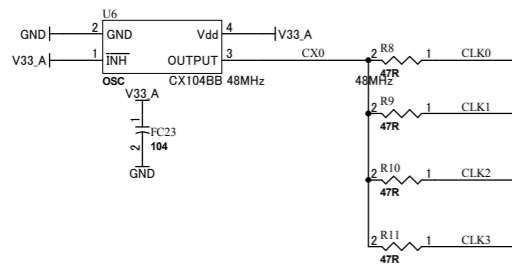
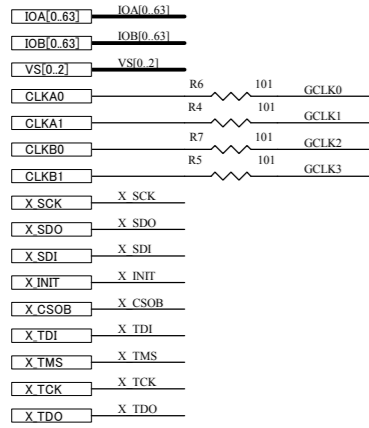
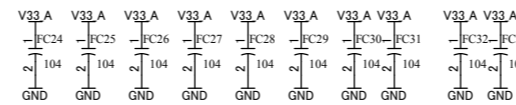
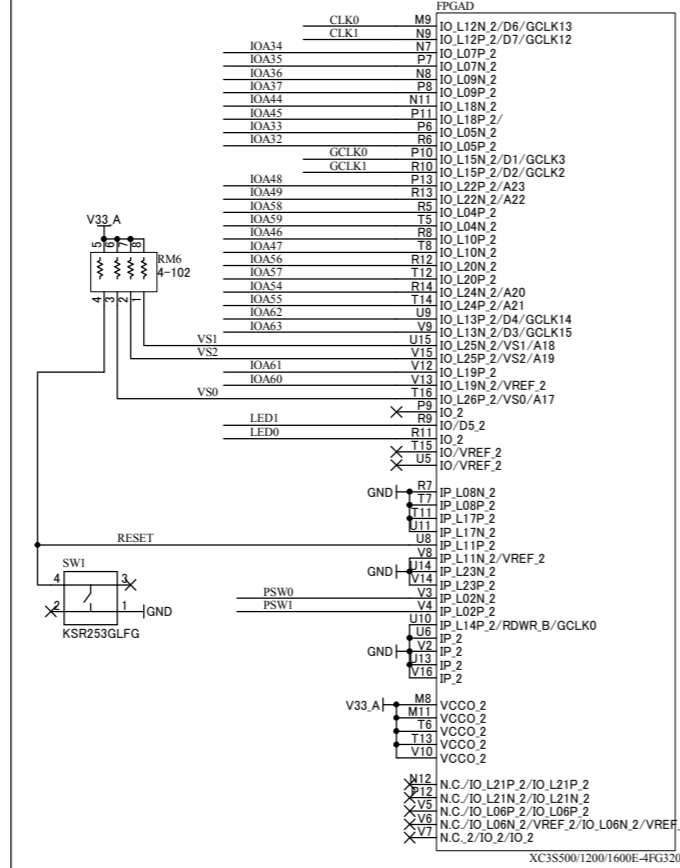


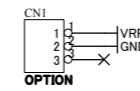
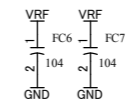
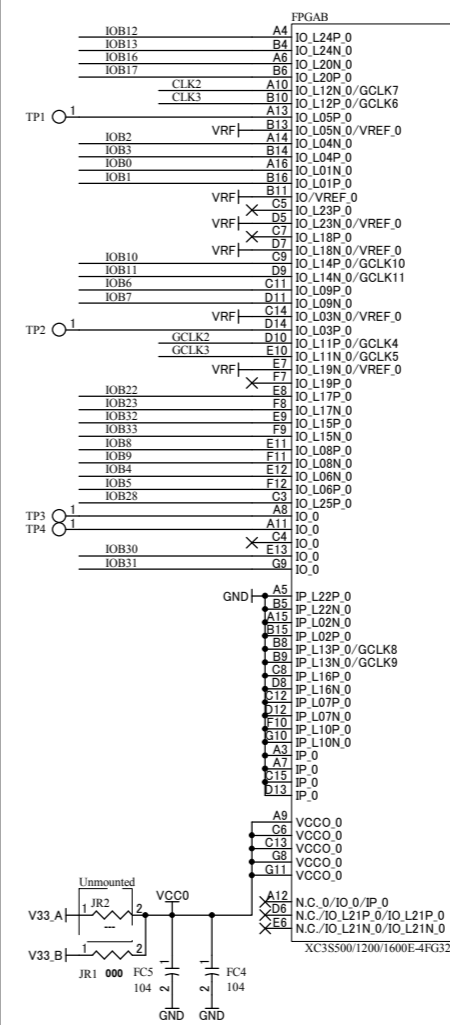
V12 V12
V25 V25
V33 A V33 A
V33 B V33 B
VRF VRF
GND GND



Bank A



Bank B



		2010/09/03	
		SPARTAN-3E FPGA MODULE	
HuMANDATA LTD. OSAKA JAPAN www.hdl.co.jp		DOC. No.	XCM-106
Date:	3-Sep-2010	File:	VP_IO.sch
	09:52:11	Sheet	2 of 2