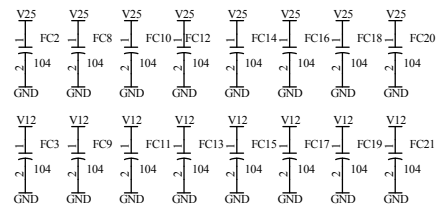
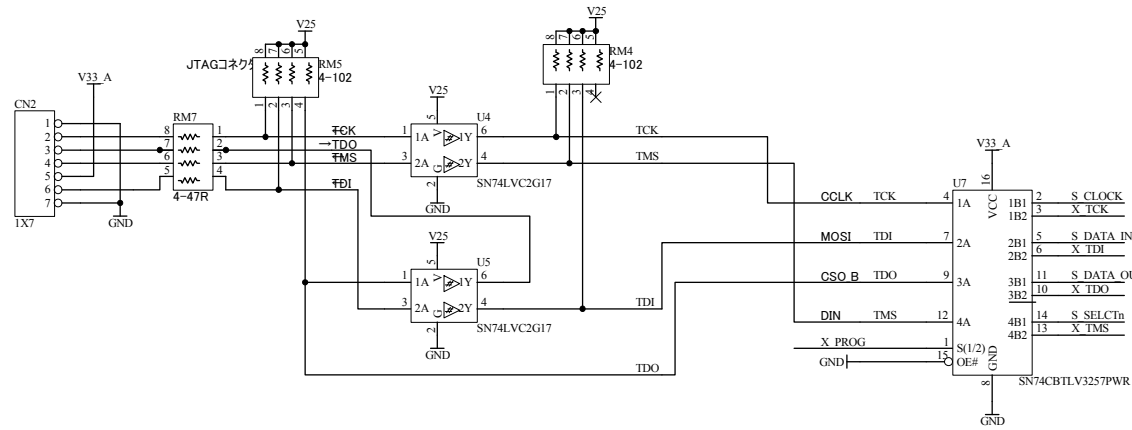
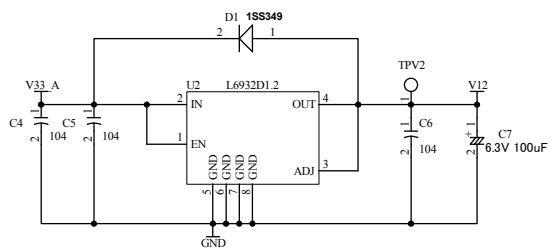
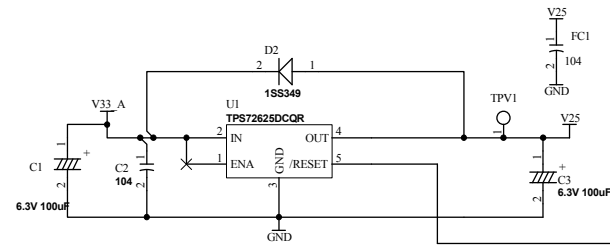
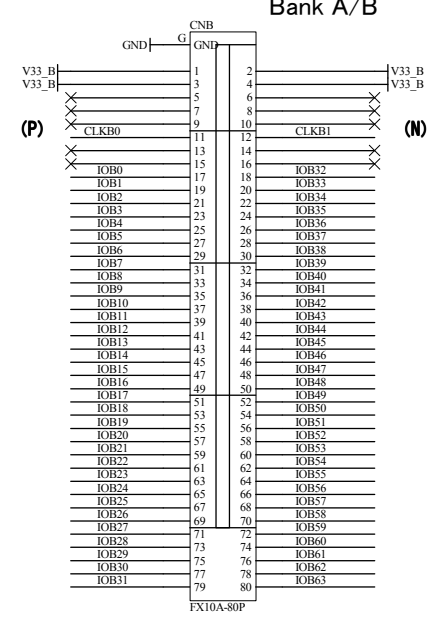
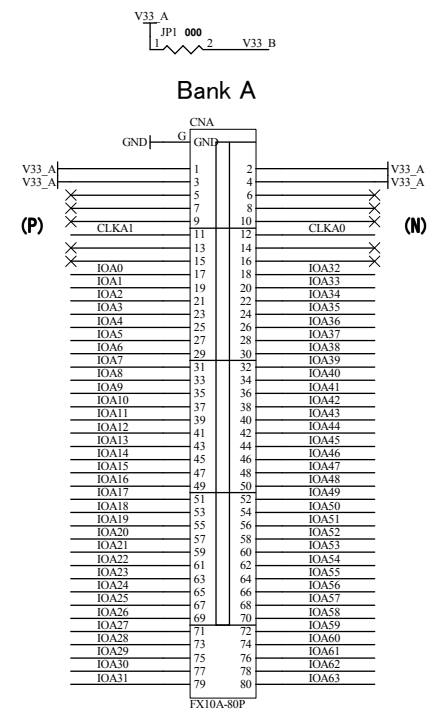
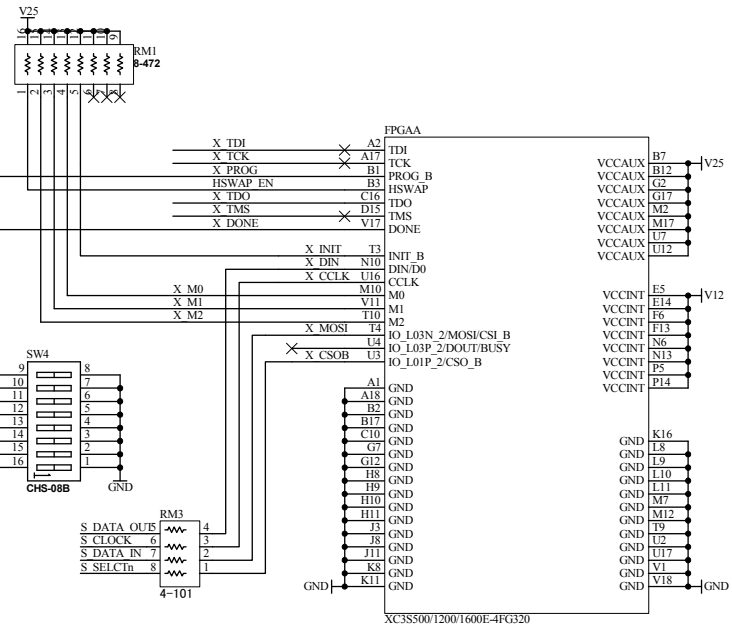
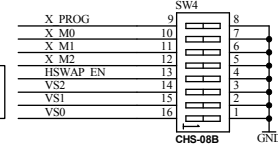


V12	V12
V25	V25
V33 A	V33 A
V33 B	V33 B
VRF	VRF
GND	GND



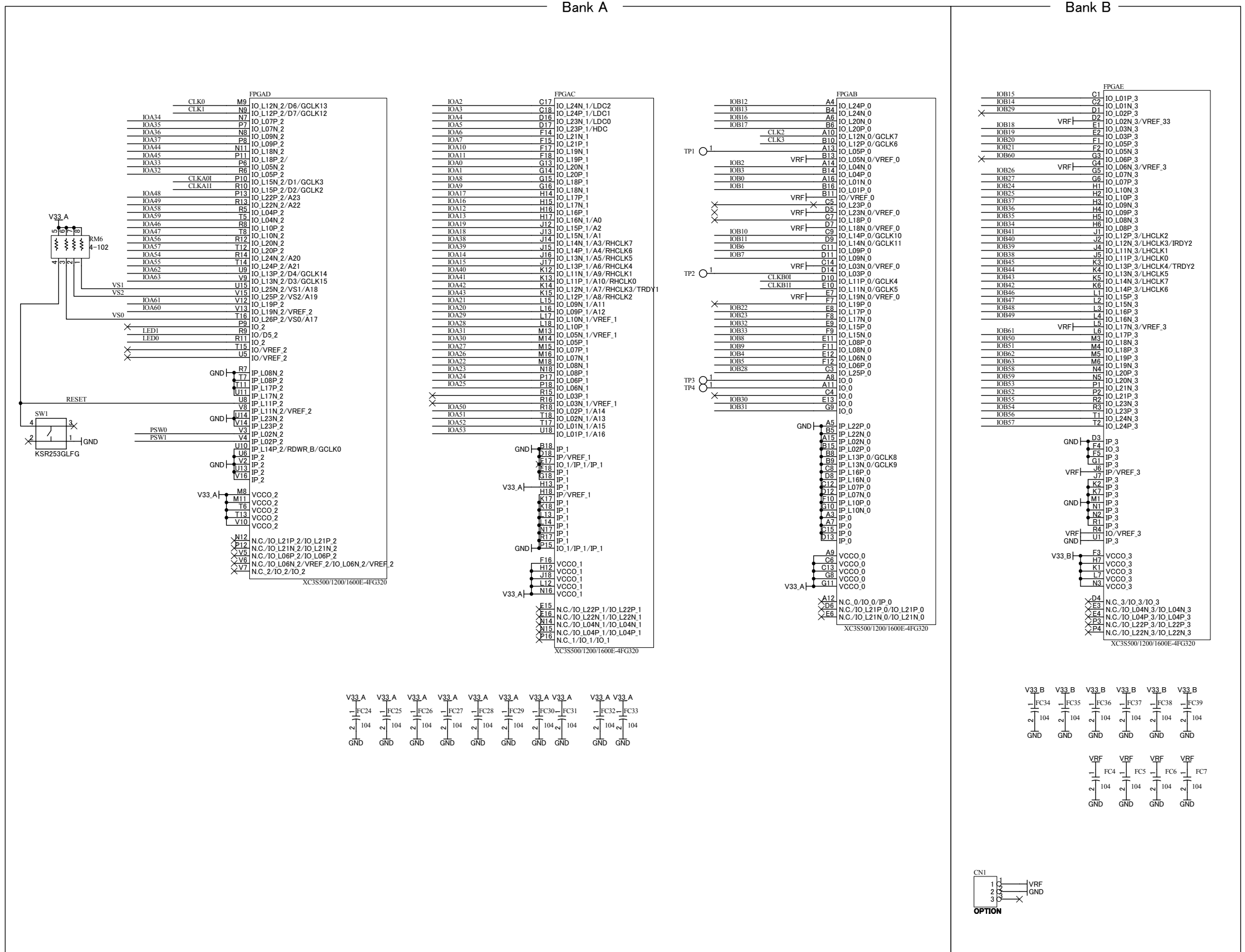
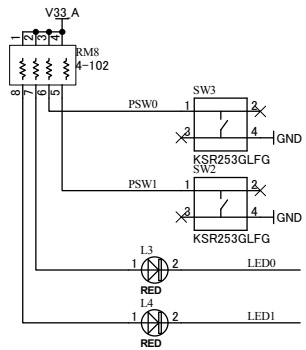
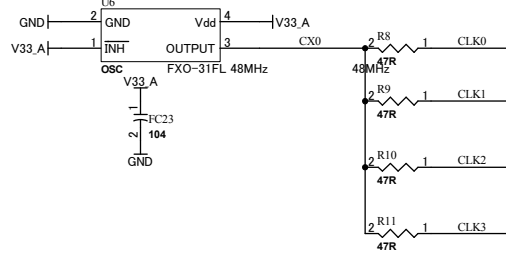
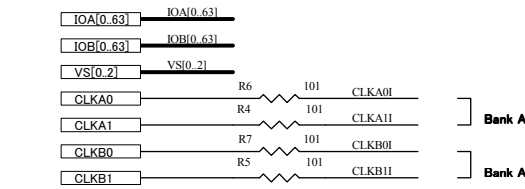
**SW4-8**  
 X\_PROG=H : JTAG(FPGA)  
 X\_PROG=L : DIRECT SPI



VP_IO	VP_IOsch
IOA10_63	IOA[0..63]
IOB10_63	IOB[0..63]
CLKA0	CLKA0
CLKA1	CLKA1
CLKB0	CLKB0
CLKB1	CLKB1
X_SCK	X_SCK
X_SDO	X_SDO
X_SDI	X_SDI
X_INIT	X_INIT
X_CS0B	X_CS0B
X_TDI	X_TDI
X_TMS	X_TMS
X_TCK	X_TCK
X_TDO	X_TDO
VS0_2	VS[0..2]

	2007/08/31	SPARTAN-3E FPGA MODULE	
	HuMANDATA LTD. OSAKA JAPAN www.hdl.co.jp		
Date: 31-Aug-2007	13:41:37	File: XCM106B.sch	Sheet 1 of 2

V12	V12
V25	V25
V33_A	V33_A
V33_B	V33_B
VRF	VRF
GND	GND



**HUMAN DATA**

HuMANDATA LTD.  
OSAKA JAPAN  
www.hdl.co.jp

SPARTAN-3E FPGA MODULE

Date: 31-Aug-2007 13:41:37

File: VP\_IO.sch

DOC. No.

XCM-106

B1

Sheet 2 of 2