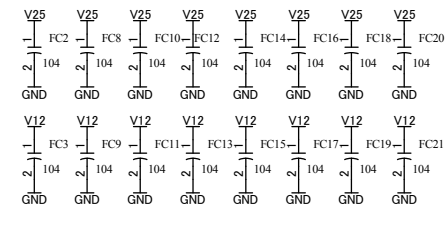
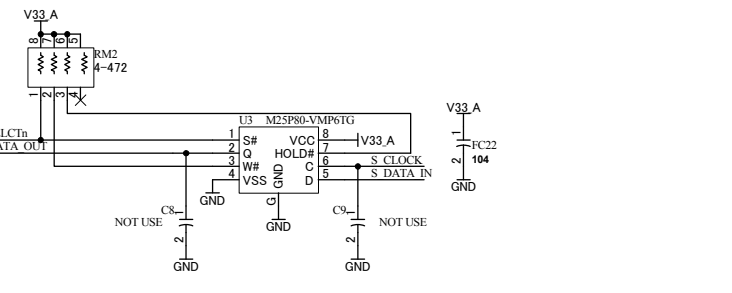
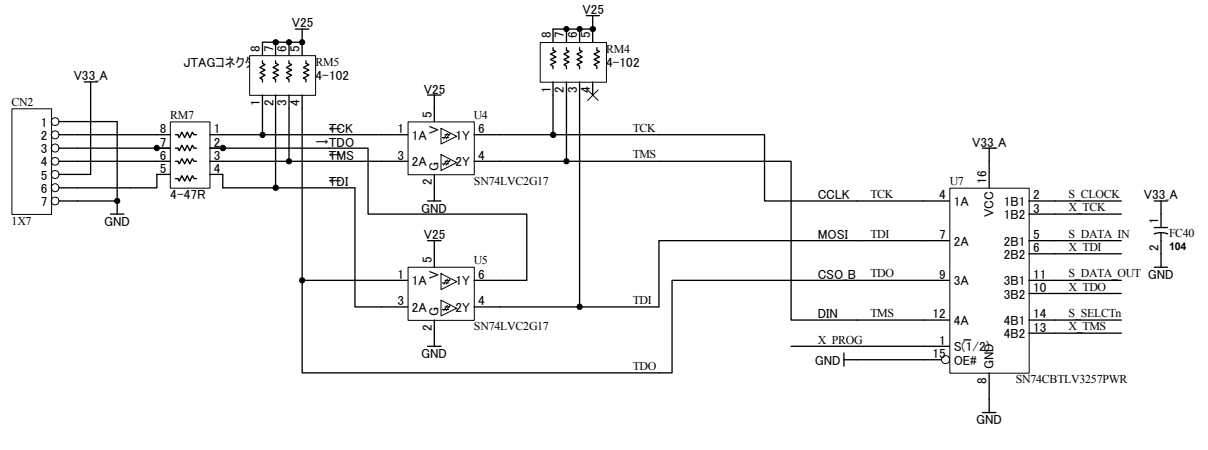
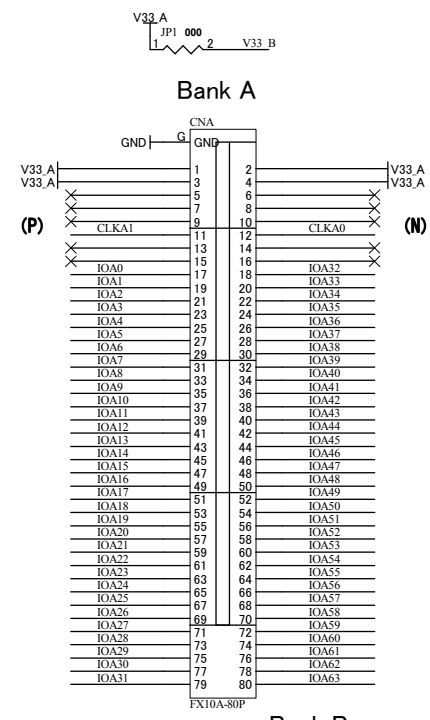
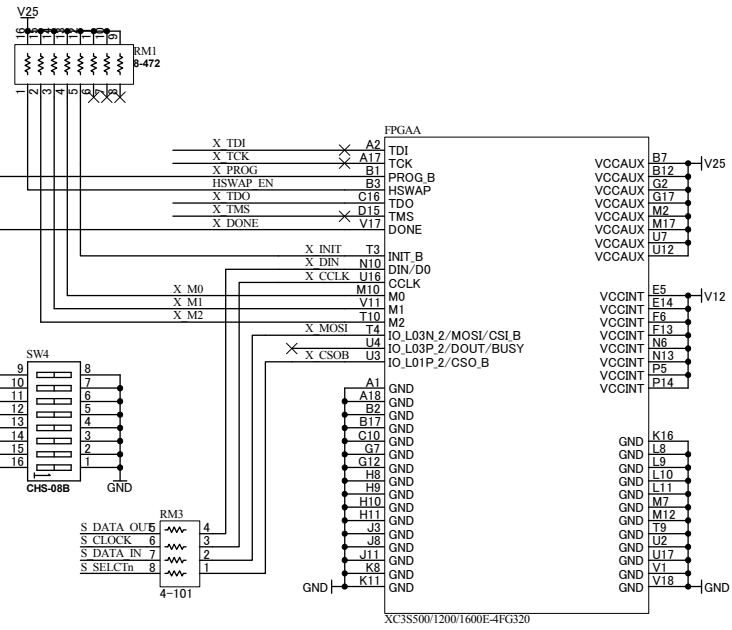
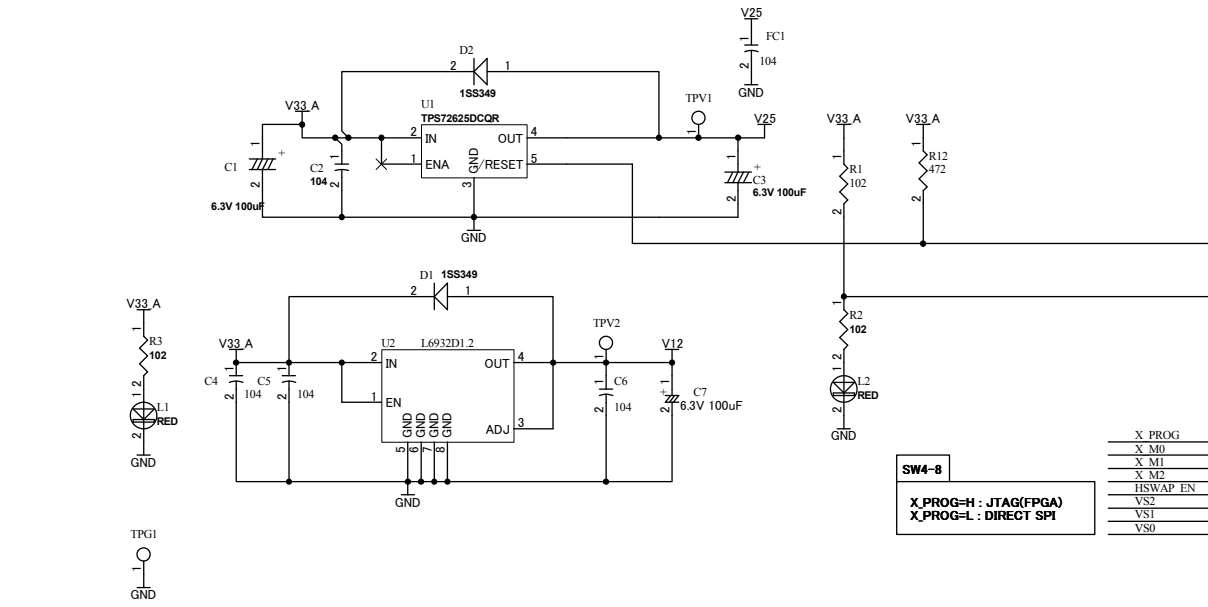


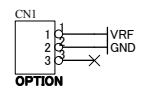
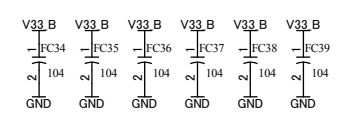
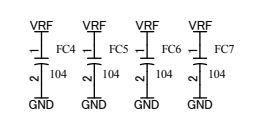
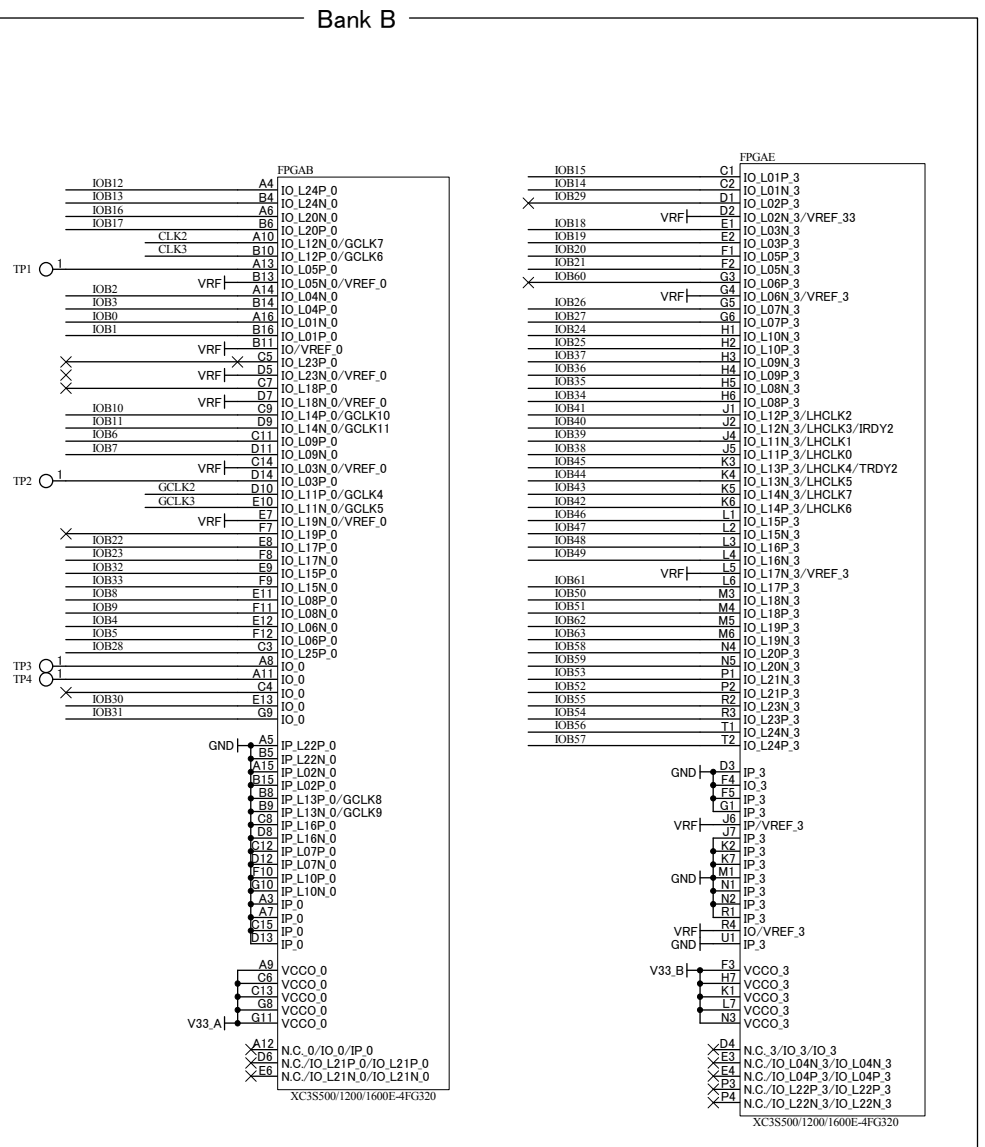
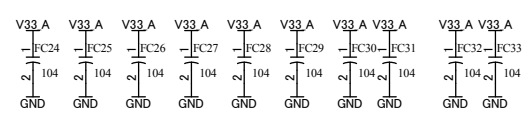
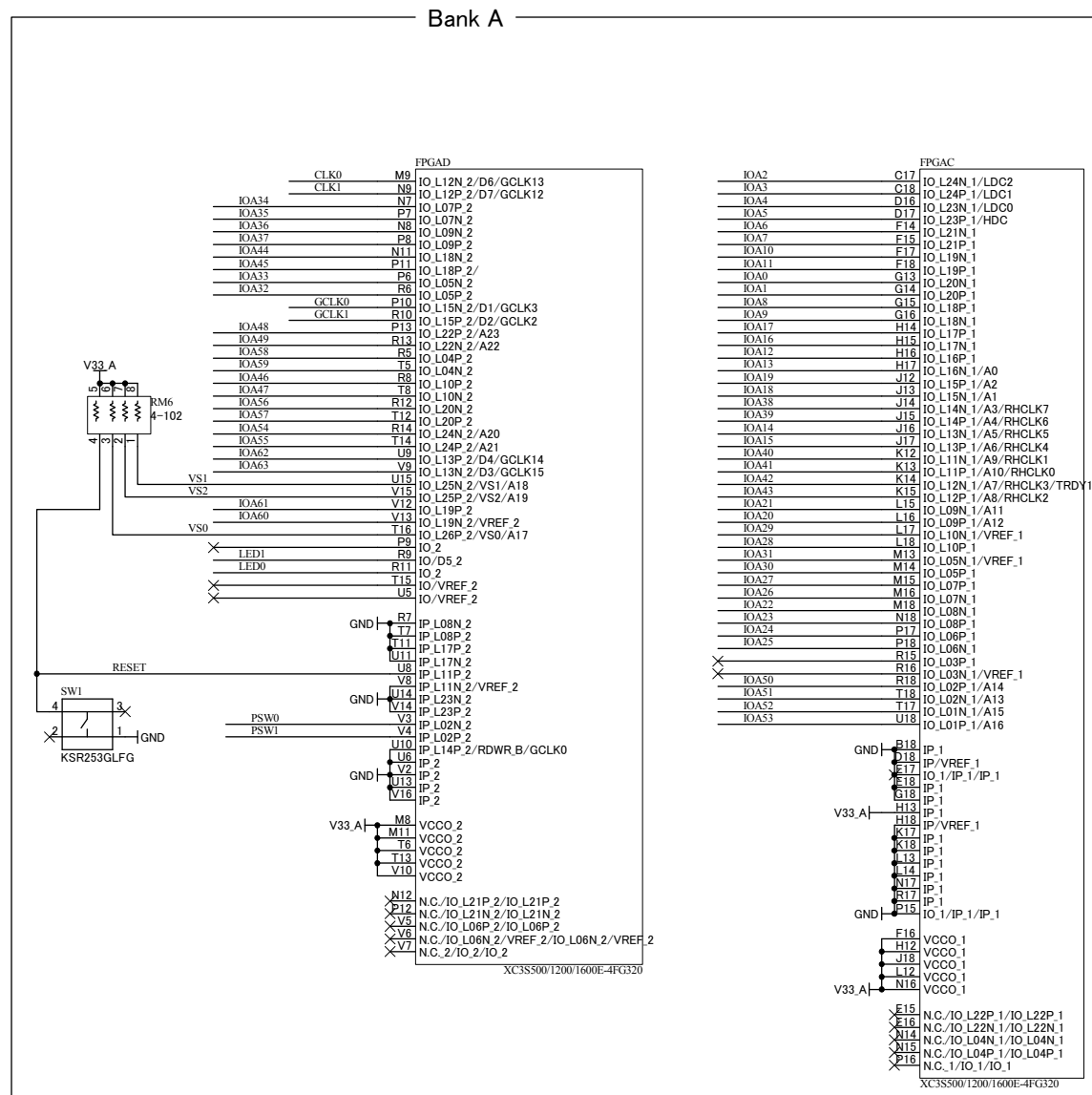
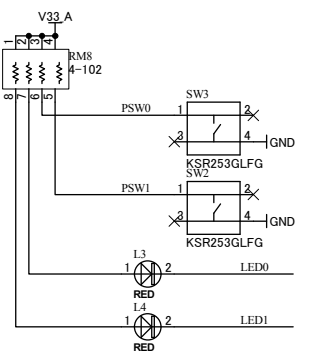
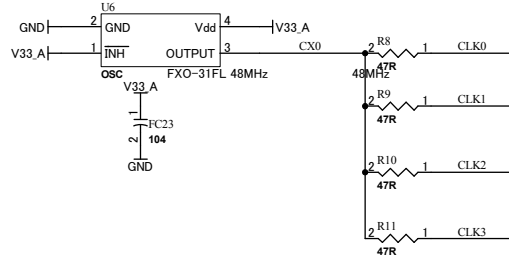
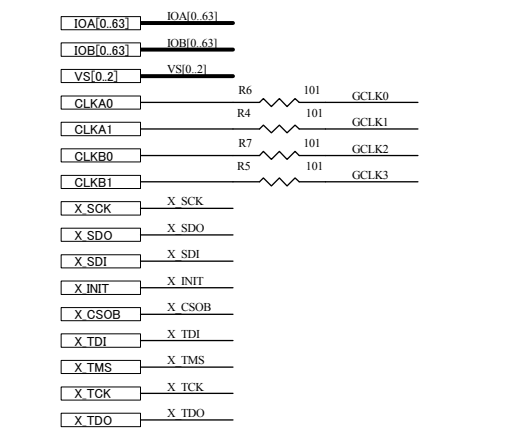
V12	V12
V25	V25
V33 A	V33 A
V33 B	V33 B
VRF	VRF
GND	GND



VP_IO	VP_IOsch
IOA10..63	IOA[0..63]
IOB10..63	IOB[0..63]
CLKA0	CLKA0
CLKA1	CLKA1
CLKB0	CLKB0
CLKB1	CLKB1
X_SCK	X_SCK
X_SDO	X_SDO
X_SDI	X_SDI
X_INIT	X_INIT
X_CS0B	X_CS0B
X_TDI	X_TDI
X_TMS	X_TMS
X_TCK	X_TCK
X_TDO	X_TDO
VS[0..2]	VS[0..2]

	2007/04/21		
	HuMANDATA LTD. OSAKA JAPAN www.hdl.co.jp	SPARTAN-3E FPGA MODULE	
Date: 21-Apr-2007	11:41:23	DOC. No. XCM-106	B
File: XCM106B.sch		Sheet 1 of 2	

V12	V12
V25	V25
V33_A	V33_A
V33_B	V33_B
VRF	VRF
GND	GND



	2007/04/21	SPARTAN-3E FPGA MODULE	
	HuMANDATA LTD. OSAKA JAPAN www.hdl.co.jp		
Date: 21-Apr-2007	11:41:23	File: VP_IO.sch	Sheet 2 of 2