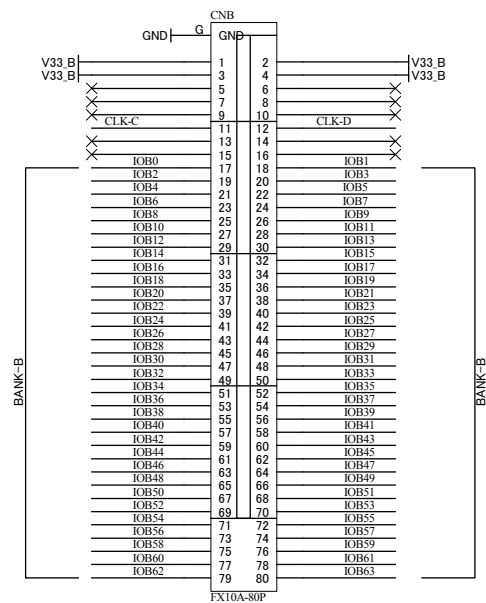
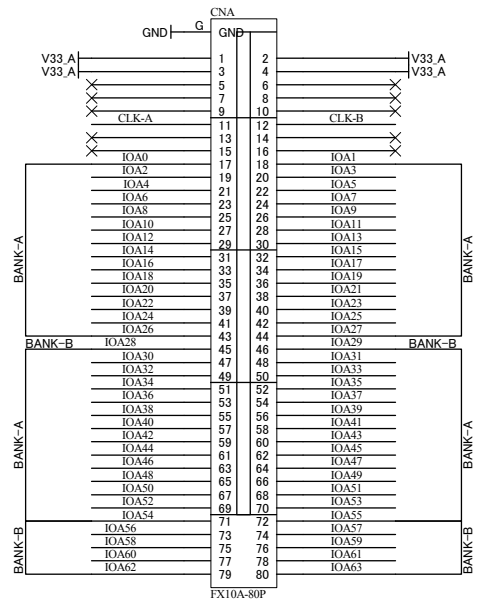
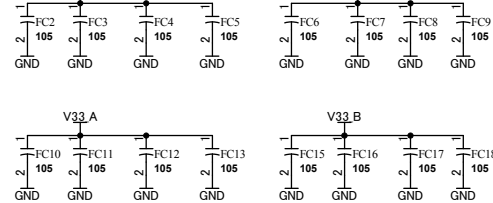
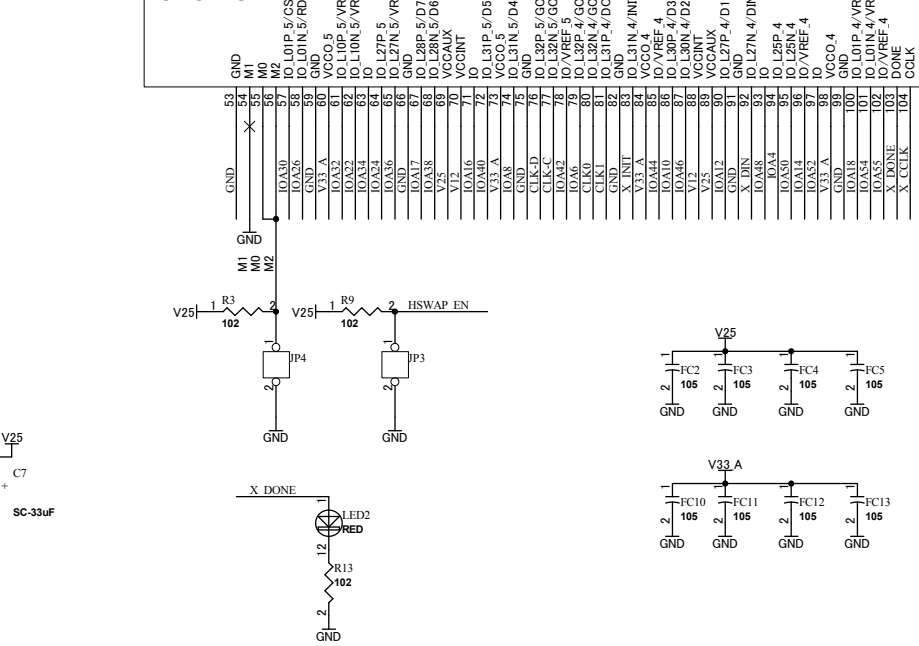
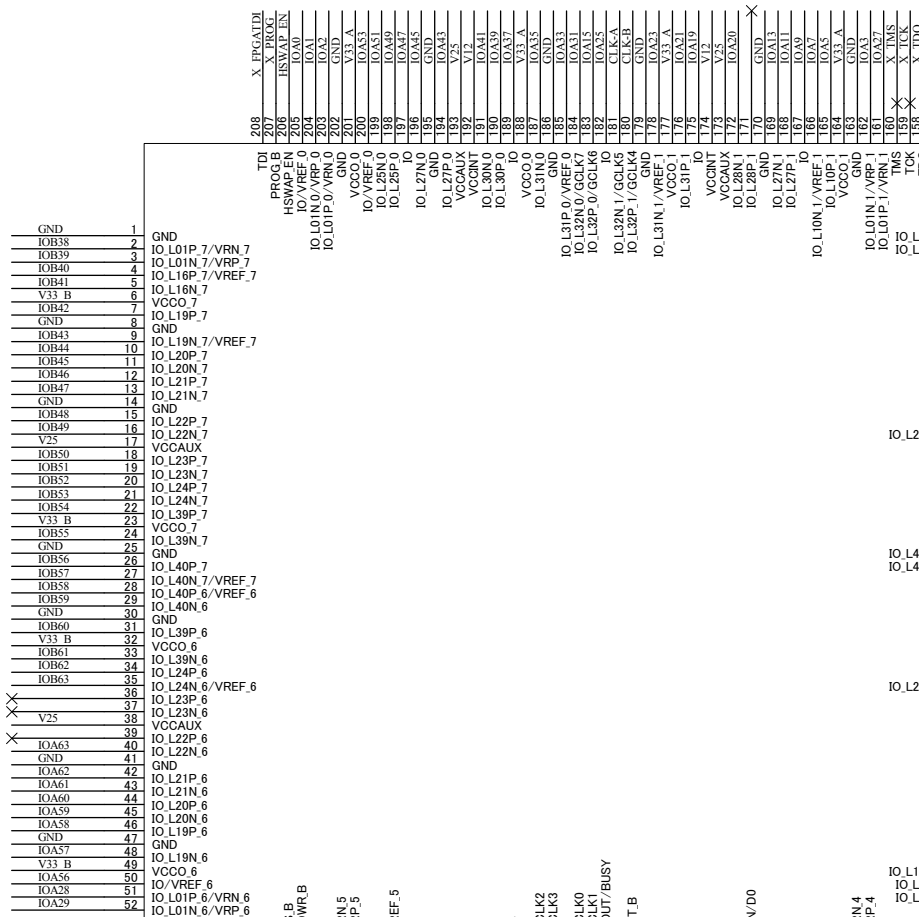
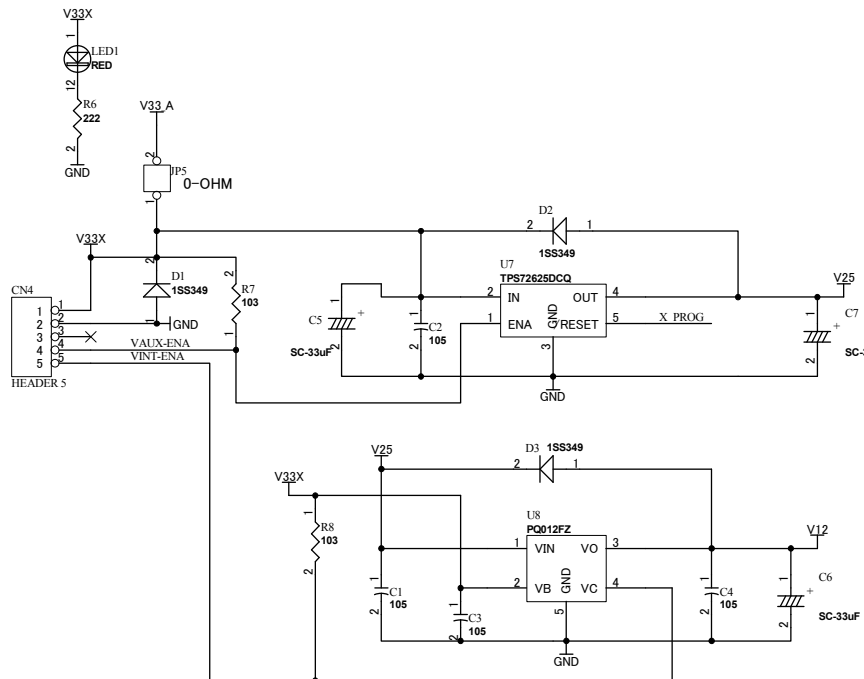
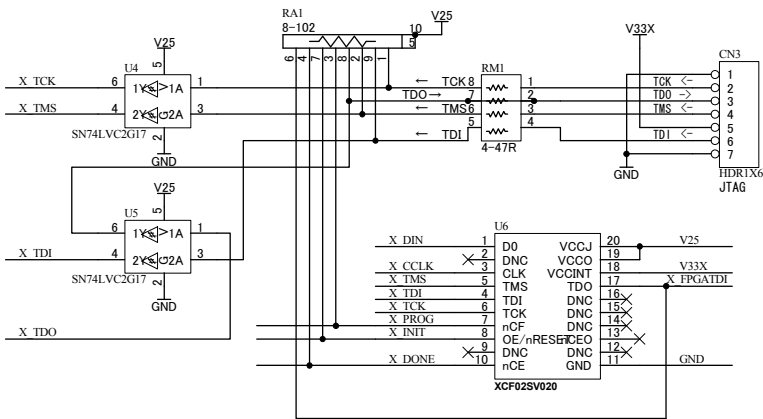
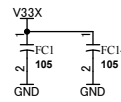
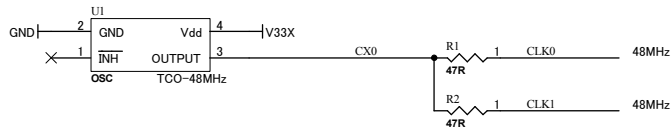


V12  
V25  
V33\_A  
V50  
GND



<b>HUMAN DATA</b>		2006/01/12	
HuMANDATA LTD. OSAKA JAPAN www.hdl.co.jp		SP3 FPGA BOARD(HARF SIZE)	
Date:	12-Jan-2006	File:	XCM101B.sch
DOC. No.	XCM-101	Sheet	1 of 1