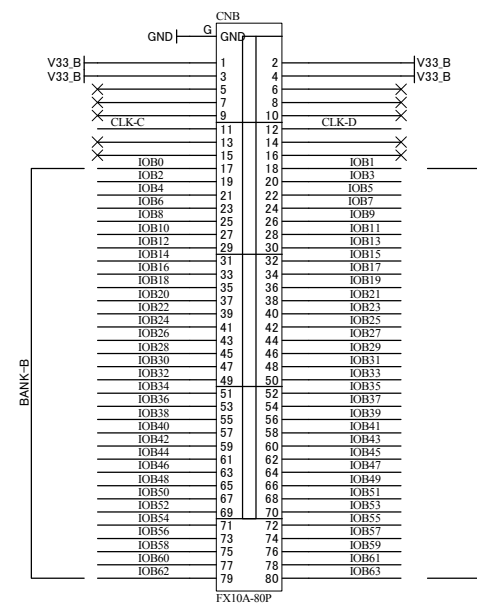
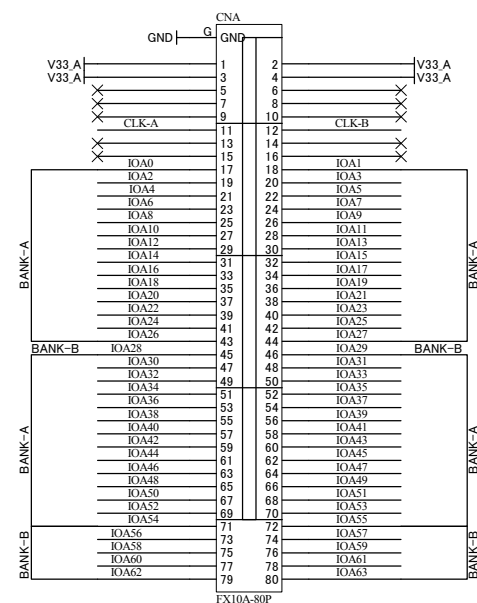
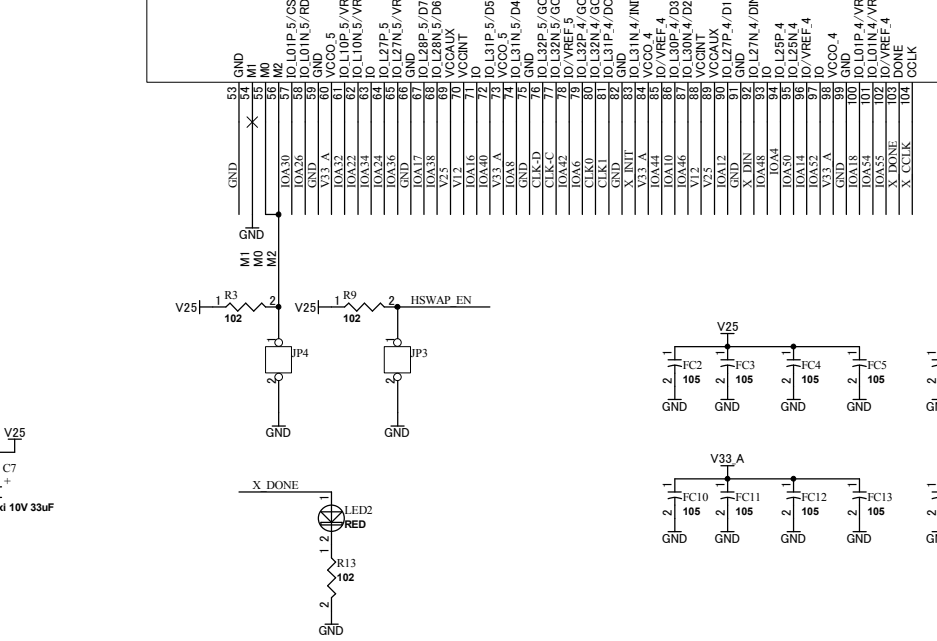
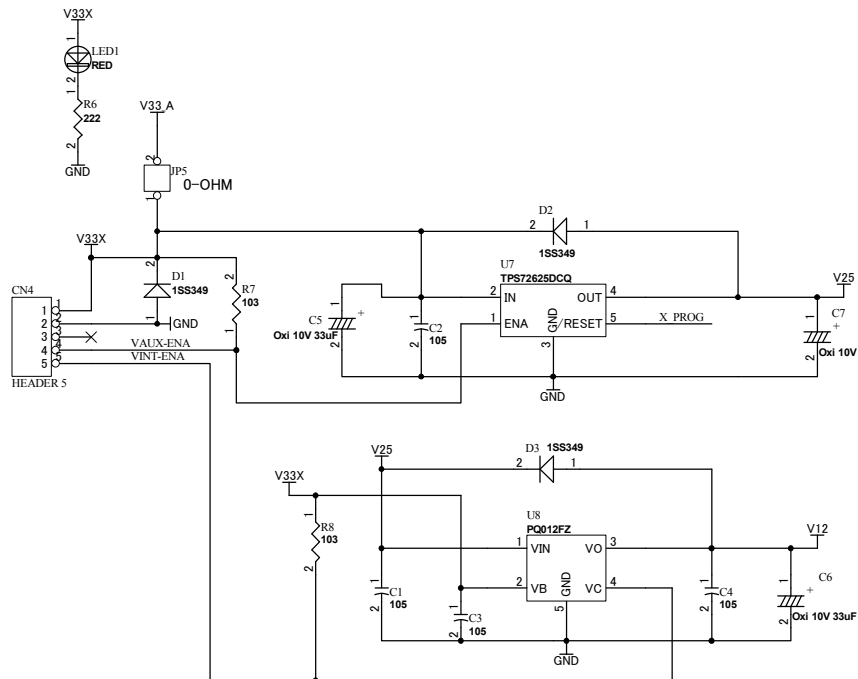
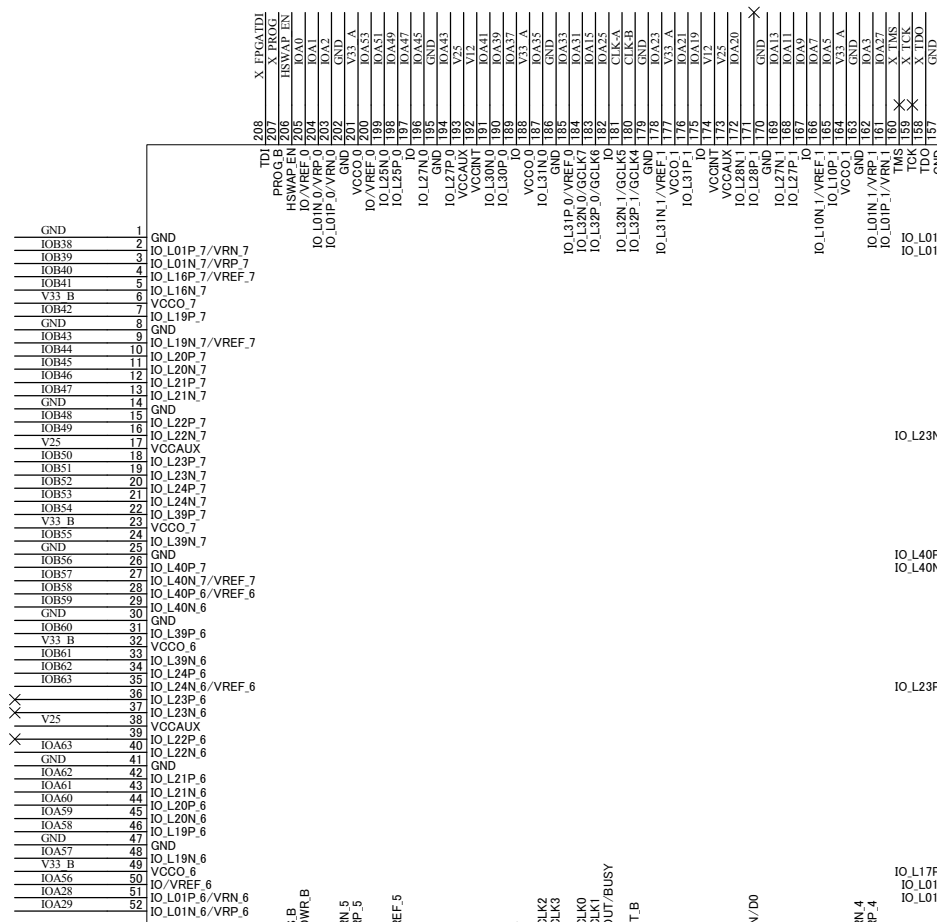
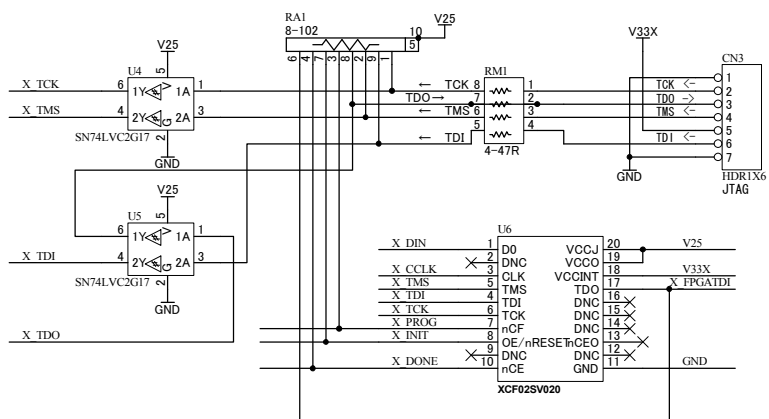
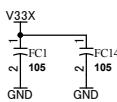
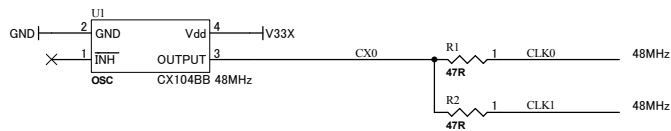


V12
V25
V33 A
V50
GND



		2008/10/15	
		HuMANDATA LTD. OSAKA JAPAN www.hdl.co.jp	
Date: 15-Oct-2008 13:37:43		File: XCM101B.sch	
		Sheet 1 of 1	
SP3 FPGA BOARD(HARF SIZE)		DOC. No. XCM-101	B1