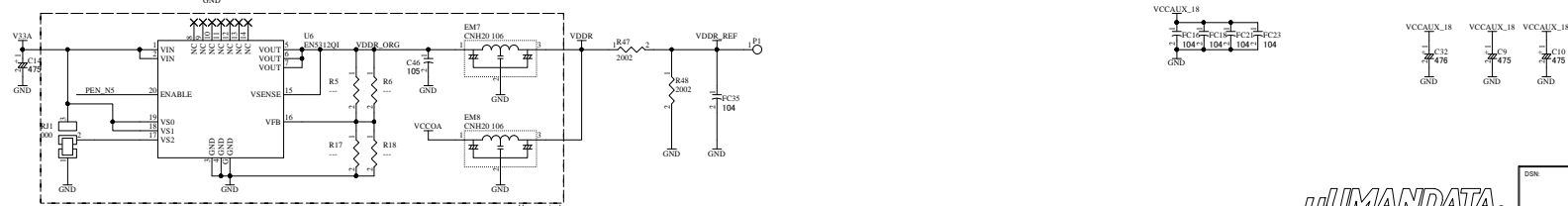
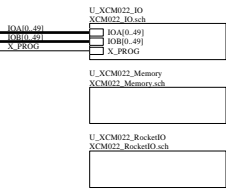
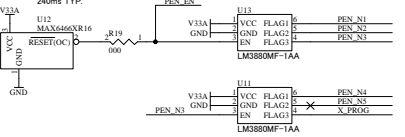
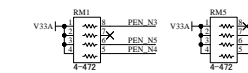
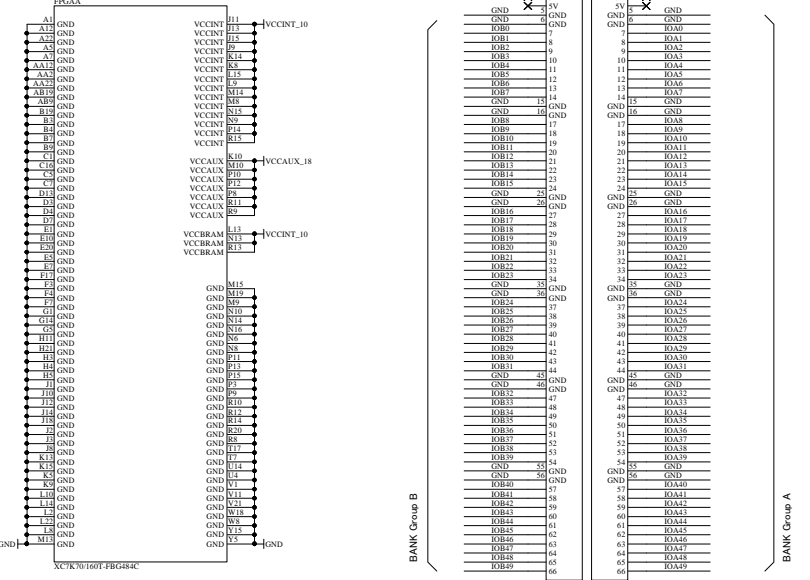
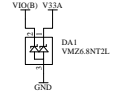
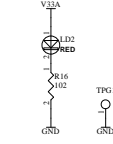
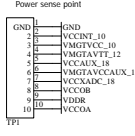
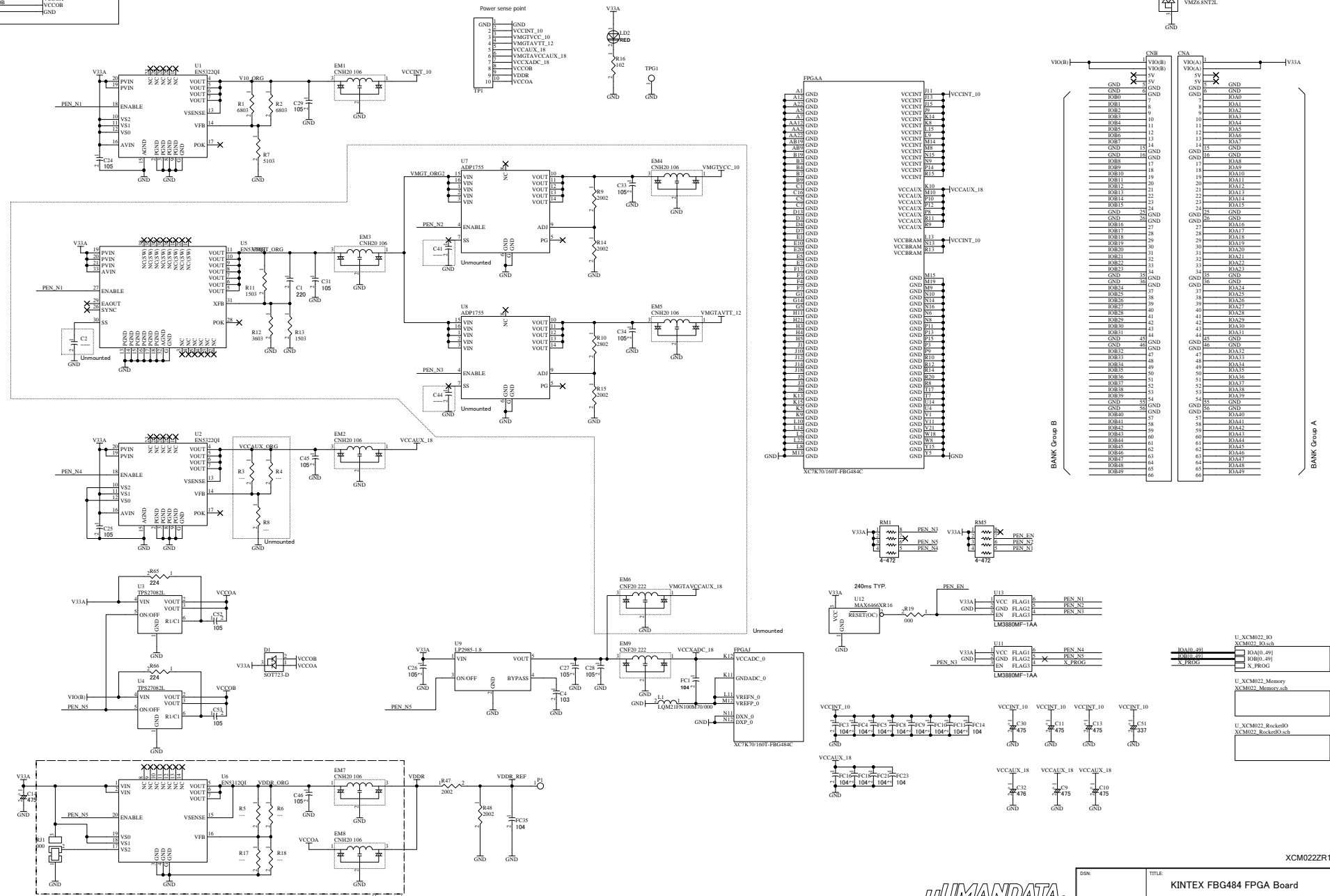


V33A	V33A
VFB0	VFB0
VCCINT_10	VCCINT_10
VMGT_VCC_10	VMGT_VCC_10
VMGT_VTT_12	VMGT_VTT_12
VCCAUX_18	VCCAUX_18
VCCAUX_18	VCCAUX_18
VCCAUX_18	VCCAUX_18
VCCAUX_18	VCCAUX_18
VCCAUX_18	VCCAUX_18
VCCAUX_18	VCCAUX_18
VCCOA	VCCOA
VCCOB	VCCOB
GND	GND

[POWER]



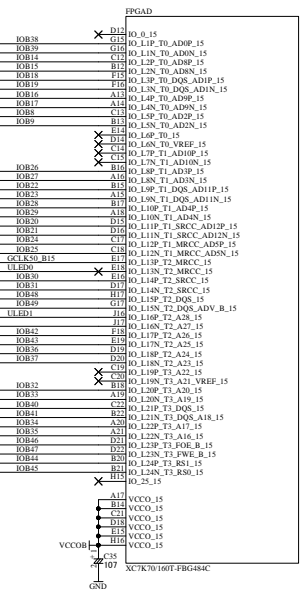
XCM022ZR1-SCH-E.pdf



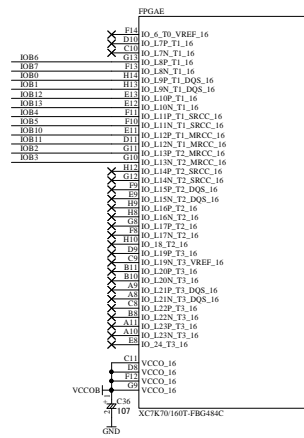
DS#	TITLE	KINTEX FBG484 FPGA Board	
DOC. No.	XCM-022	E	
FILE	XCM022E.sch	DATE	2015/07/14 10:43:00
		Sheet	1 / 4

VS-3039101

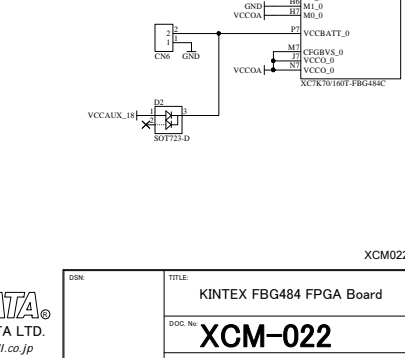
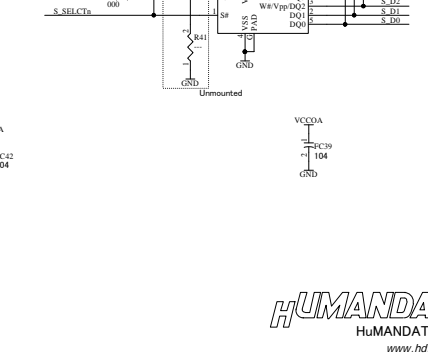
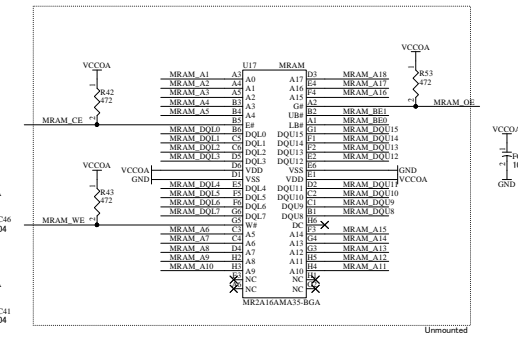
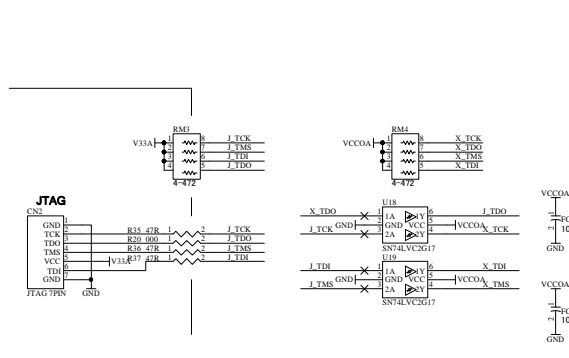
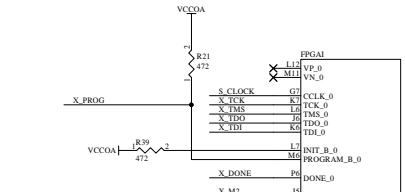
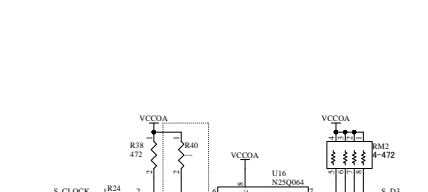
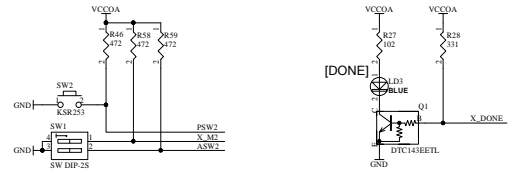
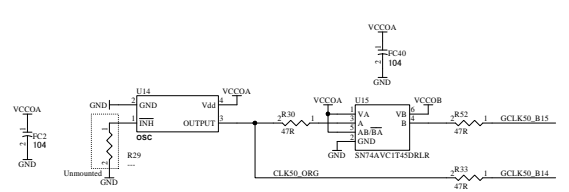
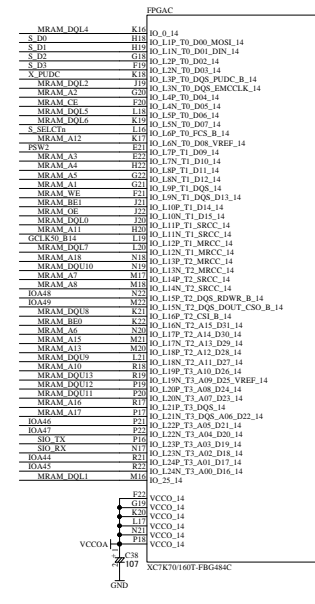
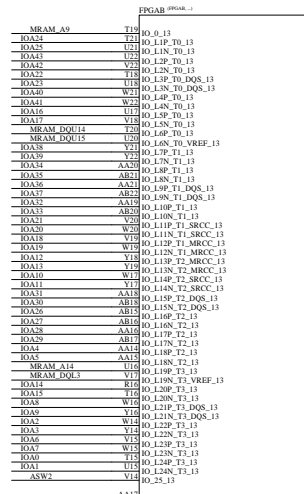
V33A	V33A
VFB0	VFB0
VCCINT_10	VCCINT_10
VMGT_VCC_10	VMGT_VCC_10
VMGT_VT_12	VMGT_VT_12
VMGTAVCCAX_18	VMGTAVCCAX_18
VCCAX_18	VCCAX_18
VCCAXC_18	VCCAXC_18
V33A	V33A
VCC0A	VCC0A
VCC0B	VCC0B
GND	GND



BANK Group B



BANK Group A

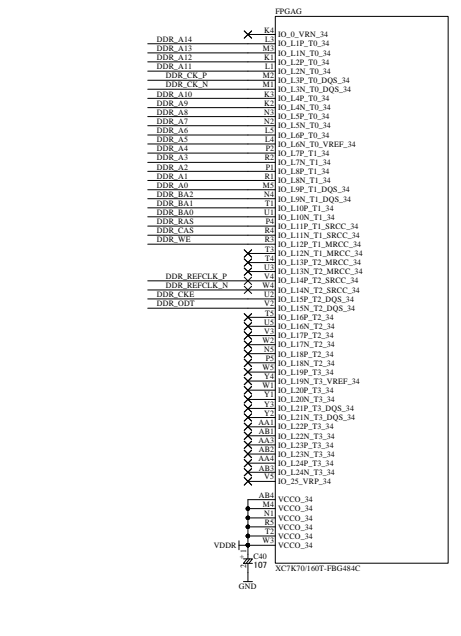
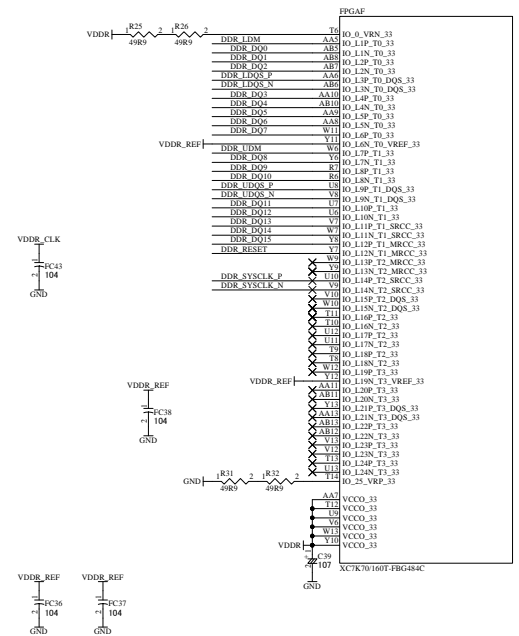
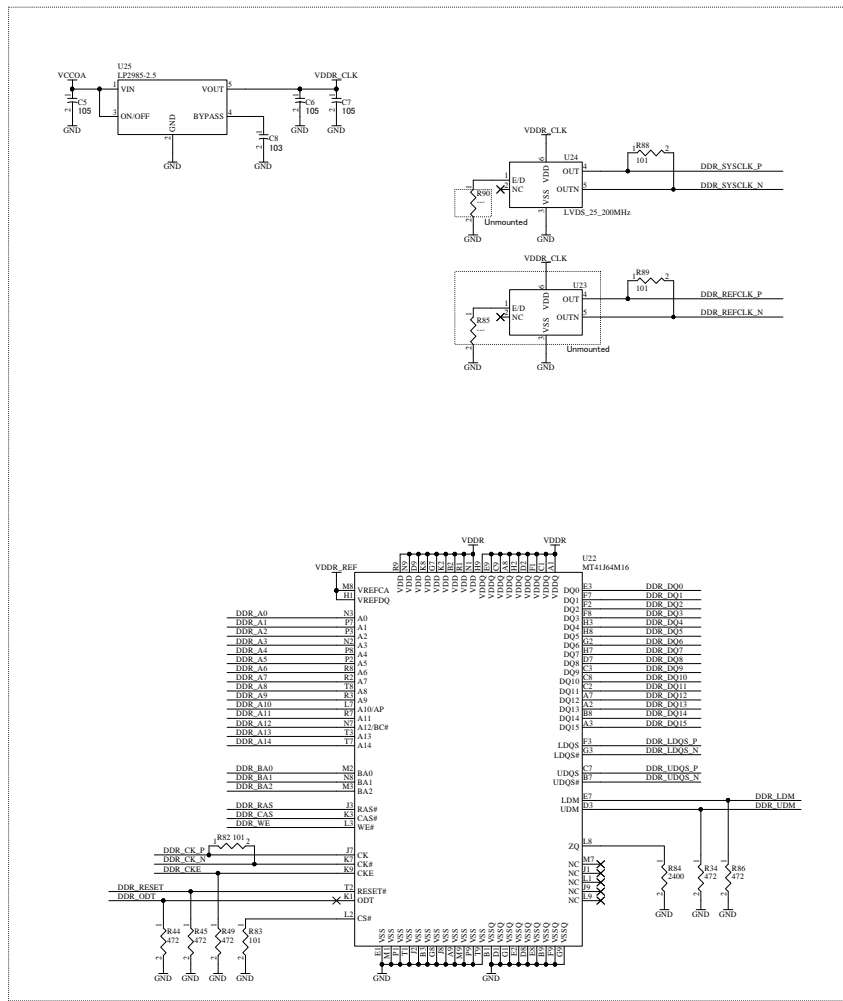


DSN	TITLE	KINTEX FBG484 FPGA Board			
DOC No.	XCM-022	E			
FILE	XCM022_IO.sch	DATE	2015/07/14 10:43:00	Sheet	2 / 4

XCM022ZR1-SCH-Edp

VS-3010107

V33A	V33A
VFB0	VFB0
VCCINT_10	VCCINT_10
VMGT_VCC_10	VMGT_VCC_10
VMGT_VT1_12	VMGT_VT1_12
VMGTAVCCAX_18	VMGTAVCCAX_18
VCCAX_K_18	VCCAX_K_18
VCCAXC_18	VCCAXC_18
V33A	V33A
VCCOA	VCCOA
VCCOB	VCCOB
GND	GND

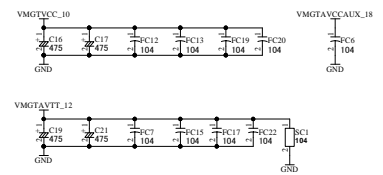
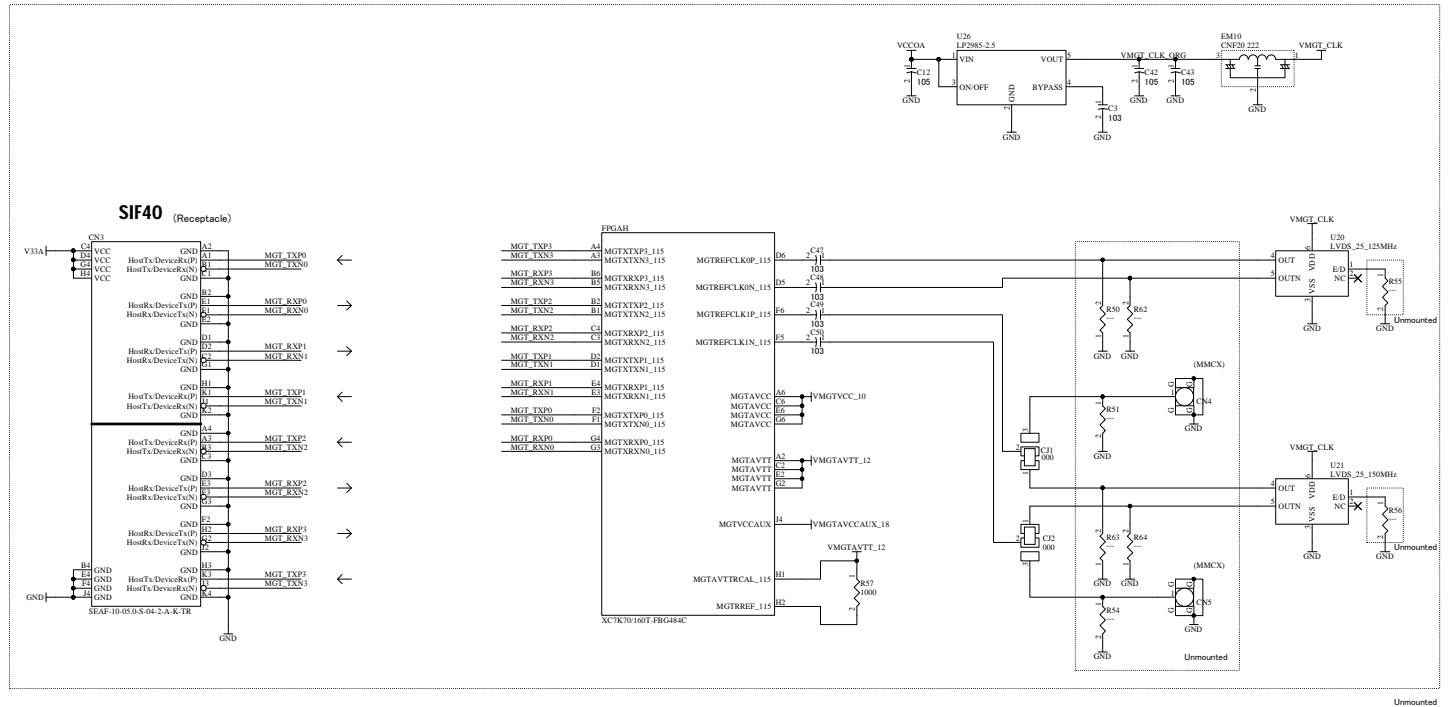


XCM022R1-SCH-E.pdf



DSN	TITLE	KINTEX FBG484 FPGA Board	
	DOC. No.	XCM-022	E
FILE: XCM022_Memory.sch		DATE: 2015/07/14 10:43:00	Sheet 3 / 4

V33A	V33A
VFB0	VFB0
VCCINT_10	VCCINT_10
VMGTAVCC_10	VMGTAVCC_10
VMGTAVTT_12	VMGTAVTT_12
VMGTAVCCAUX_18	VMGTAVCCAUX_18
VCCAUX_18	VCCAUX_18
VCCVAD_18	VCCVAD_18
VCCOA	VCCOA
VCCOB	VCCOB
GND	GND



XCM022R1-SCH-E.pdf



DSN	TITLE	KINTEX FBG484 FPGA Board	
DOC No.	XCM-022	E	
FILE	XCM022_RocketIO.sch	DATE	2015/07/14 10:43:00
Sheet	4	/	4