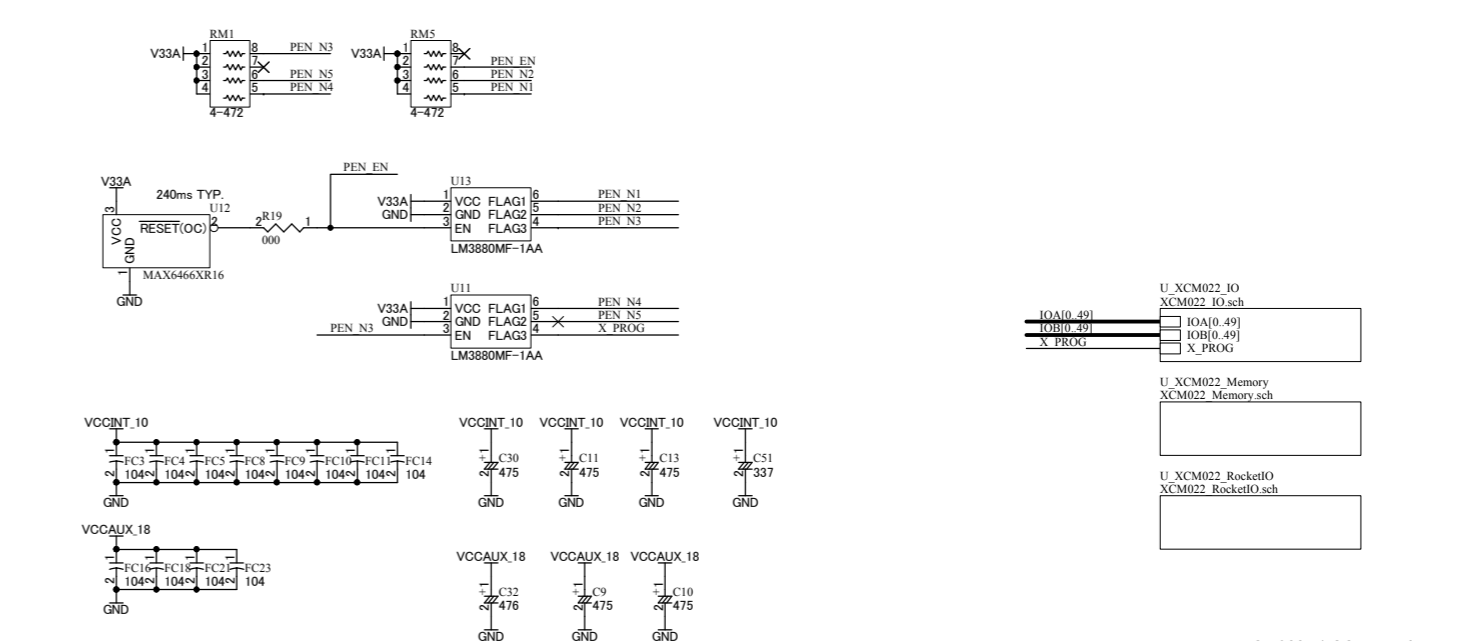
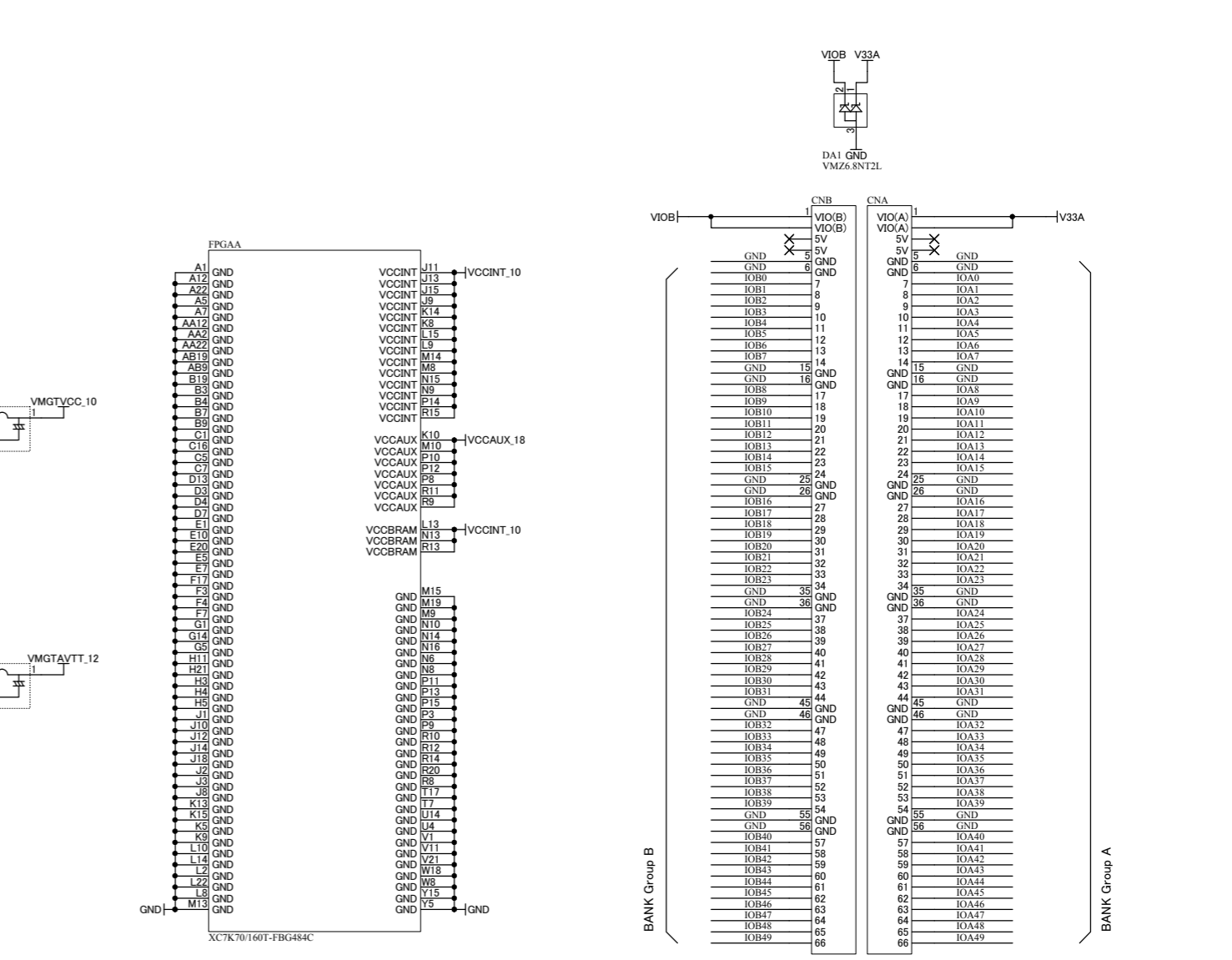
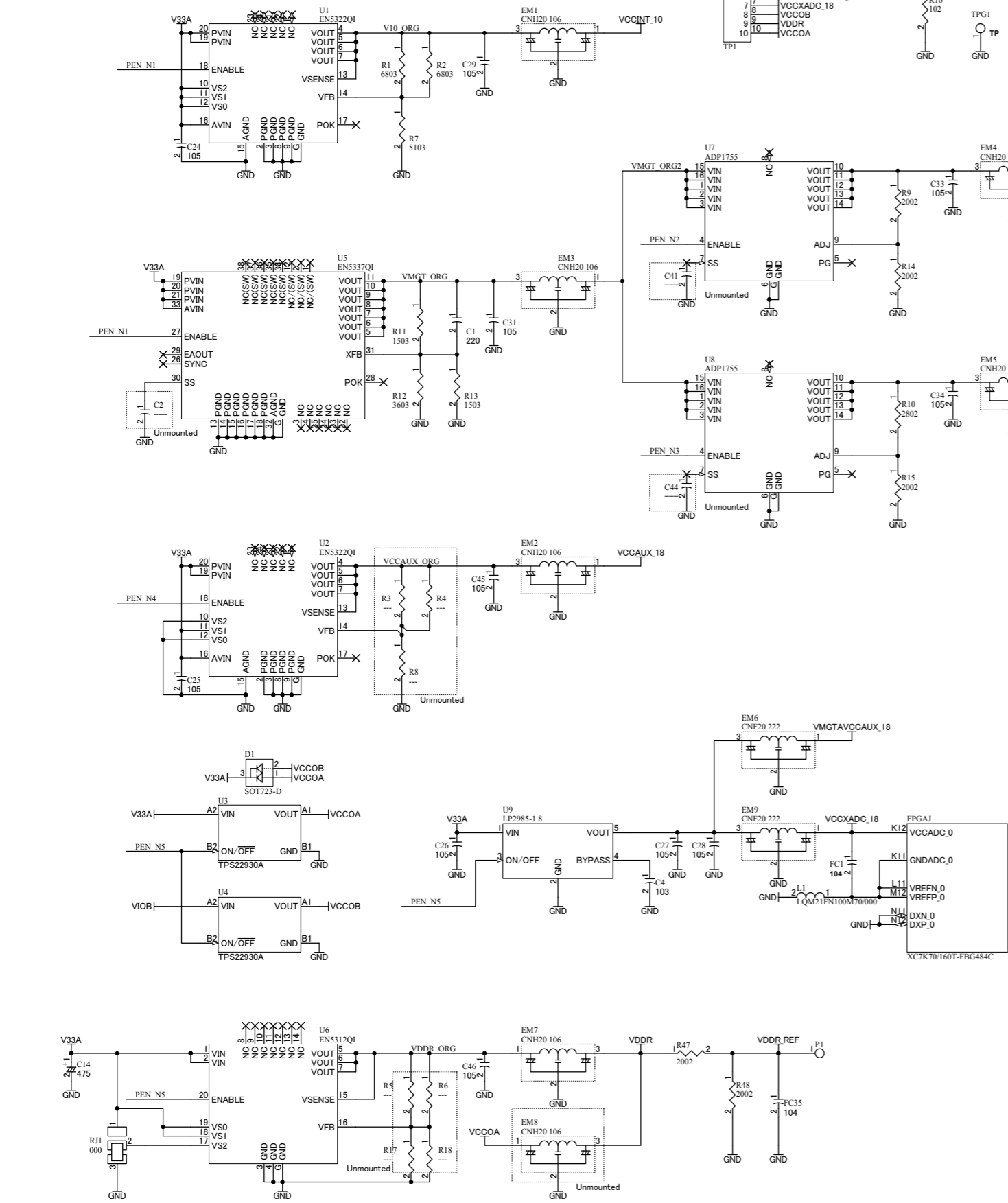


V33A	V33A
VIOB	VIOB
VCCINT_10	VCCINT_10
VMGTVCC_10	VMGTVCC_10
VMGTAVTT_12	VMGTAVTT_12
VMGTAVCCAUX_18	VMGTAVCCAUX_18
VCCAUX_18	VCCAUX_18
VCCXADC_18	VCCXADC_18
VCCOA	VCCOA
VCCOB	VCCOB
GND	GND



HUMAN DATA LTD.
OSAKA JAPAN
www.hdl.co.jp/en/(Global)
www.hdl.co.jp/(Japan)

KINTEX FBG484 FPGA Board

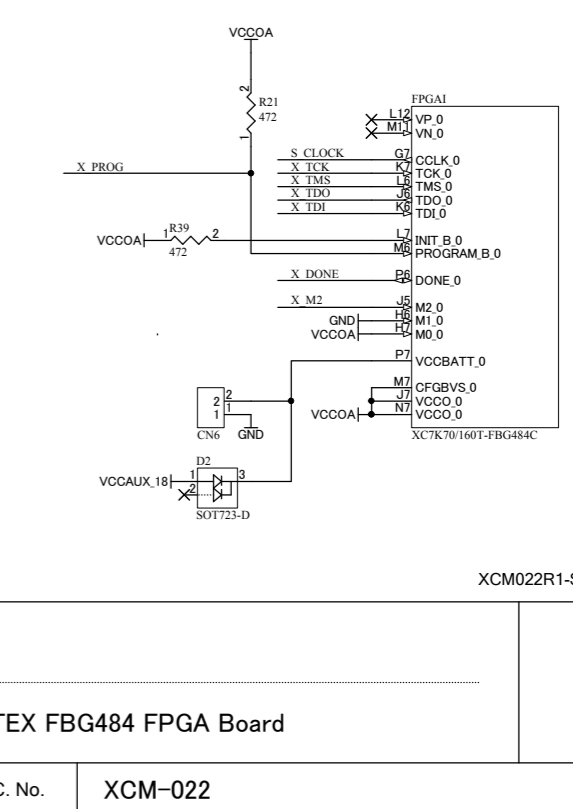
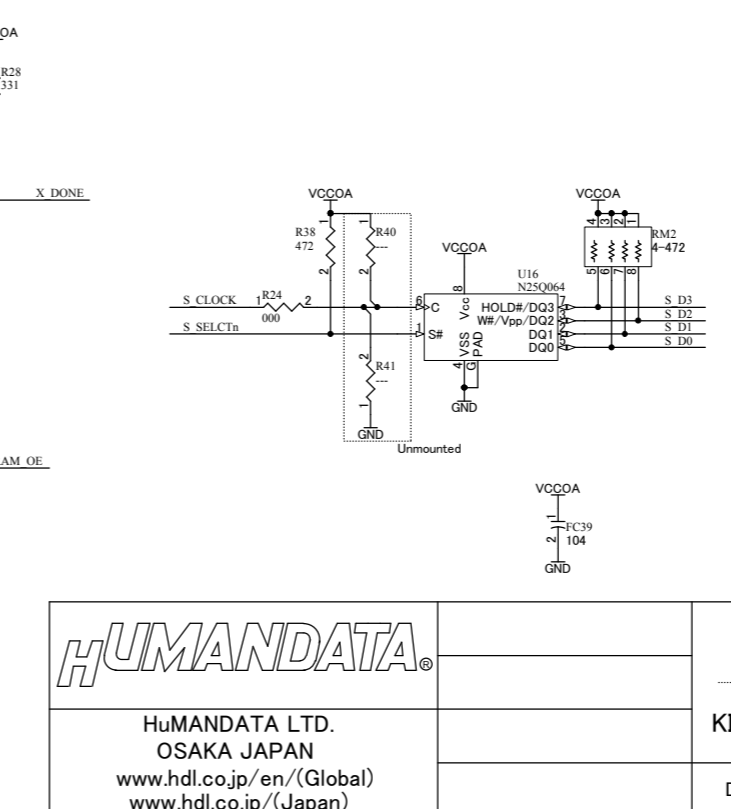
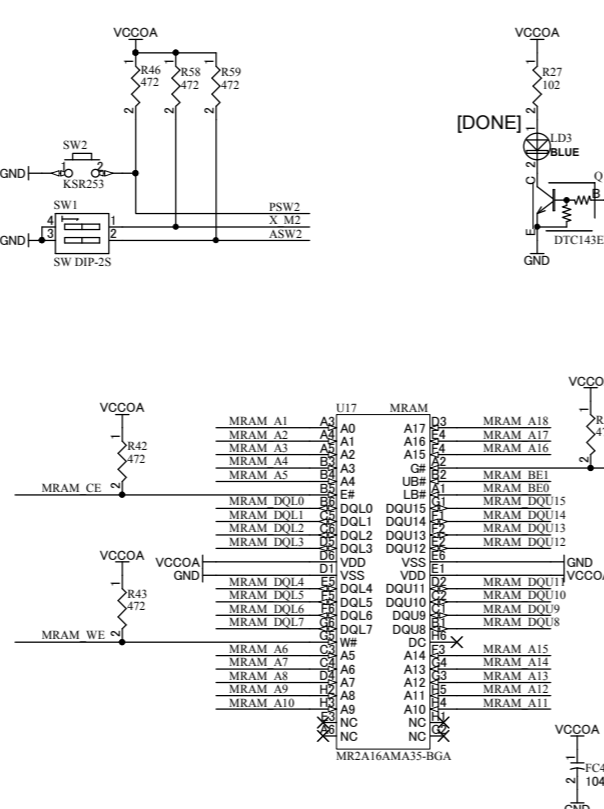
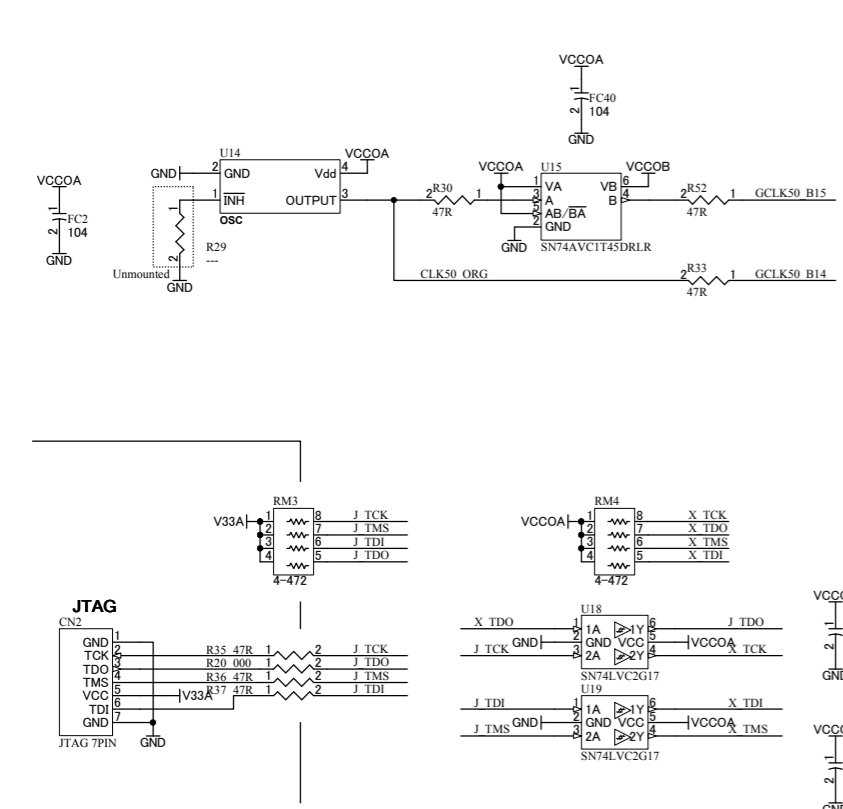
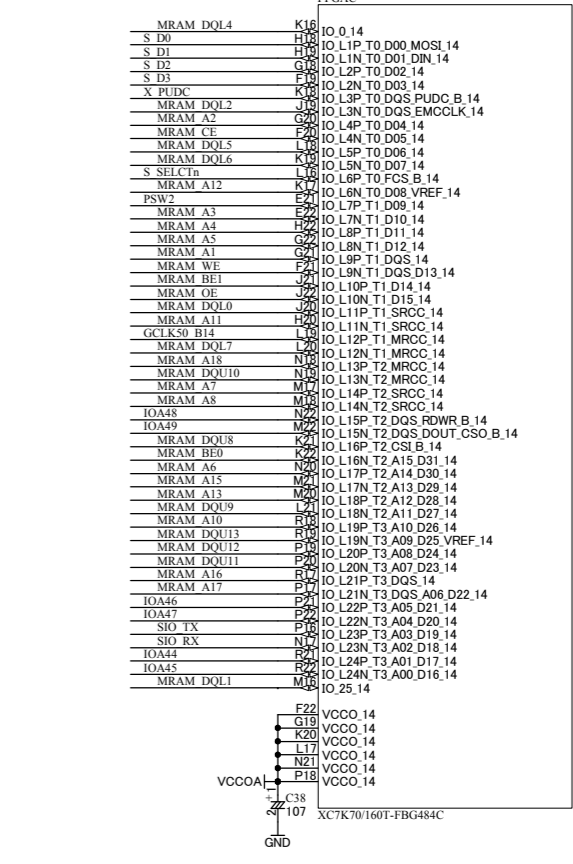
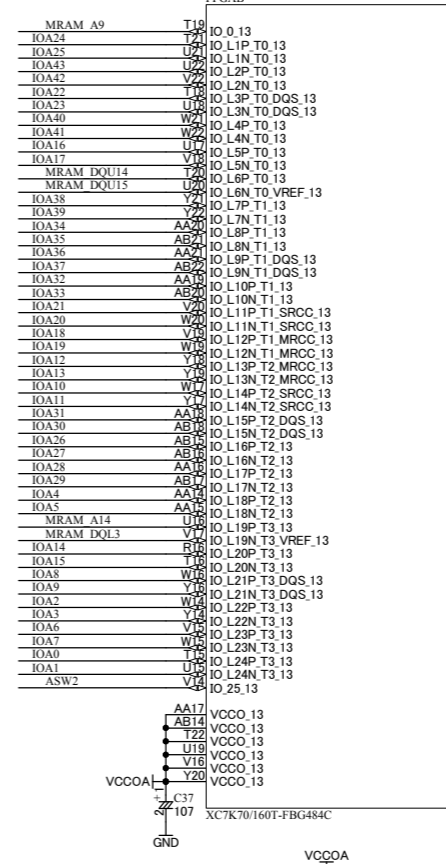
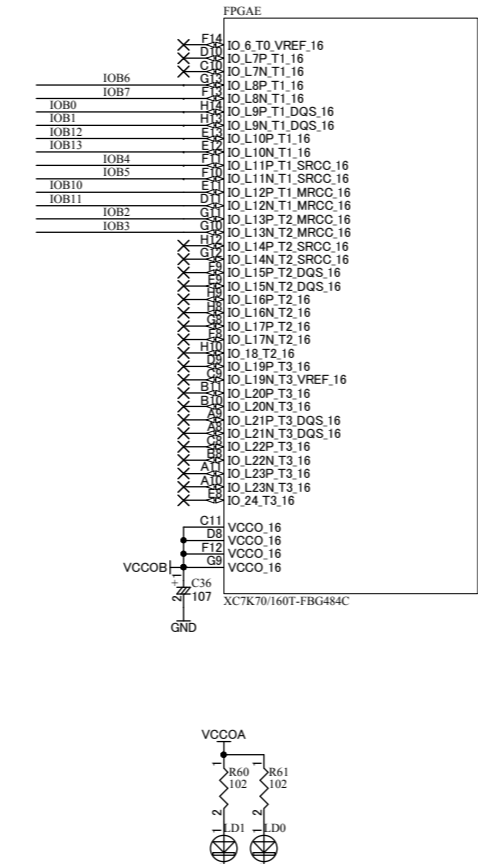
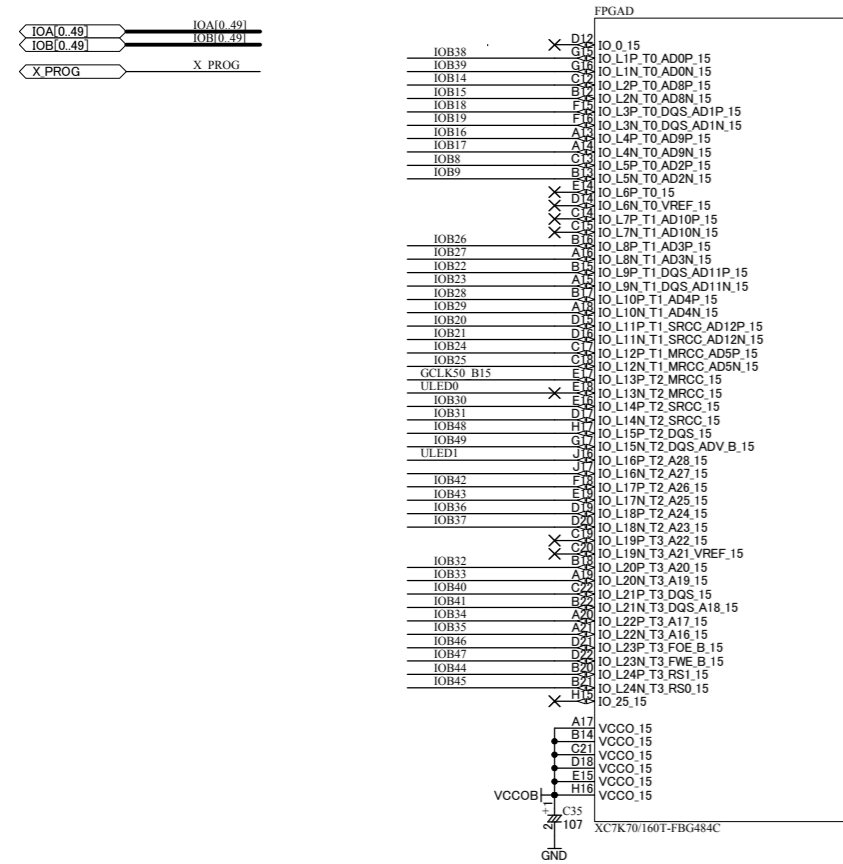
Date:	2013/10/11	13:58:59	File:	XCM022D.sch	
			DOC. No.	XCM-022	D
					Sheet 1 of 4

XCM022R1-SCH-D.pdf

V33A	V33A
VIOB	VIOB
VCCINT_10	VCCINT_10
VMGTVCC_10	VMGTVCC_10
VMGTAVTT_12	VMGTAVTT_12
VMGTAVCGAUX_18	VMGTAVCGAUX_18
VCCAUX_18	VCCAUX_18
VCCXADC_18	VCCXADC_18
VCCOA	VCCOA
VCCOB	VCCOB
GND	GND

BANK Group B

BANK Group A



HUMAN DATA

HuMANDATA LTD.
OSAKA JAPAN
www.hdl.co.jp/en/(Global)
www.hdl.co.jp/(Japan)

KINTEX FBG484 FPGA Board

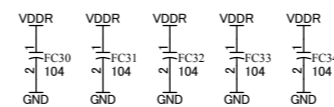
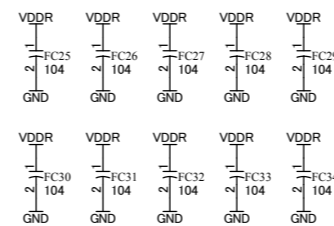
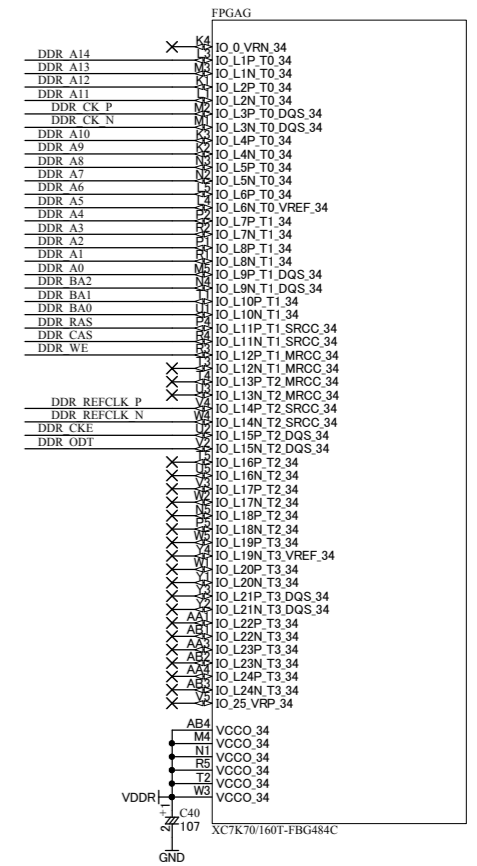
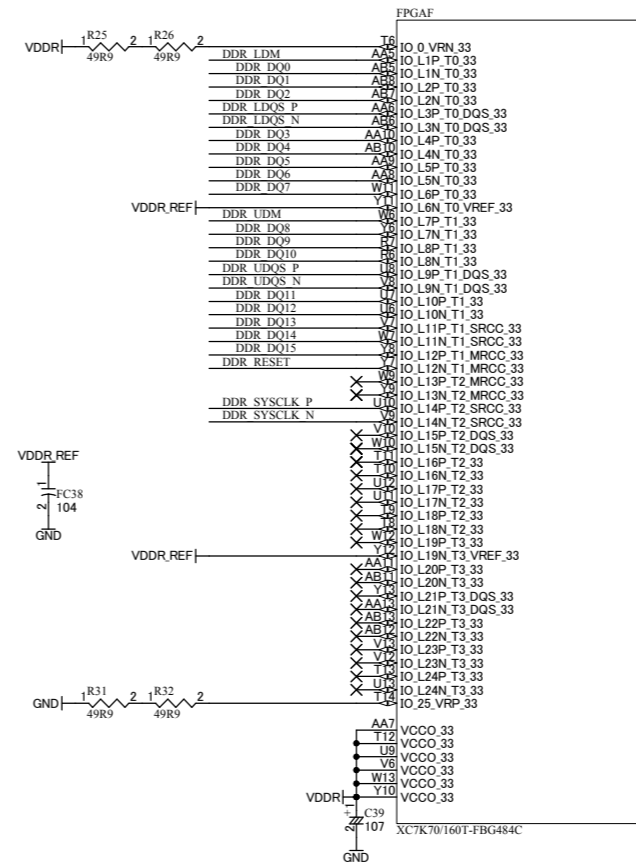
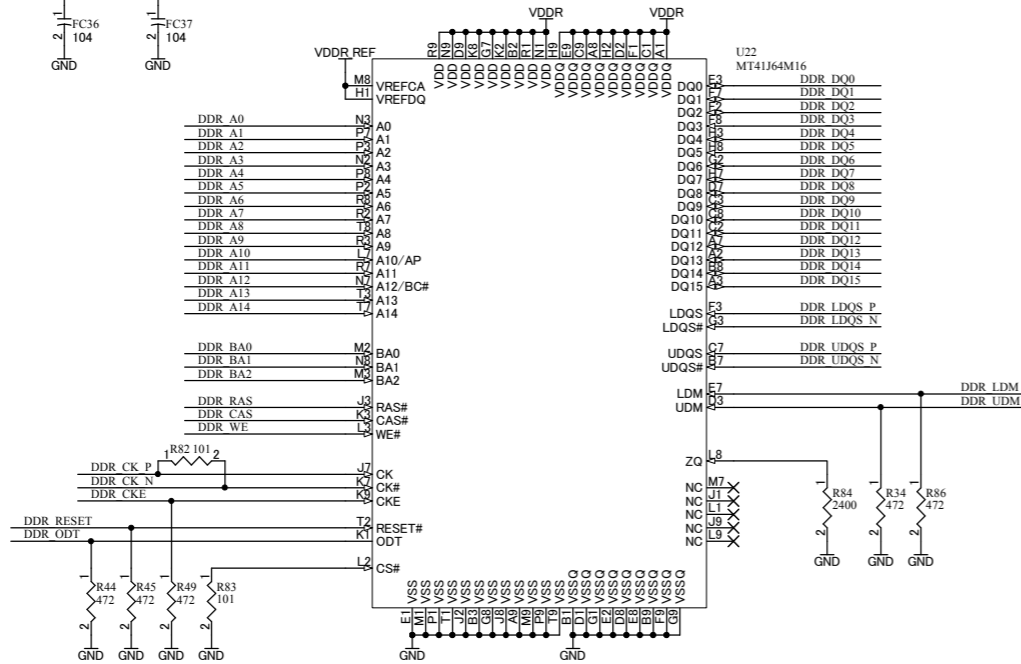
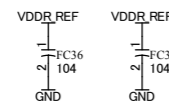
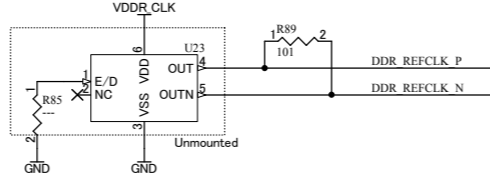
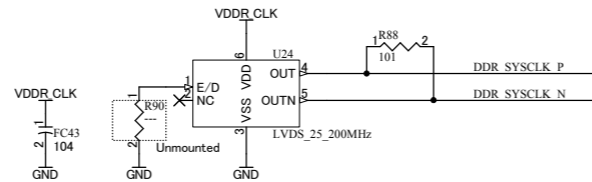
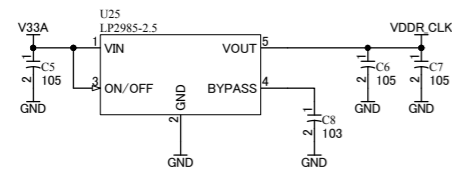
DOC. No. XCM-022

XCM022R1-SCH-D.pdf

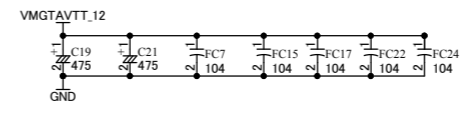
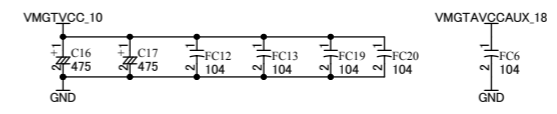
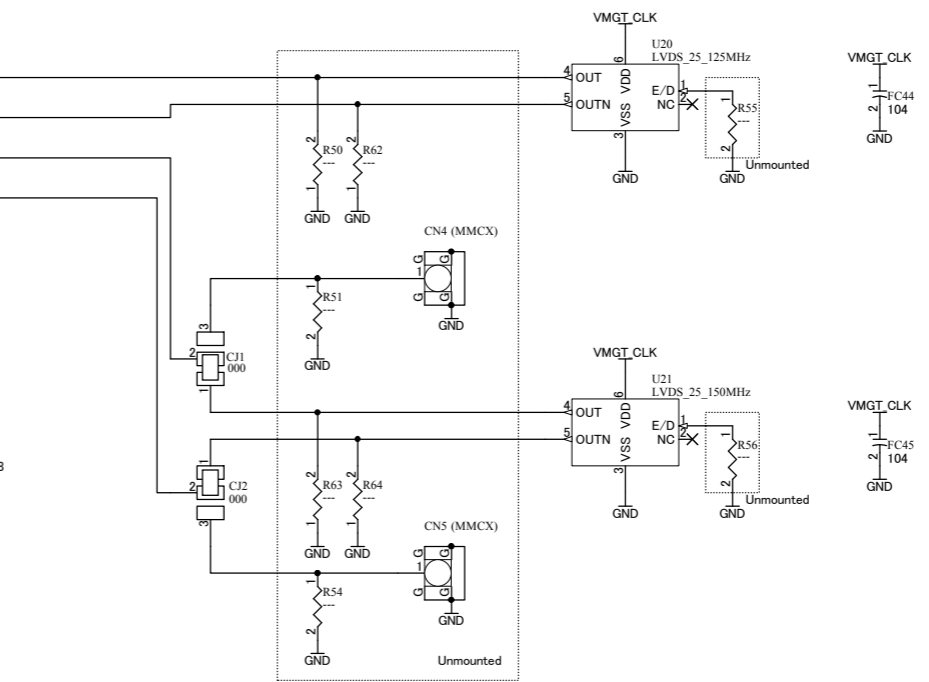
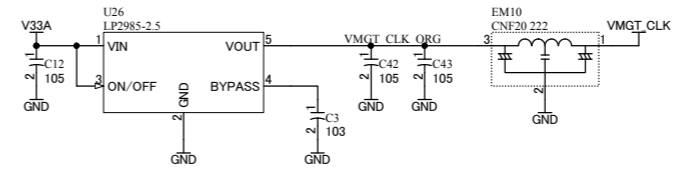
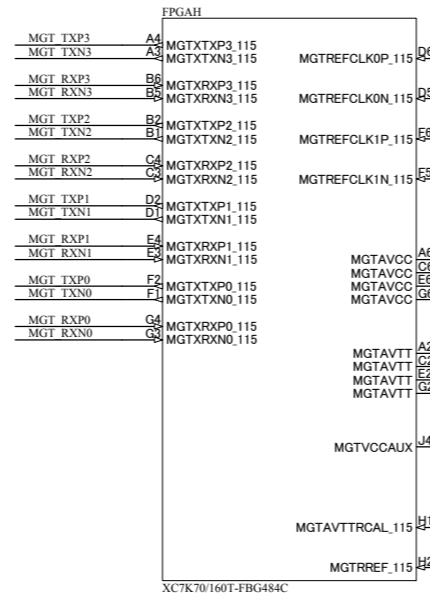
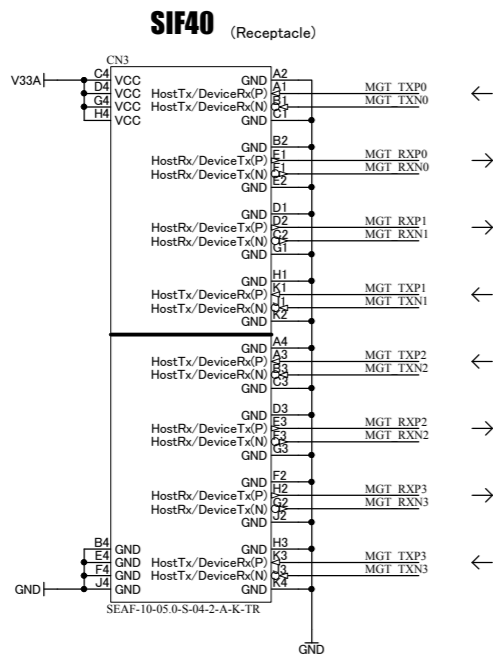
Sheet 2 of 4

Date: 2013/10/11 13:58:59 File: XCM022_IO.sch

V33A	V33A
VIOB	VIOB
VCCINT_10	VCCINT_10
VMGTAVCC_10	VMGTAVCC_10
VMGTAVTT_12	VMGTAVTT_12
VMGTAVCCAUX_18	VMGTAVCCAUX_18
VCCAUX_18	VCCAUX_18
VCCXADC_18	VCCXADC_18
VCCOA	VCCOA
VCCOB	VCCOB
GND	GND



V33A	V33A
VIOB	VIOB
VCCINT_10	VCCINT_10
VMGTAVCC_10	VMGTAVCC_10
VMGTAVTT_12	VMGTAVTT_12
VMGTAVCCAUX_18	VMGTAVCCAUX_18
VCCADC_18	VCCADC_18
VCCOA	VCCOA
VCCOB	VCCOB
GND	GND



		KINTEX FBG484 FPGA Board						
				DOC. No.	XCM-022			
Date:	2013/10/11	13:59:00	File:	XCM022_RocketIO.sch	Sheet	4	of	4