

XCM017R1-SCH-A2.pdf

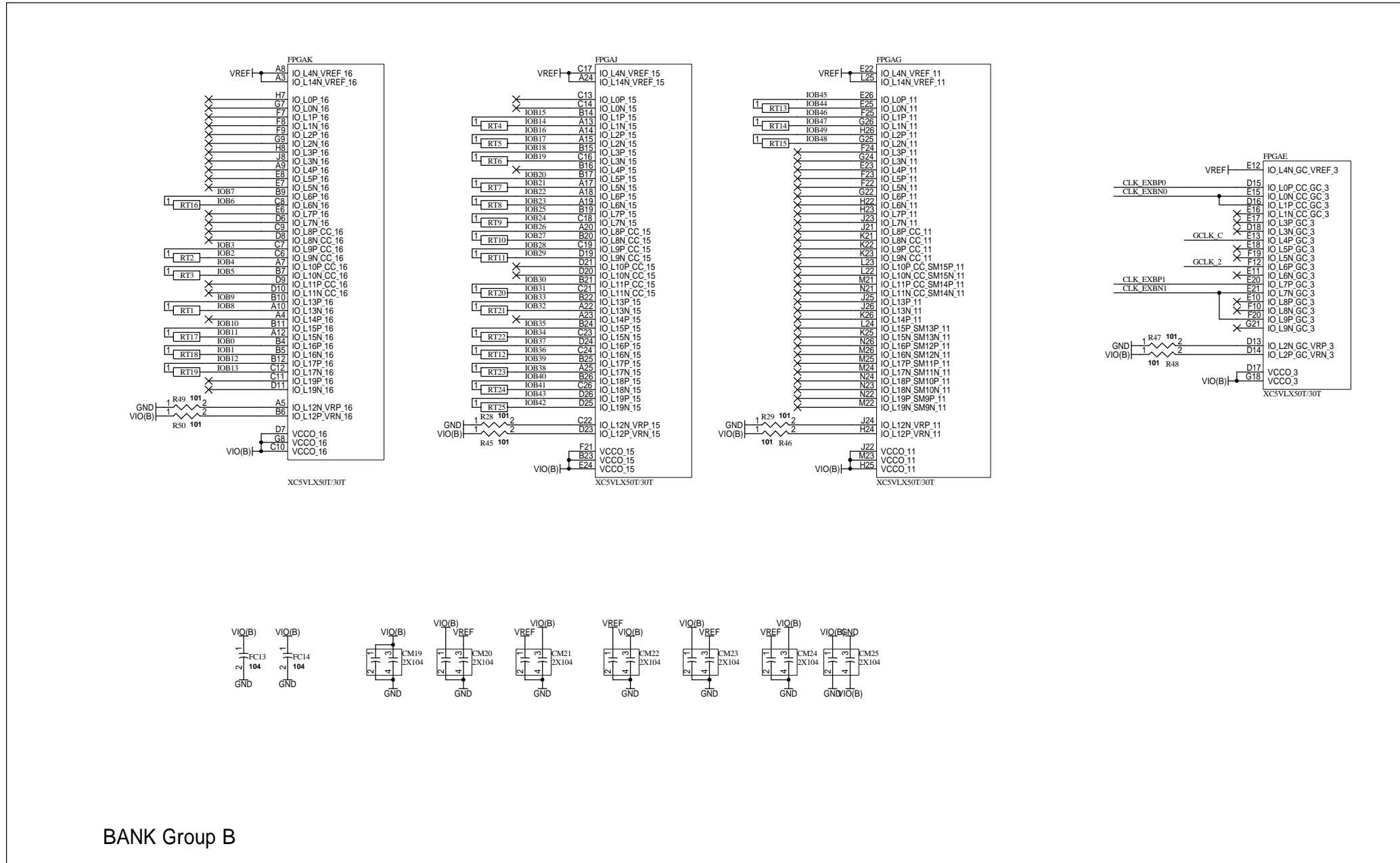


HuMANDATA LTD.
 OSAKA JAPAN
 www.hdl.co.jp/en/(Global)
 www.hdl.co.jp/(Japan)

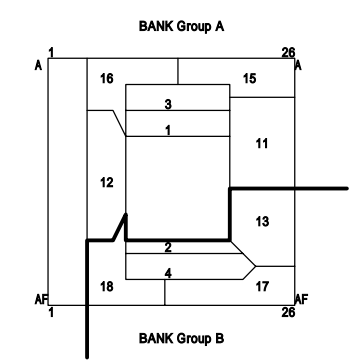
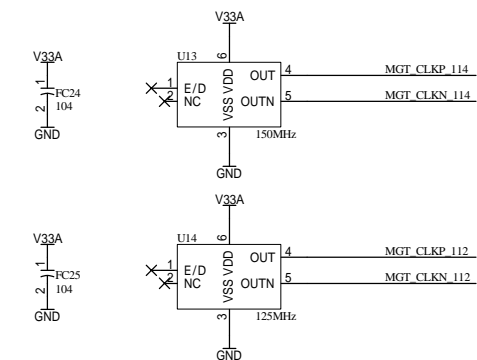
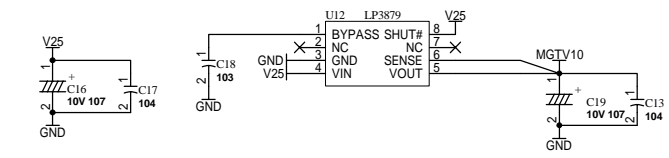
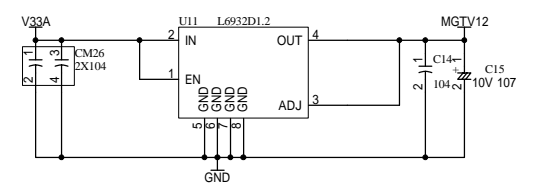
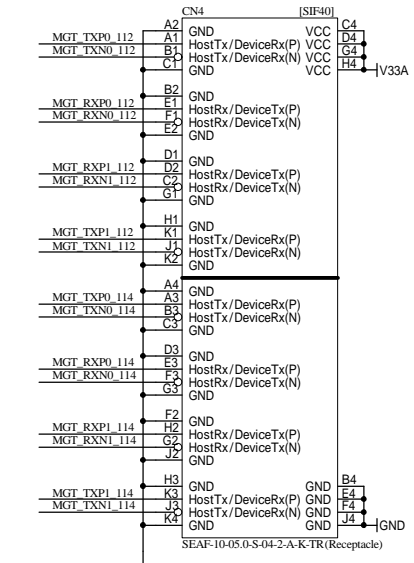
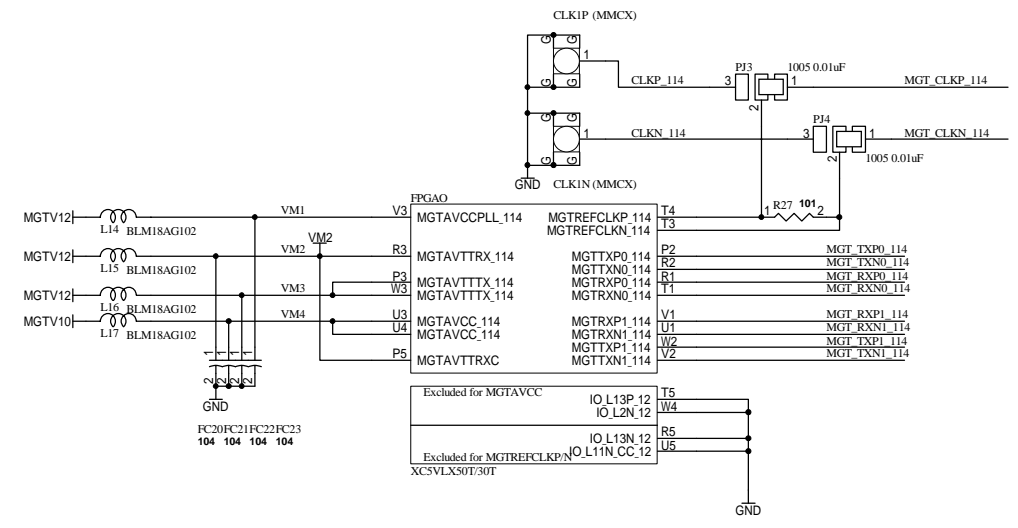
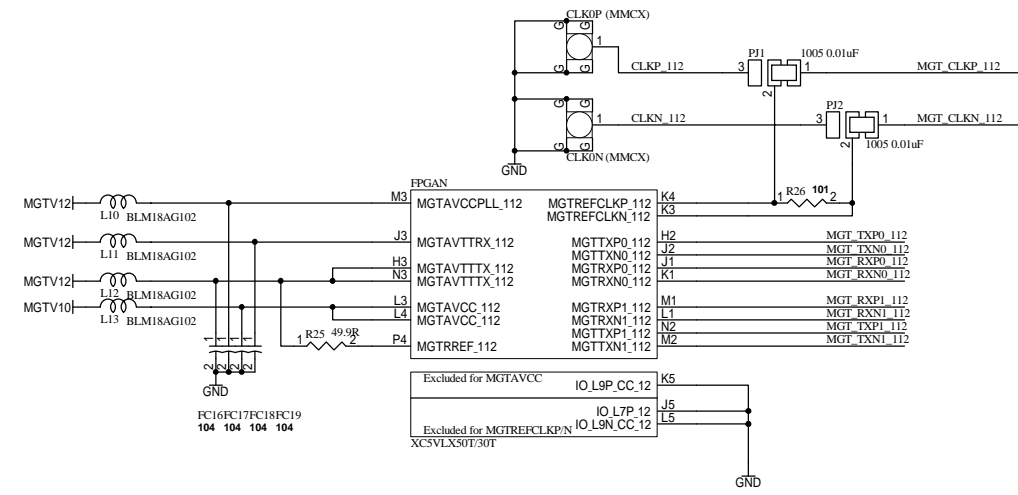
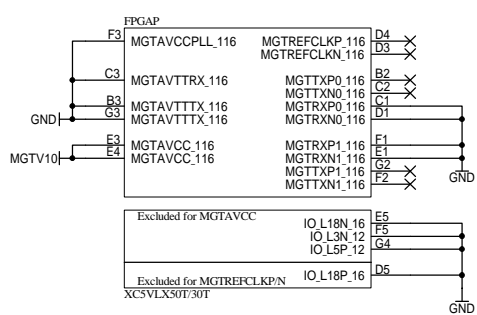
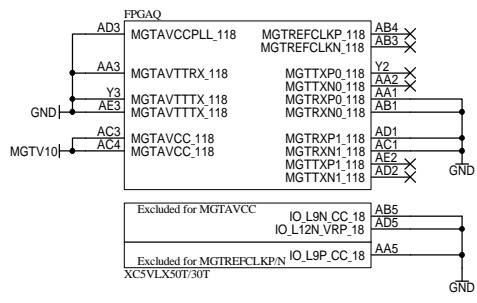
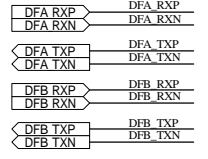
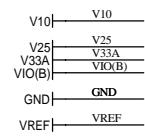
Virtex5 LX30T/50T FFG665 FPGA Board

V10 V10
 V25 V25
 V33A V33A
 VIO(B) VIO(B)
 GND GND
 VREF VREF

IOB[0..49] IOB[0..49]
 CLK_EXBP0 CLK_EXBP0
 CLK_EXBN0 CLK_EXBN0
 CLK_EXBP1 CLK_EXBP1
 CLK_EXBN1 CLK_EXBN1
 GCLK_2 GCLK_2
 GCLK_C GCLK_C



BANK Group B



XCM017R1-SCH-A2.pdf



HUMAN DATA LTD.
 OSAKA JAPAN
 www.hdl.co.jp/en/(Global)
 www.hdl.co.jp/(Japan)

Virtex5 LX30T/50T FFG665 FPGA Board

DOC. No. XCM-017

A2

Date: 11-Oct-2012 13:50:45

File: X5IOX.sch

Sheet 4 of 4