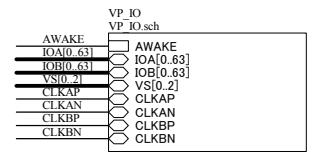
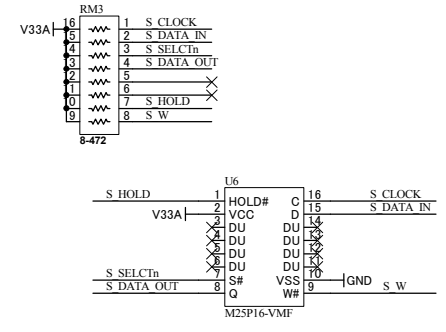
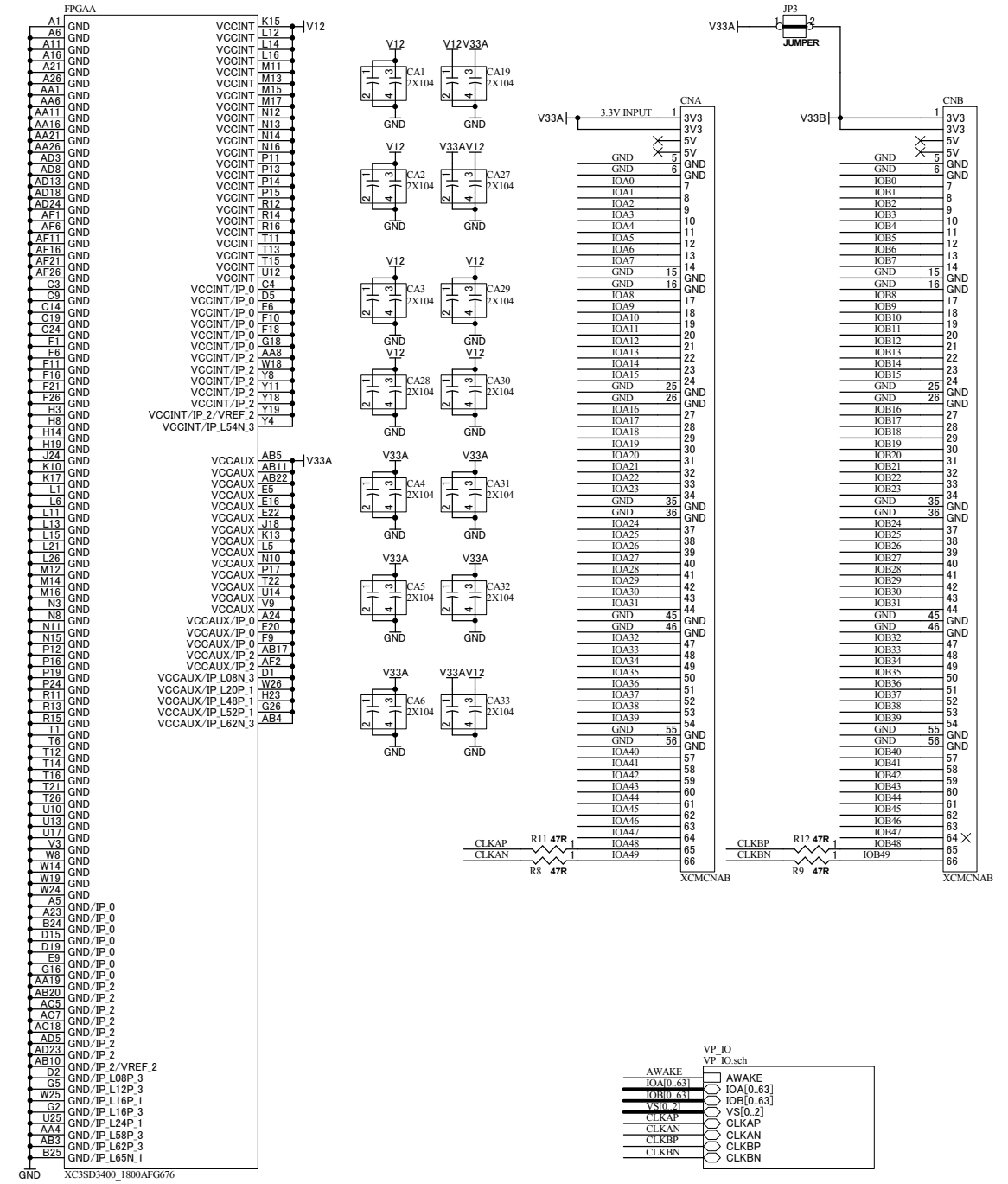
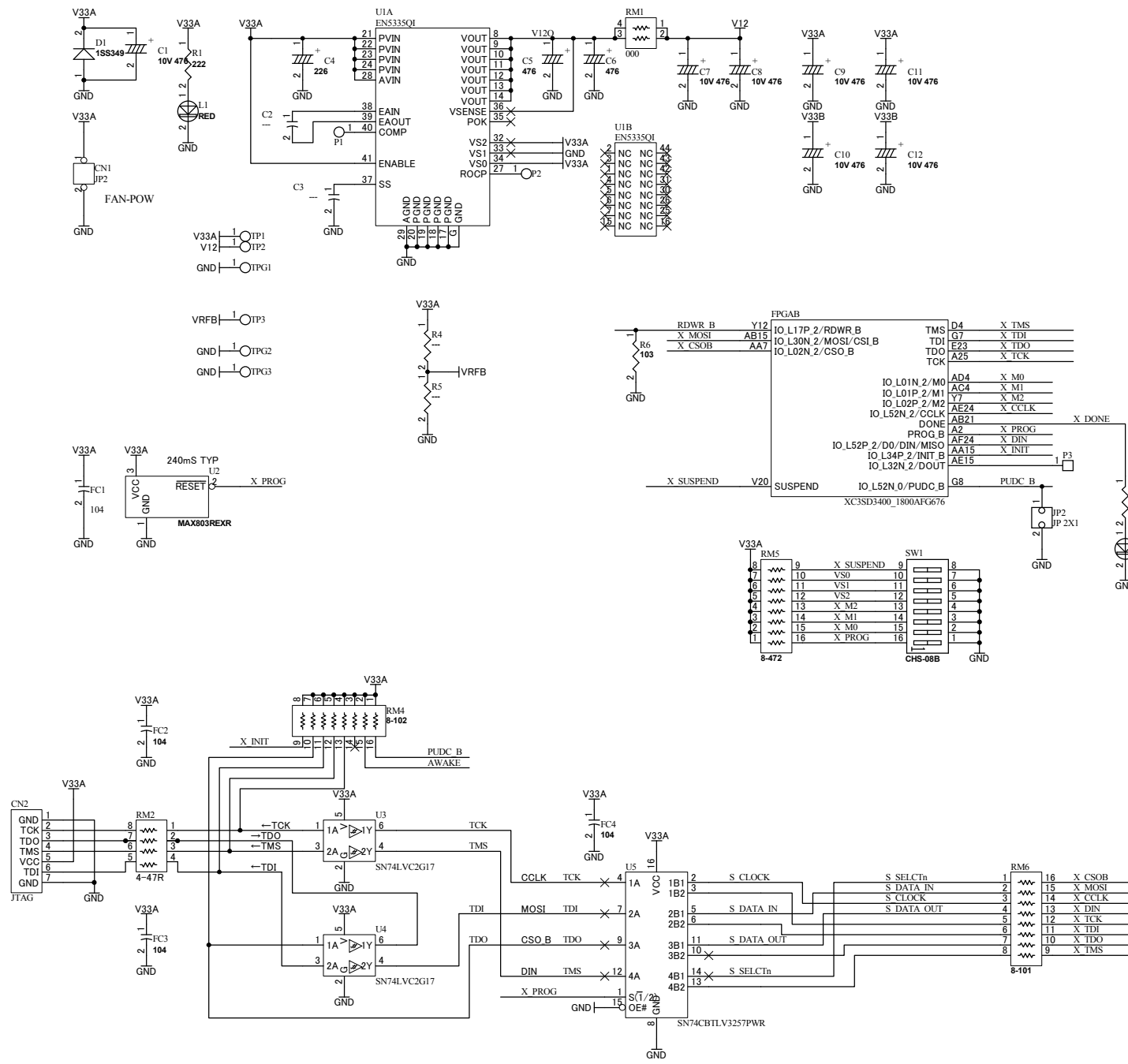


V12	V12
V33A	V33A
V33B	V33B
VRFA	VRFA
VRFB	VRFB
GND	GND



HUMANDATA

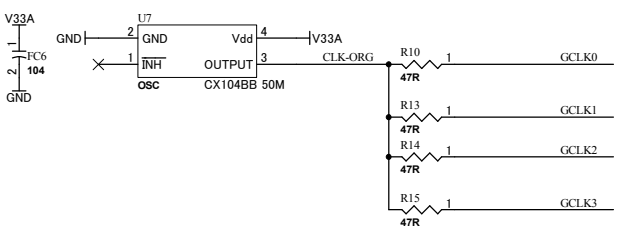
2009/03/19

HuMANDATA LTD.
OSAKA JAPAN
www.hdl.co.jp

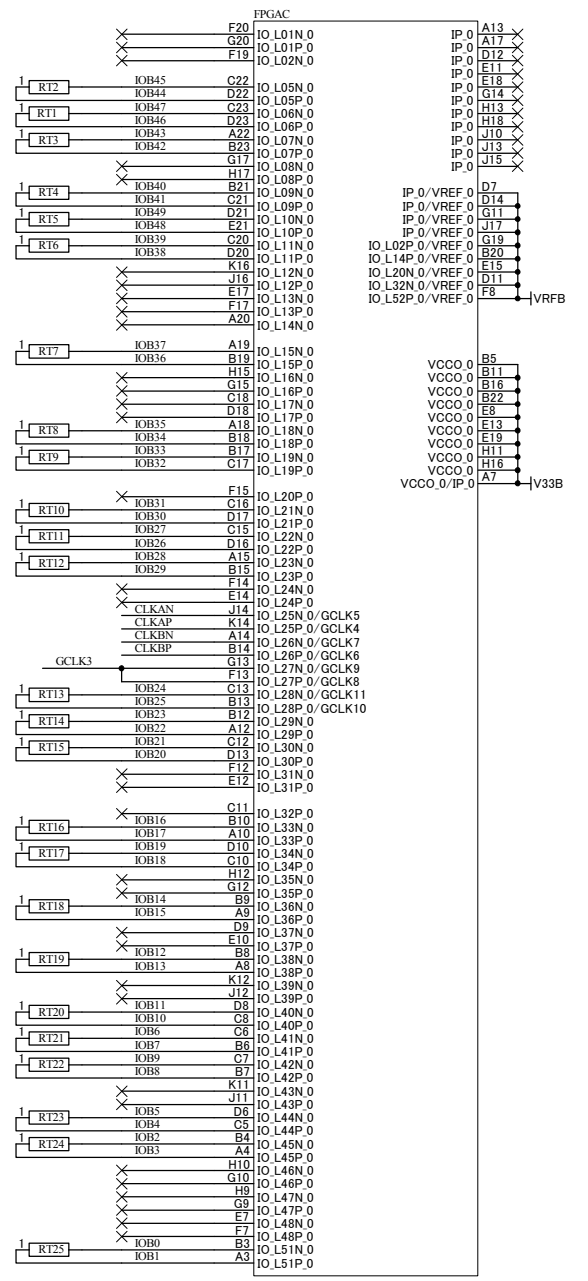
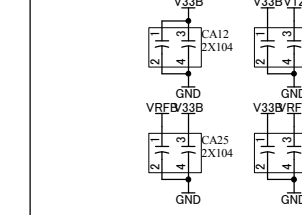
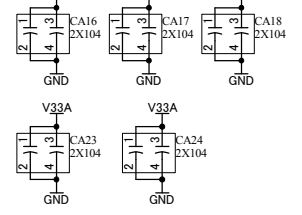
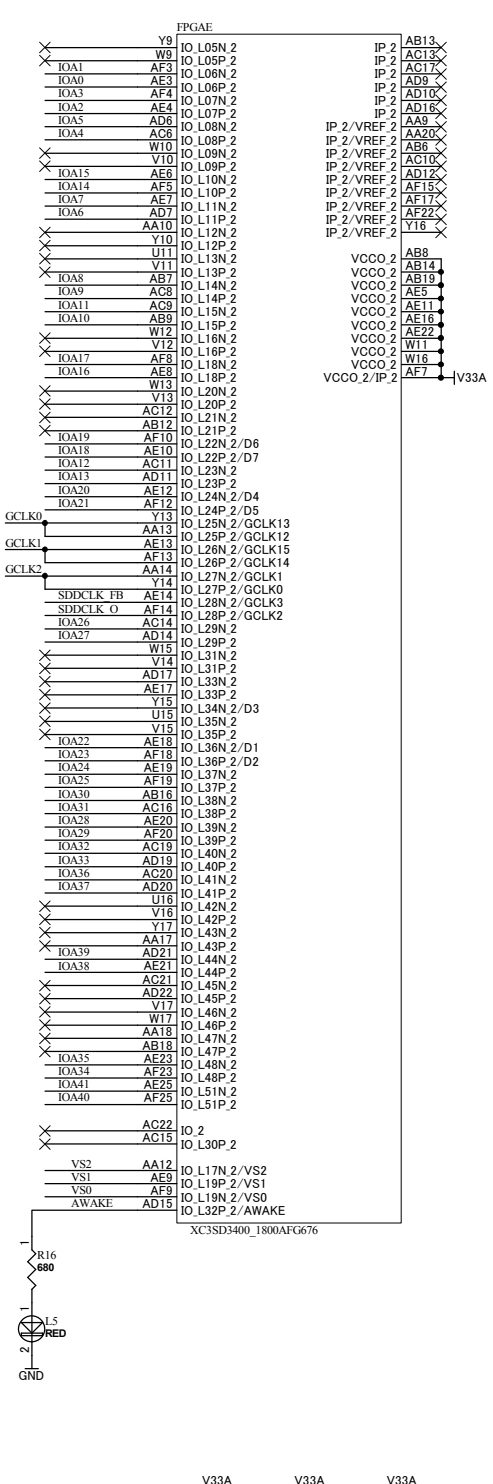
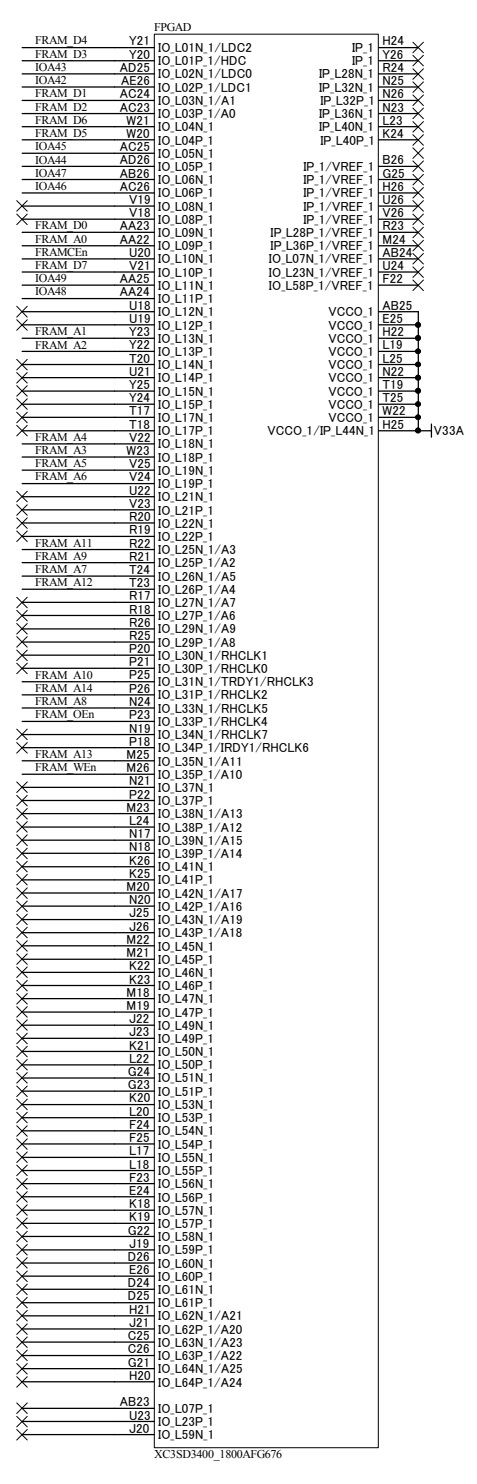
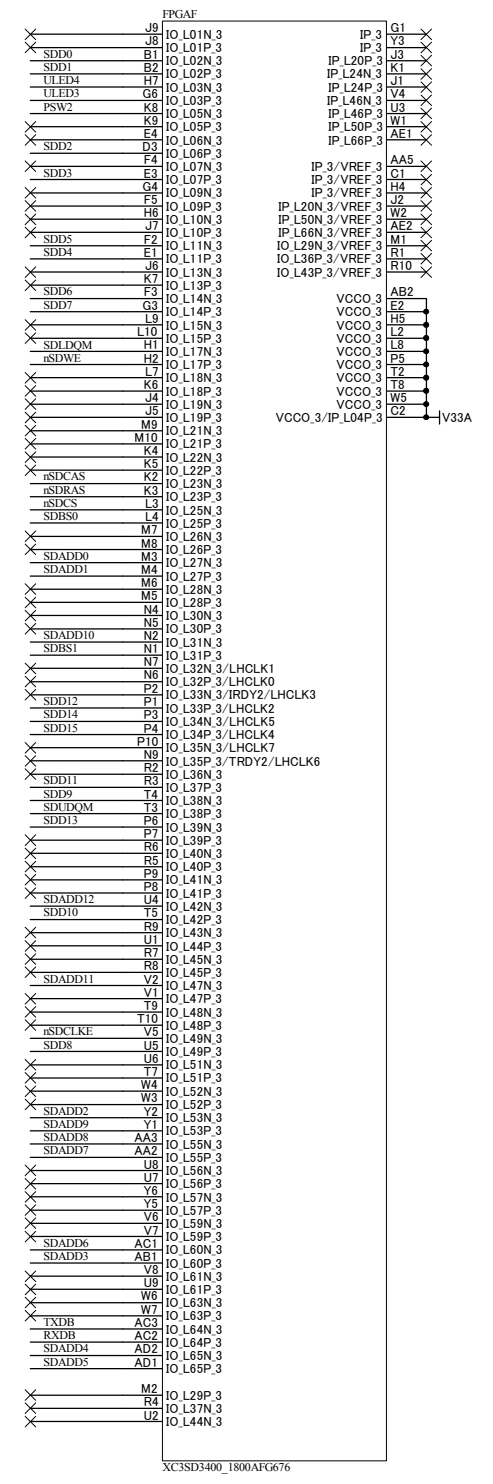
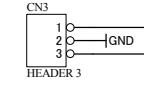
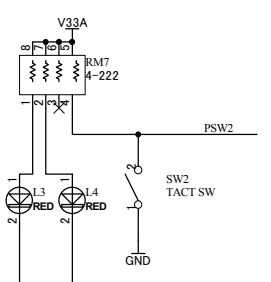
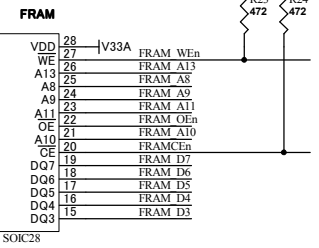
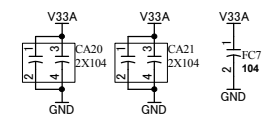
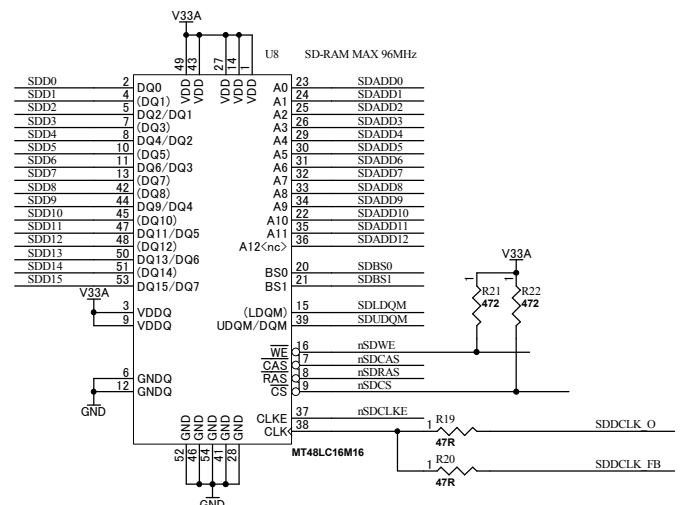
SPARTAN-3ADSP 1800/3400 FPGA MODULE(FG676)

Date:	19-Mar-2009	15:36:20	File:	XCM016A.sch	Sheet	1	of	2
-------	-------------	----------	-------	-------------	-------	---	----	---

V12 V12
V33A V33A
V33B V33B
VREFA VREFB
VREFB VREFB
GND GND



AWAKE AWAKE
VSI0_2 VSI0_2
IOA[0..63] IOA[0..63]
IOB[0..63] IOB[0..63]
CLKAP CLKAP
CLKAN CLKAN
CLKBP CLKBP
CLKBN CLKBN



HUMAN DATA
HuMANDATA LTD.
OSAKA JAPAN
www.hdl.co.jp

SPARTAN-3ADSP 1800/3400 FPGA MODULE(FG676)