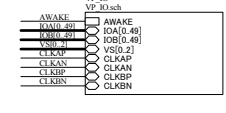
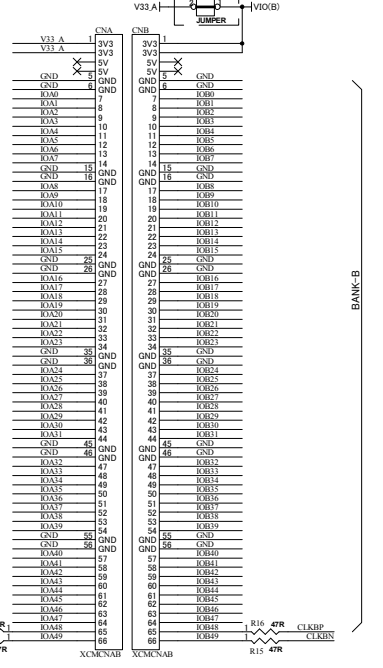
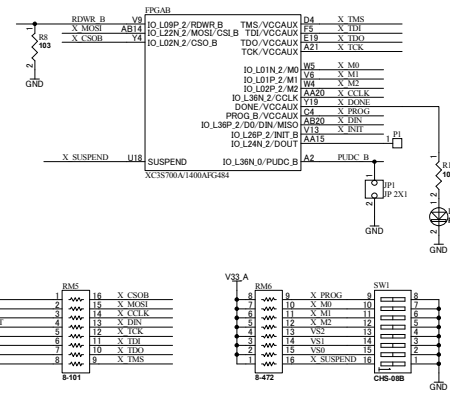
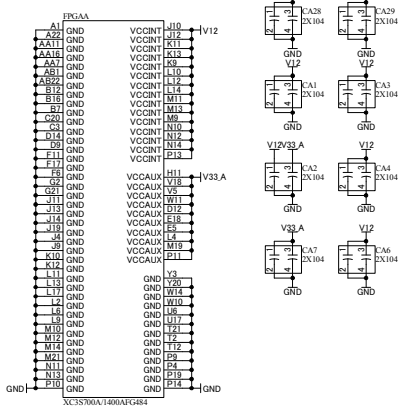
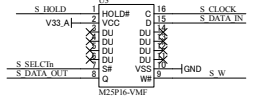
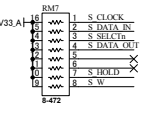
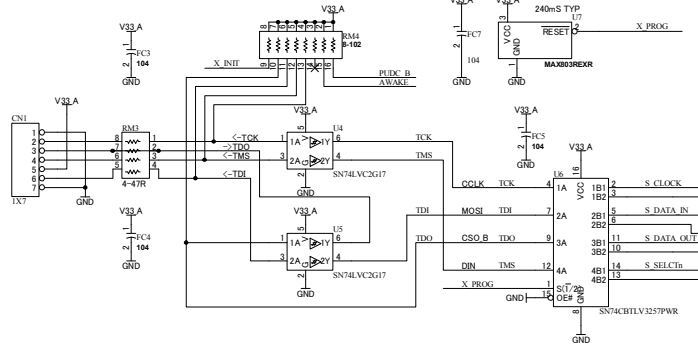
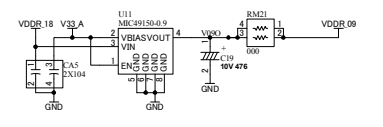
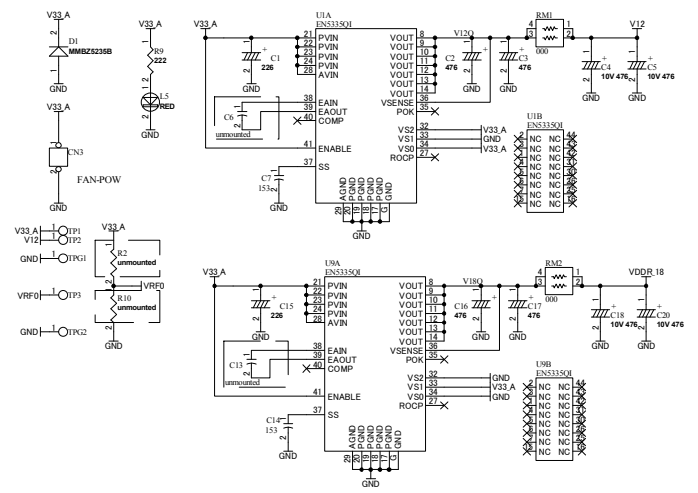


V12 V12_A
 V33_A V33_B
 VRF0 VRF0
 GND GND

VDDR_09 VDDR_09
 VDDR_18 VDDR_18



XCM015R1-SCH-B3.pdf
 TITLE: SPARTAN-3A FGG484 FPGA Board

DOC: XCM-015
 FILE: XCM015B.sch DATE: 23-May-2017 13:16:21 Sheet 1 / 2



